

**PLEASE CHECK WWW.MOLEX.COM FOR LATEST PART INFORMATION**

**Part Number:** **0749603018**  
**Status:** **Active**  
**Overview:** tdp triad differential pair  
**Description:** 1.27mm (.050") Pitch TDP® (Triad® Differential Pair) PCIe x 1 Receptacle, Right Angle, Surface Mount, with PCB Press-Fit Pegs, 18 Circuits

**Documents:**

[3D Model](#) [Product Specification PS-74960-000 \(PDF\)](#)  
[Drawing \(PDF\)](#) [RoHS Certificate of Compliance \(PDF\)](#)

**Agency Certification**

CSA LR19980  
 UL E29179

**General**

Product Family I/O Connectors  
 Series [74960](#)  
 Application Wire-to-Board  
 Component Type Receptacle  
 MolexKits Yes  
 Overview tdp triad differential pair  
 Product Name PCI Express\*, TDP®  
 Type N/A

**Physical**

Circuits (Loaded) 18  
 Circuits (maximum) 18  
 Color - Resin Black  
 Flammability 94V-0  
 Lock to Mating Part Yes  
 Material - Metal Beryllium Copper  
 Material - Plating Mating Gold  
 Material - Plating Termination Tin  
 Material - Resin High Temperature Thermoplastic  
 Orientation Right Angle  
 PCB Locator Yes  
 PCB Retention Yes  
 Packaging Type Embossed Tape on Reel  
 Panel Mount Yes  
 Pitch - Mating Interface (in) 0.050 In  
 Pitch - Mating Interface (mm) 1.27 mm  
 Plating min: Mating (µin) 15  
 Plating min: Mating (µm) 0.38  
 Plating min: Termination (µin) 100  
 Plating min: Termination (µm) 2.5  
 Polarized to Mating Part Yes  
 Surface Mount Compatible (SMC) N/A  
 Temperature Range - Operating -20°C to +85°C  
 Termination Interface: Style Surface Mount  
 Wire Size AWG N/A

**Electrical**

Current - Maximum per Contact 1.5A  
 Grounding to Panel Screw Hole  
 Shielded Yes  
 Voltage - Maximum 40V



**EU RoHS**

**RoHS Compliant by Exemption**

**REACH SVHC**

**Contains SVHC: No**

**Halogen-Free**

**Status**

**Halogen-Free**

**China RoHS**



Pb

**Need more information on product environmental compliance?**

Email [productcompliance@molex.com](mailto:productcompliance@molex.com)  
 For a multiple part number RoHS Certificate of Compliance, [click here](#)

Please visit the [Contact Us](#) section for any non-product compliance questions.

**Search Parts in this Series**

[74960Series](#)

**Mates With**

[75000 Plug](#)

**Use With**

[74962 Jack Posts](#)

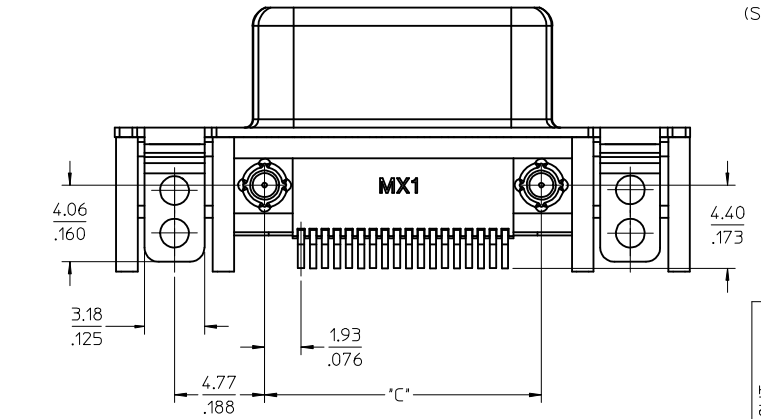
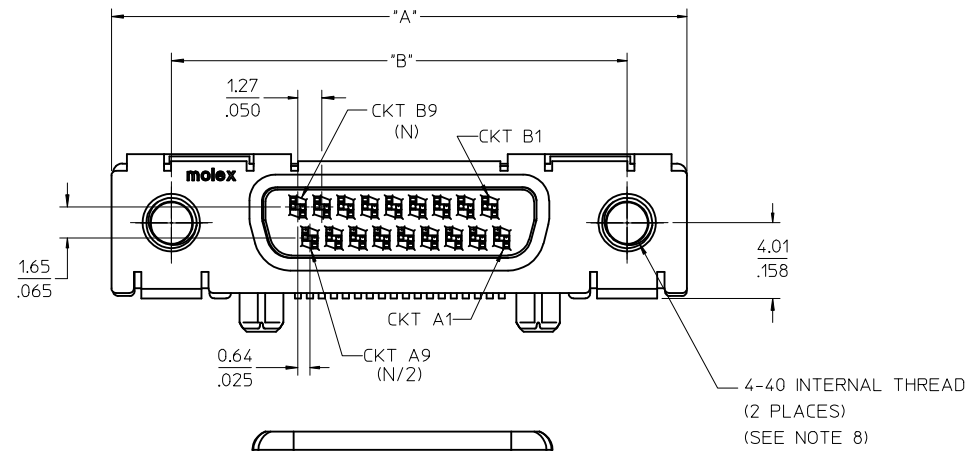
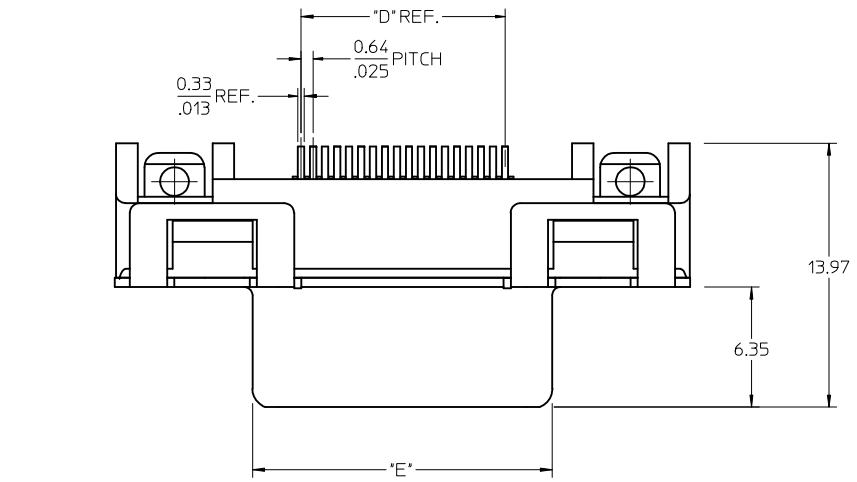
## Material Info

### Reference - Drawing Numbers

Application Specification	AS-74960-100
Packaging Specification	PK-74960-995
Product Specification	PS-74960-000
Sales Drawing	SD-74960-010

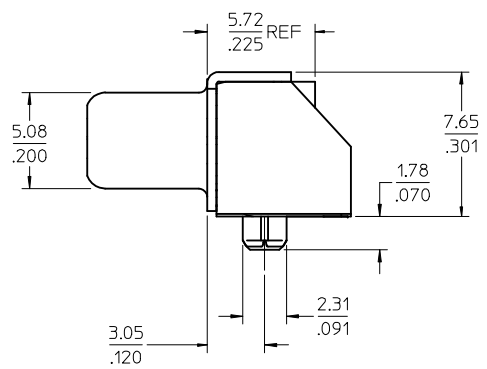
This document was generated on 06/07/2010

**PLEASE CHECK [WWW.MOLEX.COM](http://WWW.MOLEX.COM) FOR LATEST PART INFORMATION**



NOTES:

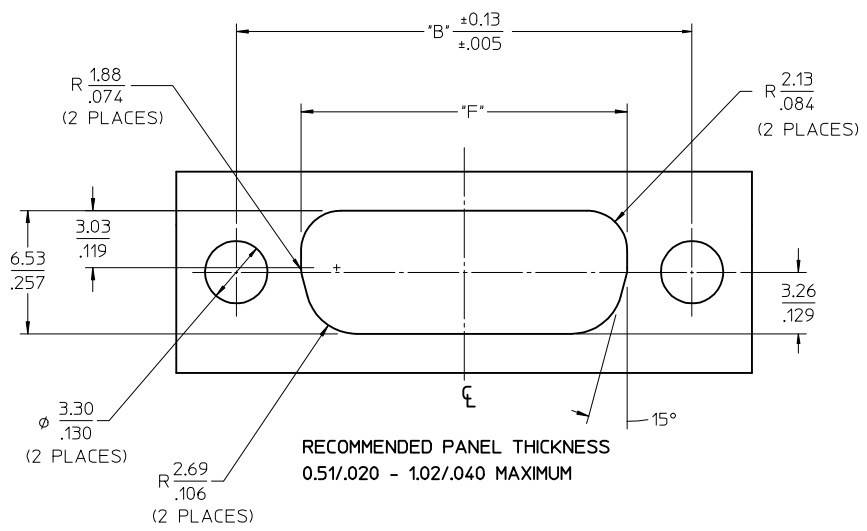
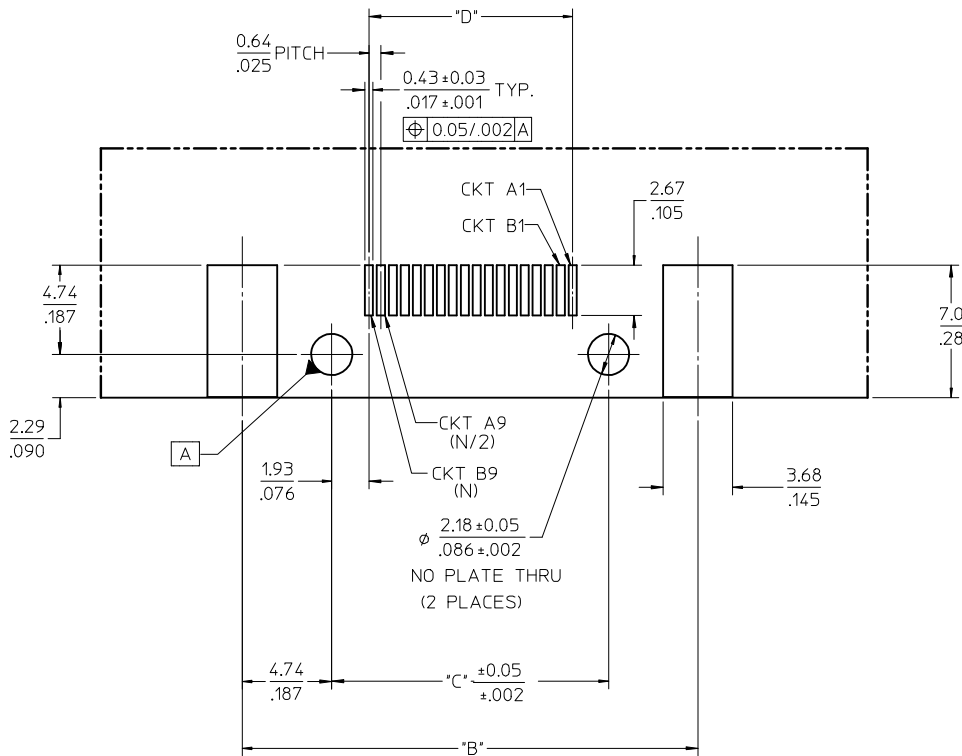
1. MATERIALS:  
SHIELD - DEEP DRAWN STEEL  
HOUSING - GLASS FILLED POLYMER, BLACK, UL 94V-0  
CONTACTS - COPPER ALLOY
2. PLATING:  
TERMINALS - SELECTIVE GOLD (Au) THICKNESS IN CONTACT AREA, 0.38 MICROMETERS/15 MICROINCHES MINIMUM;  
SELECTIVE MATTE TIN (Sn) THICKNESS IN PC TAIL AREA, 2.54 MICROMETERS/100 MICROINCHES MINIMUM;  
OVER NICKEL (Ni) UNDERPLATE OVERALL.  
SHIELD - 2.54 MICROMETERS/100 MICROINCHES MINIMUM MATTE TIN (Sn)  
OVER 1.27 MICROMETERS/50 MICROINCHES MINIMUM NICKEL (Ni)  
OVER COPPER (Cu) UNDERPLATE OVERALL.
3. PC SMT TAILS AND 2 GROUND TABS ARE TO BE COPLANAR WITHIN 0.127/0.005.
4. PARTS TO BE PACKAGED IN TAPE AND REEL. SEE CHART ON SHEET 2 FOR PACKAGING SPECIFICATION.
5. REFER TO SHEET 2 FOR RECOMMENDED PCB LAYOUT AND PANEL CUT-OUT.
6. RECOMMENDED JACK POST MOUNTING HARDWARE (QTY 2 PER ASSEMBLY), SEE CHART FOR ITEM NUMBERS AND SALES DRAWING SD-74962-000.
7. PRODUCT CONFORMS TO MOLEX PRODUCT SPECIFICATION PS-74960-000.
8. FOR TDP RECEPTACLE WITH M3 INTERNAL THREAD OPTION CONTACT PRODUCT MARKETING.



REVISED PIN OUT EC NO: UCP2009-3097 DRWN: JJANTELEZ 6/22/09 CHKD: 2009/08/14 APPR: MBANAKIS 2009/08/14	QUALITY SYMBOLS ▽ - 0 ∇ - 0	GENERAL TOLERANCES (UNLESS SPECIFIED)		SCALE 5:1	DESIGN UNITS INCH	THIRD ANGLE PROJECTION	REVISE ON CAD ONLY	
			mm	INCH	DIMENSION STYLE MM/IN		TITLE SALES DRAWING - PCIE/TDP SMT RECEPTACLE ASSEMBLY	
		4 PLACES	± ---	± ---	DRAWN BY JJANTELEZ	DATE 07/15/2008	MOLEX INCORPORATED	
		3 PLACES	± ---	± .010	CHECKED BY TMCCLELL	DATE 07/15/2008		
2 PLACES	± 0.25	± .015	APPROVED BY BANAKIS		DATE 07/15/2008	MATERIAL NO. SEE CHART	DOCUMENT NO. SD-74960-010	
1 PLACE	± 0.38	± ---	DRAFT WHERE APPLICABLE MUST REMAIN WITHIN DIMENSIONS		SHEET NO. 1 OF 2			
		ANGULAR ± 1/2°		THIS DRAWING CONTAINS INFORMATION THAT IS PROPRIETARY TO MOLEX INCORPORATED AND SHOULD NOT BE USED WITHOUT WRITTEN PERMISSION				

NOTES:

1. ALL DIMENSIONS ON THIS SHEET ARE ±0.13/.005 TOLERANCE UNLESS OTHERWISE SPECIFIED.
2. DIMENSIONS SHOWN ABOUT A CENTERLINE ARE SYMMETRICAL ABOUT THAT CENTERLINE WITHIN HALF THE SPECIFIED TOLERANCE.



NOT TOOLED	MATERIAL NUMBER	CIRCUIT SIZE	*A* DIMENSION	*B* DIMENSION	*C* DIMENSION	*D* DIMENSION	*E* DIMENSION	*F* DIMENSION	PACKAGING SPECIFICATION	
	74960-3018	18	30.48 1.200	24.13 .950	14.66 .577	10.80 .425	15.87 .625	17.27 .680	PK-74960-995	
	74960-3028	28	36.83 1.450	30.48 1.200	21.01 .827	17.15 .675	22.17 .873	23.62 .930	PK-74960-995	
X	74960-3038	38	43.18 1.700	36.83 1.450	27.36 1.077	23.50 .925	28.52 1.123	29.97 1.180	N/A	CONTACT PRODUCT MARKETING
	74960-3048	48	49.53 1.950	43.18 1.700	33.71 1.327	29.85 1.175	34.87 1.373	36.32 1.430	PK-74960-996	
X	74960-3072	72	64.77 2.550	58.42 2.300	48.95 1.927	45.09 1.775	50.11 1.973	51.56 2.030	N/A	CONTACT PRODUCT MARKETING

RECOMMENDED JACKPOST INTERNAL THREAD OPTIONS (SEE NOTE 6 ON SHEET 1)

4-40	M3
74962-0001	74962-0002

4-40 THREAD INTERNAL THREAD

SEE SHEET 1 EC NO: UCP2009-3097 DRWN: JJANTELEZ 6/22/09 CHKD: 2009/08/14 APPR: MBANAKIS 2009/08/14	QUALITY SYMBOLS	GENERAL TOLERANCES (UNLESS SPECIFIED) DIMENSION STYLE 4 PLACES ± --- ± --- 3 PLACES ± --- ± .010 2 PLACES ± 0.25 ± .015 1 PLACE ± 0.38 ± --- ANGULAR ± 1/2° DRAFT WHERE APPLICABLE MUST REMAIN WITHIN DIMENSIONS	SCALE 5:1	DESIGN UNITS INCH	THIRD ANGLE PROJECTION	REVISE ON CAD ONLY
	DESCRIPTION		DIMENSION STYLE MM/IN		TITLE SALES DRAWING - PCIE/TDP SMT RECEPTACLE ASSEMBLY	
	DATE		DATE		DATE	
	DATE		DATE		DATE	
			DRAWN BY JJANTELEZ	DATE 07/15/2008	MATERIAL NO. DOCUMENT NO. SHEET NO. 2 OF 2	
			CHECKED BY TMCLELL	DATE 07/15/2008	MATERIAL NO. DOCUMENT NO. SHEET NO. 2 OF 2	
			APPROVED BY BANAKIS	DATE 07/15/2008	MATERIAL NO. DOCUMENT NO. SHEET NO. 2 OF 2	
			THIS DRAWING CONTAINS INFORMATION THAT IS PROPRIETARY TO MOLEX INCORPORATED AND SHOULD NOT BE USED WITHOUT WRITTEN PERMISSION			