



TAI-SAW TECHNOLOGY CO., LTD.

No. 3, Industrial 2nd Rd., Ping-Chen Industrial District,
Taoyuan, 324, Taiwan, R.O.C.

TEL: 886-3-4690038 FAX: 886-3-4697532

E-mail: tstsales@mail.taisaw.com Web: www.taisaw.com

Approval Sheet For Product Specification

Issued Date: Dec, 24, 2008

Product Name: SAW Filter 626 MHz SMD 3.8X3.8 mm

TST Parts No.: TA0962A

Customer Parts No.: _____

Company: _____
Division: _____
Approved by : _____
Date: _____

Checked by: _____ Bob Chau *Bob Chau*

Approval by: _____ Francis Chen *FCM 2*

Date: _____ 12, 24, 2008



TAI-SAW TECHNOLOGY CO., LTD.

No. 3, Industrial 2nd Rd., Ping-Chen Industrial District,
Taoyuan, 324, Taiwan, R.O.C.

TEL: 886-3-4690038 FAX: 886-3-4697532

E-mail: tstsales@mail.taisaw.com Web: www.taisaw.com

SAW Filter 626 MHz

MODEL NO.:TA0962A

REV. NO.:1

A. MAXIMUM RATING:

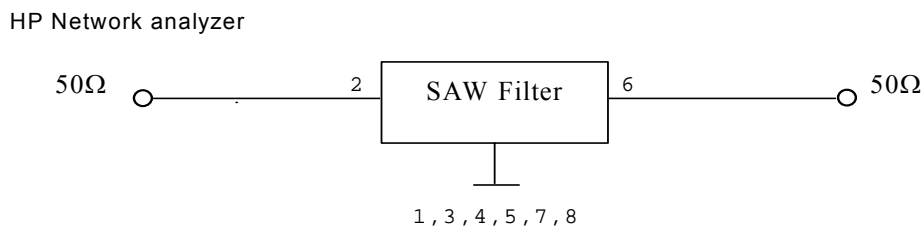
1. Input Power Level: 10 dBm
2. DC Voltage : 3V
3. Operating Temperature: -20°C to +75°C
4. Storage Temperature: -40°C to +85°C

RoHS Compliant
Lead free
Lead-free soldering

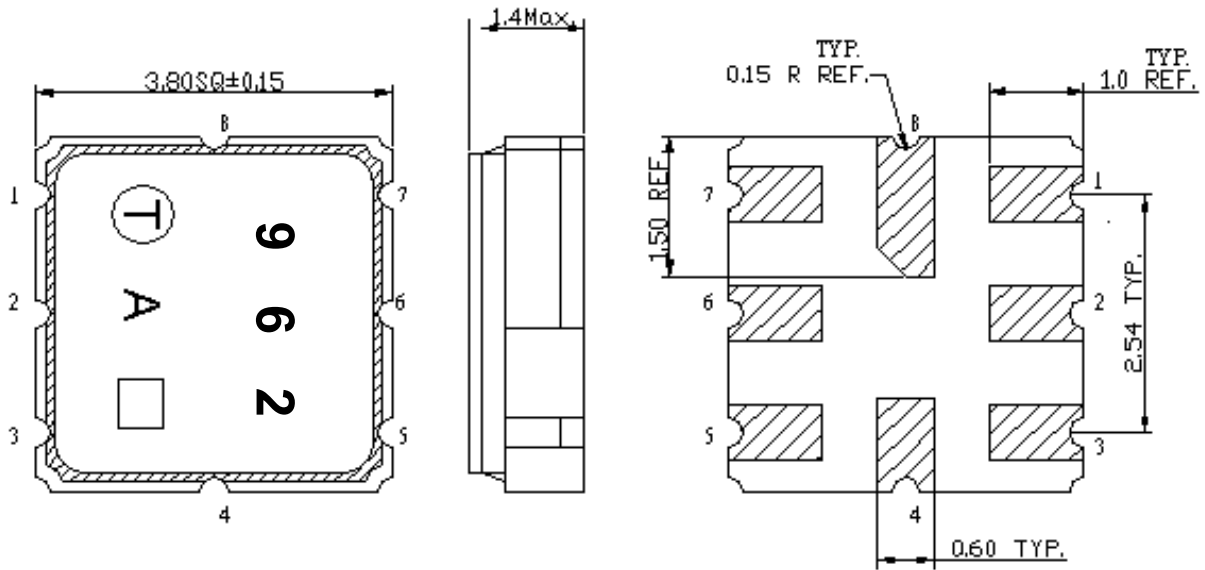
B. ELECTRICAL CHARACTERISTICS:

Item	Unit	Min.	Typ.	Max.	Note
Center Frequency Fc	MHz	-	626	-	-
Insertion loss (614~638MHz) IL	dB	-	2.3	4.5	-
Amplitude Ripple (614 ~ 638 MHz)	dB	-	0.9	3	-
Group Delay Variation (614~638 MHz)	ns	-	38	100	-
Attenuation (Reference level from 0 dB)					
0 ~ 543 MHz	dB	35	57	-	-
545 ~ 565 MHz	dB	40	57	-	-
668 ~ 690 MHz	dB	30	40	-	-
690 ~ 1000 MHz	dB	35	50	-	-
1000 ~ 1500 MHz	dB	30	44	-	-
Temperature Coefficient of Frequency	Ppm/°C	-	-35	-	-

C. MEASUREMENT CIRCUIT:

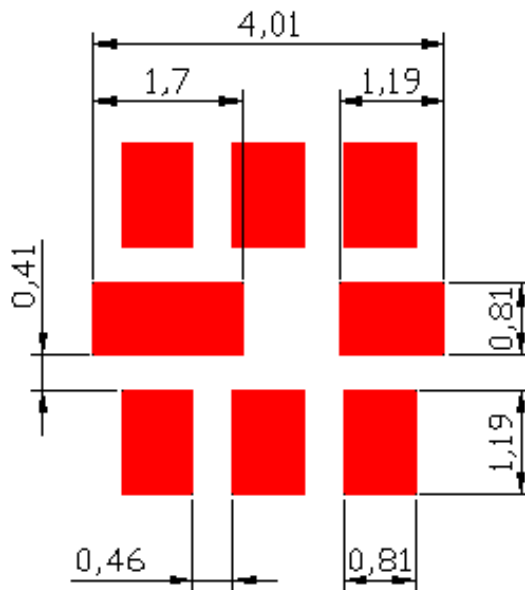


D.OUTLINE DRAWING:

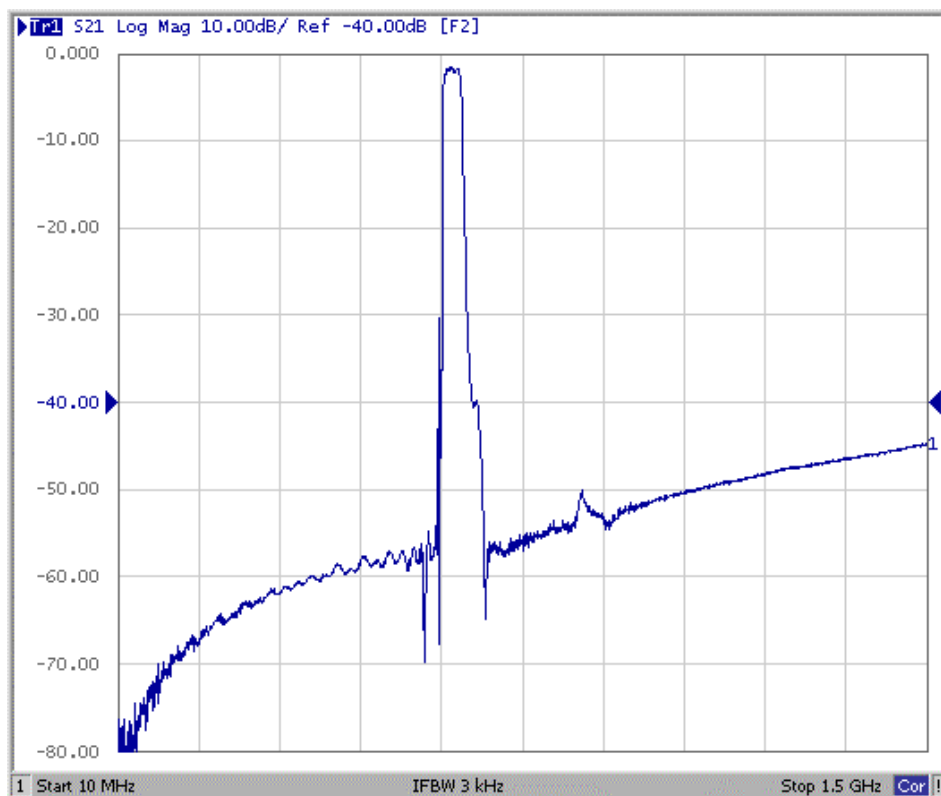
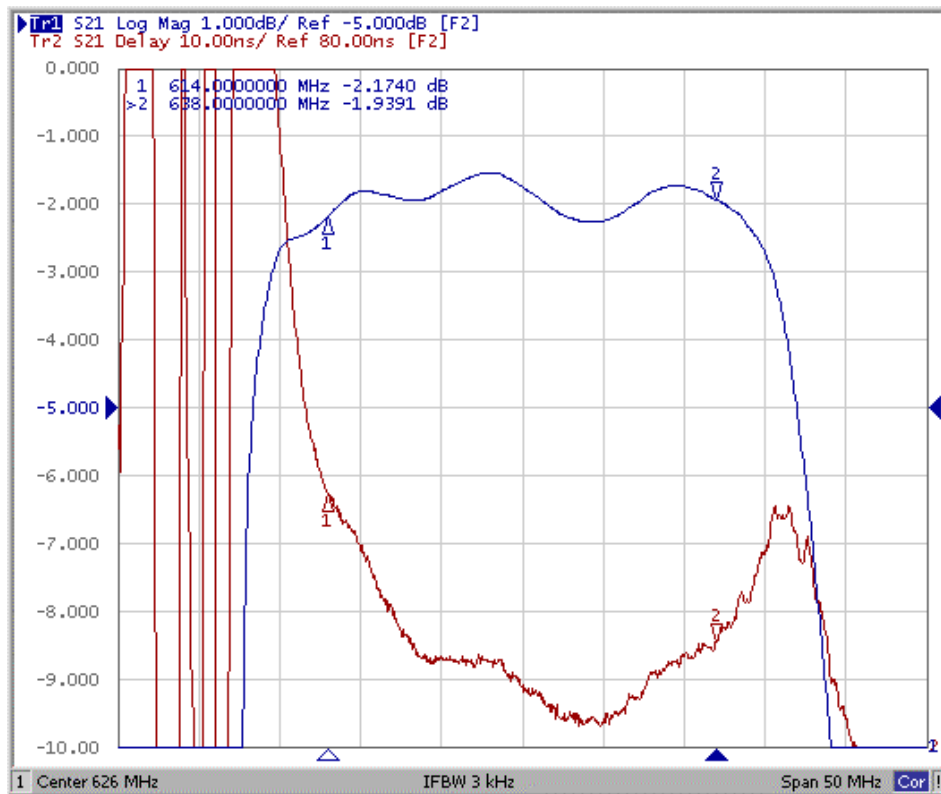


- 2 : Input
- 6: Output
- 1,3,4,5,7,8: Ground
- : Date Code (W01->A, W02->B,...W52->z)
- Unit: mm

E. PCB Footprint:



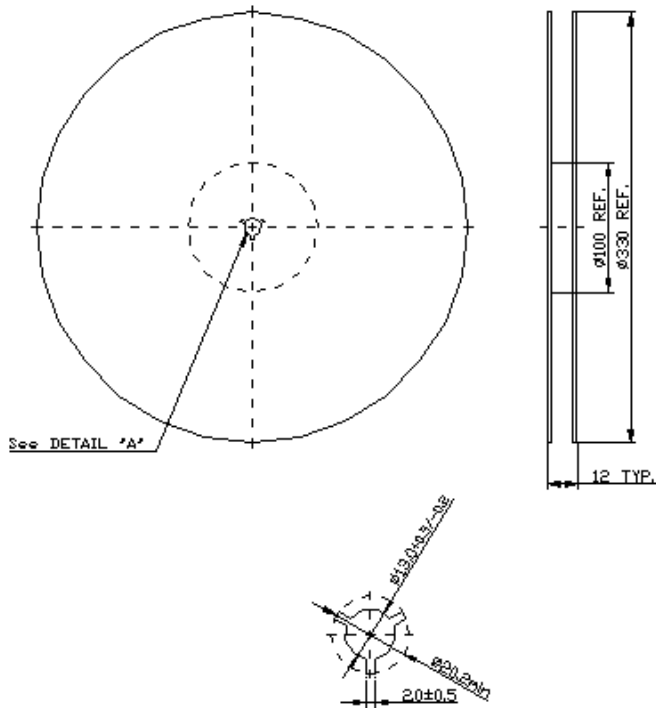
F. Frequency Characteristics :



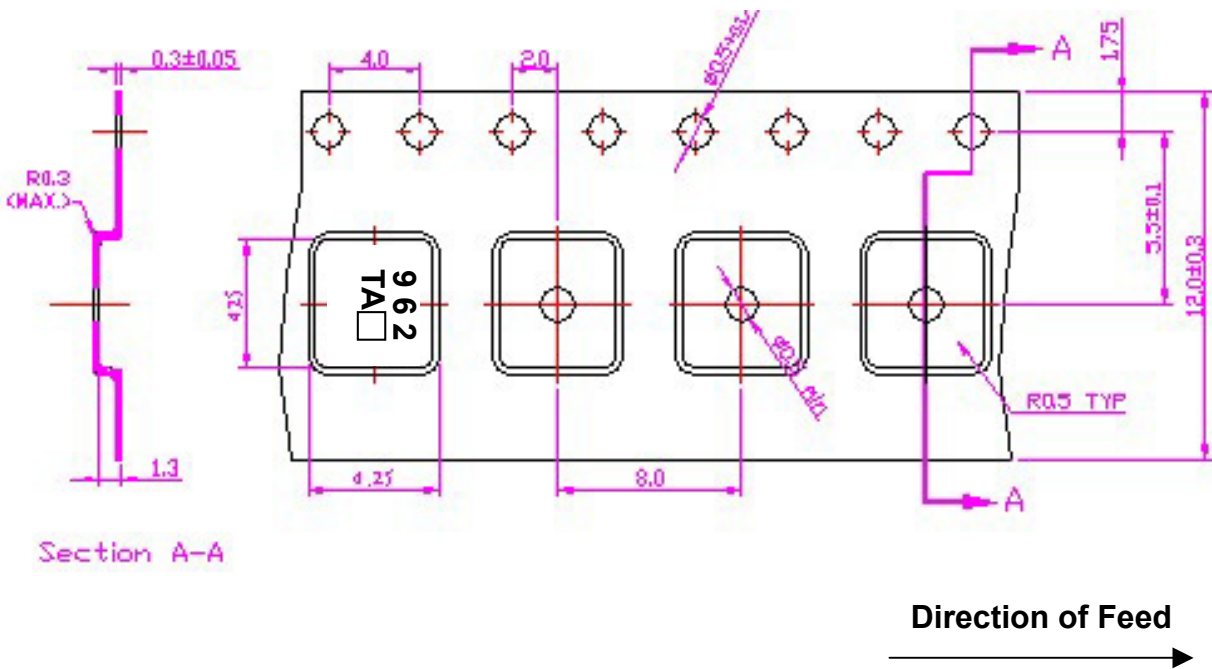
G. PACKING:

1. REEL DIMENSION

(Reel Count : 7"=1000 ; 13"=3000)



2.TAPE DIMENSION



H. RECOMMENDED REFLOW PROFILE :

