

RoHS Compliant Product
A suffix of "-C" specifies halogen free

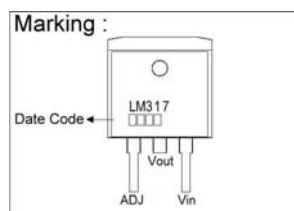
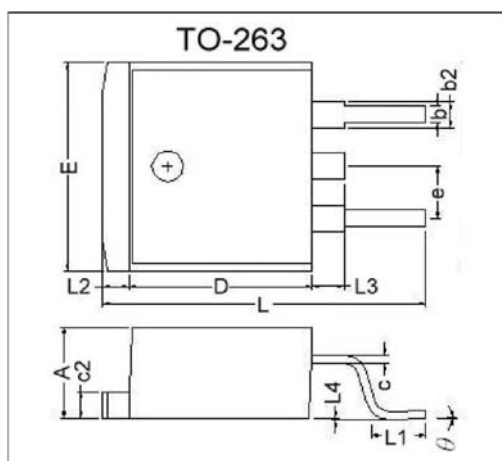
DESCRIPTION

The SULM317 is an adjustable 3-terminal positive voltage regulator, designed to supply more than 1.5A of output current with voltage adjustable from 1.3 to 37V.

FEATURES

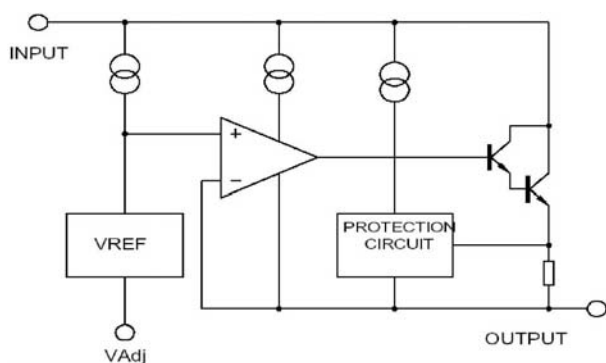
- Output current up to 1.5A.
- Output voltage adjustable from 1.3V to 37V.
- Internal short circuit protection.
- Internal over temperature protection.
- Safe-Area compensation for output transistor.

PACKAGE DIMENSIONS



REF.	Millimeter		REF.	Millimeter	
	Min.	Max.		Min.	Max.
A	4.40	4.80	c2	1.25	1.45
b	0.76	1.00	b2	1.17	1.47
L4	0.00	0.30	D	8.6	9.0
c	0.36	0.5	e	2.54 REF.	
L3	1.50 REF.		L	14.6	15.8
L1	2.29	2.79	θ	0°	8°
E	9.80	10.4	L2	1.27 REF.	

BLOCK DIAGRAM



ABSOLUTE MAXIMUM RATINGS at Ta = 25°C

Parameter	Symbol	Ratings	Unit
Input-Output Voltage Difference	$V_i - V_o$	40	V
Load Temperature	T_{LEAD}	230	°C
Power Dissipation	P_D	Internal limited	
Operating, Storage Temperature Range	T_{OPR}, T_{STG}	0~125, -65 ~ 150	°C

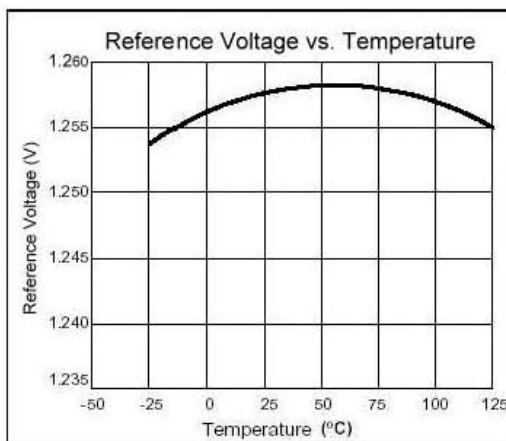
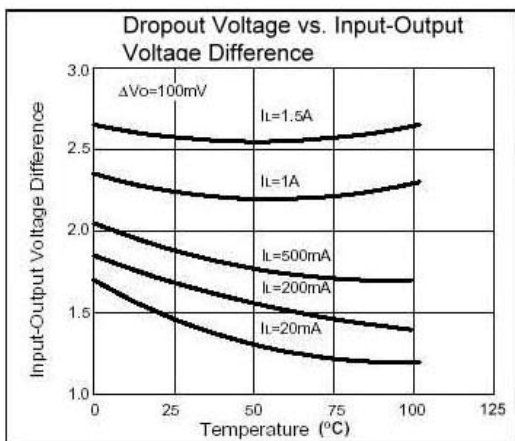
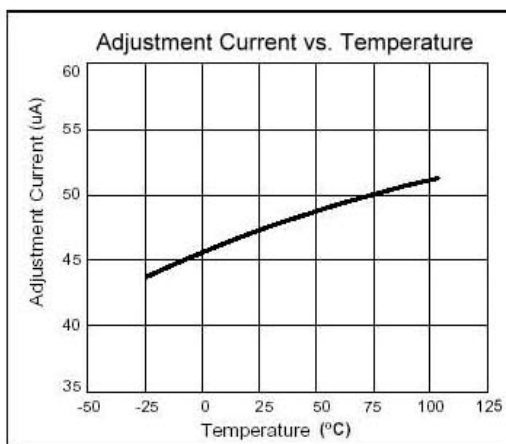
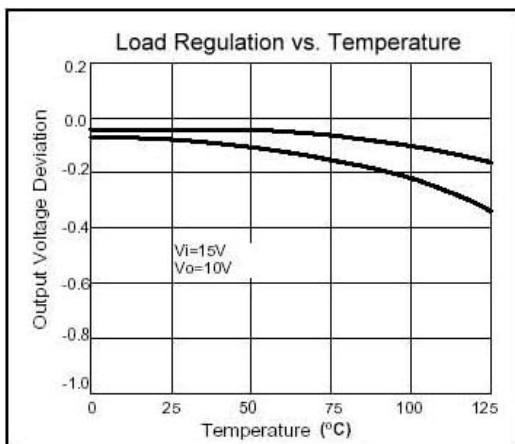
ELECTRICAL CHARACTERISTICS

($V_I - V_O = 5V$, $0^\circ C < T_J < 125^\circ C$, $I_O = 500mA$, $I_{MAX} = 1.5A$, $P_{MAX} = 20W$, unless otherwise specified)

Parameter	Symbol	Test Conditions	Min.	Typ.	Max	Unit	
Line Regulation	ΔV_O	$T_A = 25^\circ C$, $3V \leq V_I - V_O = 40V$	-	0.01	0.04	%V	
		$T_A = 0-125^\circ C$, $3V \leq V_I - V_O \leq 40V$	-	0.02	0.07	%V	
Load Regulation	ΔV_O	$T_A = 25^\circ C$		18	25	mV	
		$10 mA \leq I_O \leq I_{MAX}$	$V_O \geq 5V$	-	0.4	0.5	%/V _O
		$10 mA \leq I_O \leq I_{MAX}$	$V_O \leq 5V$	-	40	70	mV
			$V_O \geq 6V$	-	0.8	1.5	%V _O
Adjustable Pin Current	I_{ADJ}		-	46	100	μA	
Adjustable Pin Current Change	ΔI_{ADJ}	$2.5V \leq V_I - V_O \leq 40V$, $10 mA \leq I_O \leq I_{MAX}$, $P_D \leq P_{MAX}$	-	2.0	5	μA	
Reference Voltage		$3V \leq V_I - V_O \leq 40V$, $10 mA \leq I_O \leq I_{MAX}$, $P_D \leq P_{MAX}$	1.225	1.25	1.275	V	
Temperature Stability	STT		-	0.7	-	%/V _O	
Minimum Load Current for Regulation	$I_{L(MIN)}$	$V_I - V_O = 40V$	-	3.5	10	mA	
Maximum Output Current	$I_{O(MAX)}$	$V_I - V_O \leq 15V$, $P_D < P_{MAX}$	1.5	2.2	-	A	
		$V_I - V_O = 40V$, $P_D < P_{MAX}$, $T_J = 25^\circ C$	0.15	0.4	-		
RMS Noise vs. % of V _{out}	eN	$T_A = 25^\circ C$, $10 Hz \leq f \leq 10 KHz$	-	0.003	0.01	%/V _O	
Ripple Rejection	RR	$V_O = 10V$, $f = 120Hz$,	-	60	-	dB	
		$V_O = 10V$, $f = 120Hz$, $C_{ADJ} = 10\mu F$	66	75	-		
Long-term Stability, $T_J = T_{HIGH}$	ST	$T_A = 25^\circ C$, 1000hr	-	0.3	1	%	
Junction to Case Thermal Resistance	R θ JC		-	5	-	$^\circ C/W$	

*Note: Testing with low duty pulse should be used to avoid heating effect.

CHARACTERISTIC CURVES



APPLICATION CIRCUIT

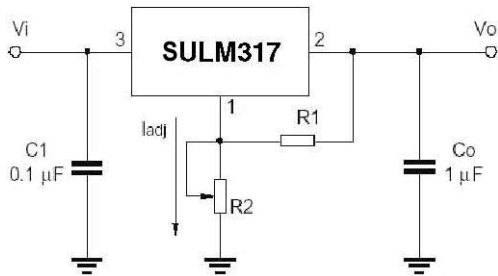


Fig. 1 Programmable voltage regulator
 $V_O = 1.25V * (1 + R2/R1) + I_{ADJ} * R2$
 C1 is required when regulator is located an appreciated distance from power supply.
 Co is needed to improve transient response.

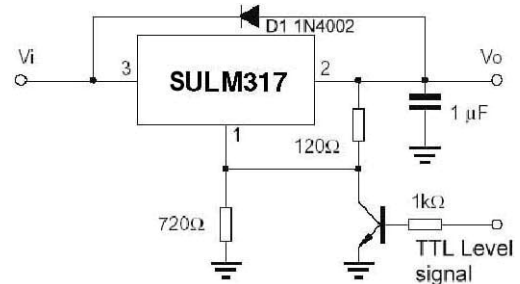


Fig. 2 Regulator with On-off control.

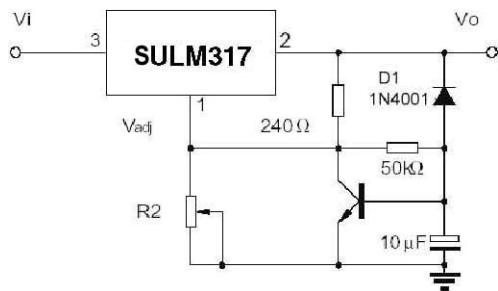
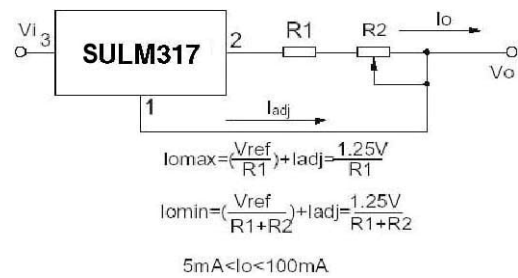


Fig. 3 Soft start application.



$$I_{omax} = \left(\frac{V_{ref}}{R1} \right) + I_{adj} = \frac{1.25V}{R1}$$

$$I_{omin} = \left(\frac{V_{ref}}{R1+R2} \right) + I_{adj} = \frac{1.25V}{R1+R2}$$

$$5mA < I_o < 100mA$$

Fig. 4 Constant current application.