

PRODUCT NUMBER
71607-YXXZLF

WHEN NEEDED, SUFFIX LETTER "LF"
INDICATES THE PRODUCT IS RoHS
COMPATIBLE, SEE NOTE 6

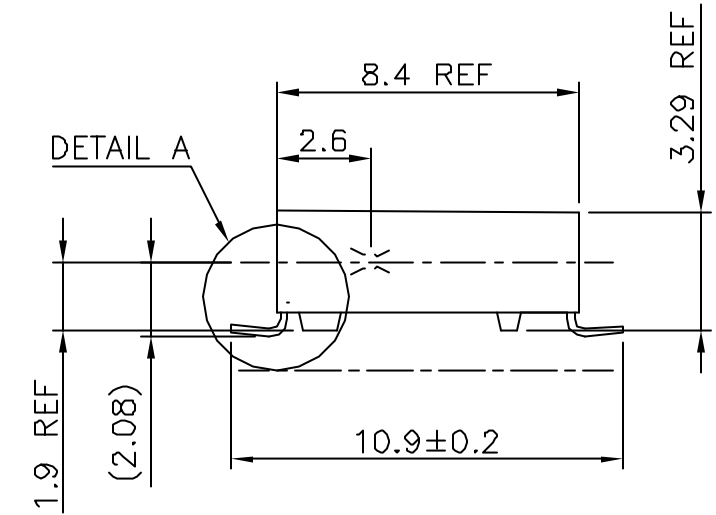
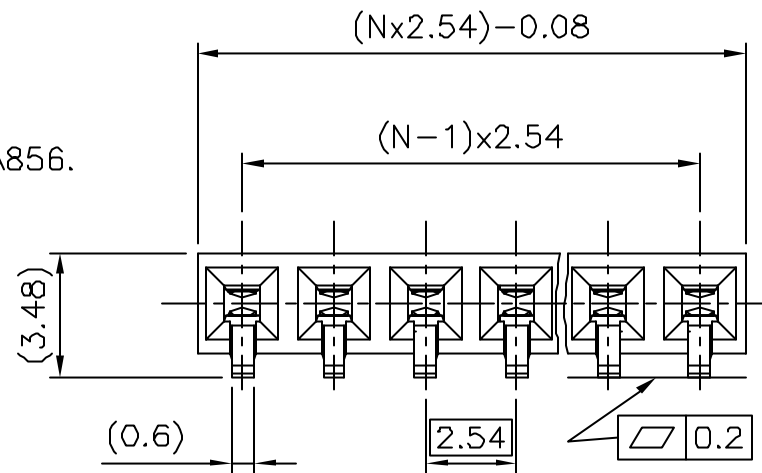
OPTIONAL LETTER
A: PRODUCT PACKED IN TAPE & REEL, SEE TA856.

NUMBER OF POSITIONS: 02 TO 40.

PLATING CODE

- 3= 0.76µm GOLD ON CONTACT AREA.
3.81µm TIN-LEAD ON TAIL.
- 4= 5µm TIN-LEAD ON CONTACT AREA.
3.81µm TIN-LEAD ON TAIL.
- 8= 0.38µm GOLD ON CONTACT AREA.
3.81µm TIN-LEAD ON TAIL.

WHEN SUFFIX "LF" IS REQUIRED, 2µm MIN MATTE
TIN OVER 1.27 MIN Ni IS SUPPLIED INSTEAD OF SnPb.



NOTES:

- 1 - HOUSING MAT'L: THERMOPLASTIC GLASS FILLED
FLAME RETARDANT PER UL 94 V-0 COLOR: GREY.
- 2 - TERMINAL MATERIAL: PHOSPHOR BRONZE.
- 3 - 2 UP TO 4 POSITIONS PRODUCT PACKED IN PLASTIC
5 UP TO 40 POSITIONS PRODUCT PACKED IN TUBE.
- 4 - TO DETERMINE DIMENSIONS:
N = NUMBER OF POSITIONS
EXAMPLE: 8 POS: (Nx2.54)-0.08=20.24 mm
- 5 - RECOMMENDED IR PROFIL PER TA 842.
- 6 - RoHS COMPATIBLE PRODUCT SPECIFICATIONS

a - PLATING:

- "LF" MEANS THE PRODUCT IS LEAD-FREE,
2µm MINIMUM MATTE TIN OVER 1.27µm
MINIMUM NICKEL UNDERPLATE.

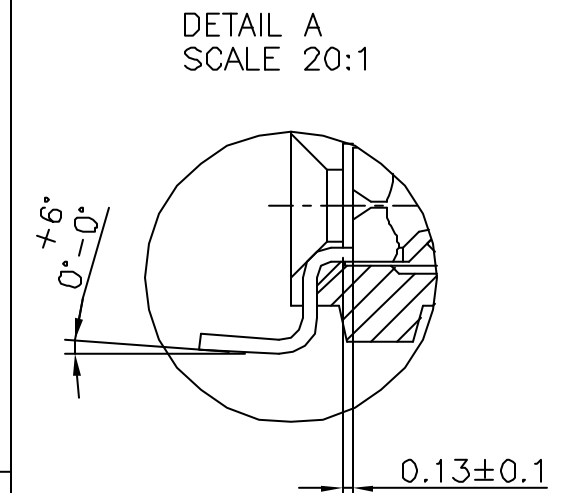
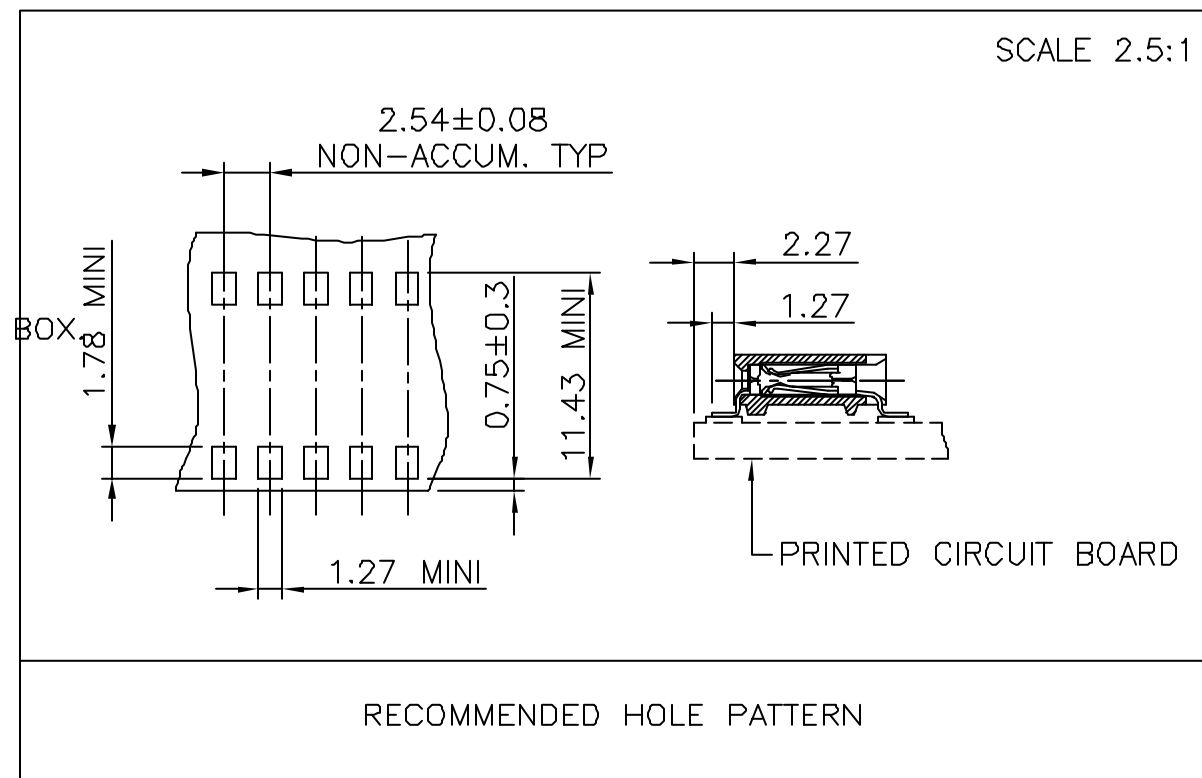
b - MANUFACTURING PROCESS COMPATIBILITY

- THE HOUSING WILL WITHSTAND EXPOSURE TO
260°C PEAK TEMPERATURE FOR 30 SECONDS
MAX IN A CONVECTION, INFRA-RED OR VAPOR
PHASE OR REFLOW OVEN.

c - LABELING:

- MEETS PACKAGING SPECS AS PER GS-14-920

d - LEGAL STATEMENT: SEE GS-22-008



| | | | | | | | | | |
|-------------|----------|----------------|----------|---------------------------------------|------------|------------|--|-----------------------------|--|
| mat'l. code | | surface | | tolerance | | projection | | product family | |
| SEE NOTE 1 | | ISO 1302 | | ISO 406 ISO 1101 | | mm | | DUBOX | |
| ltr | ecn no | dr | date | tolerances unless otherwise specified | | mm | | title | |
| T | F04-0347 | DLE | 04.11.08 | angles | linear | ±0.3 | | BtB RECEPT. HORIZ SR SMT | |
| U | F06-0204 | DLE | 06.06.10 | ±2° | | scale 10:1 | | dwg no | |
| | | | | dr | P.NIZZI | 94.03.21 | | sheet 1 of 1 | |
| | | | | enr | P NIZZI | 99.06.08 | | size | |
| | | | | chr | JF NOTTEAU | 97.05.13 | | 71607 | |
| | | | | appd | PNZ | 99.06.08 | | A3 | |
| sheet index | | revision sheet | | | | | | type | |
| | | | | | | | | CUSTOMER Drawing | |