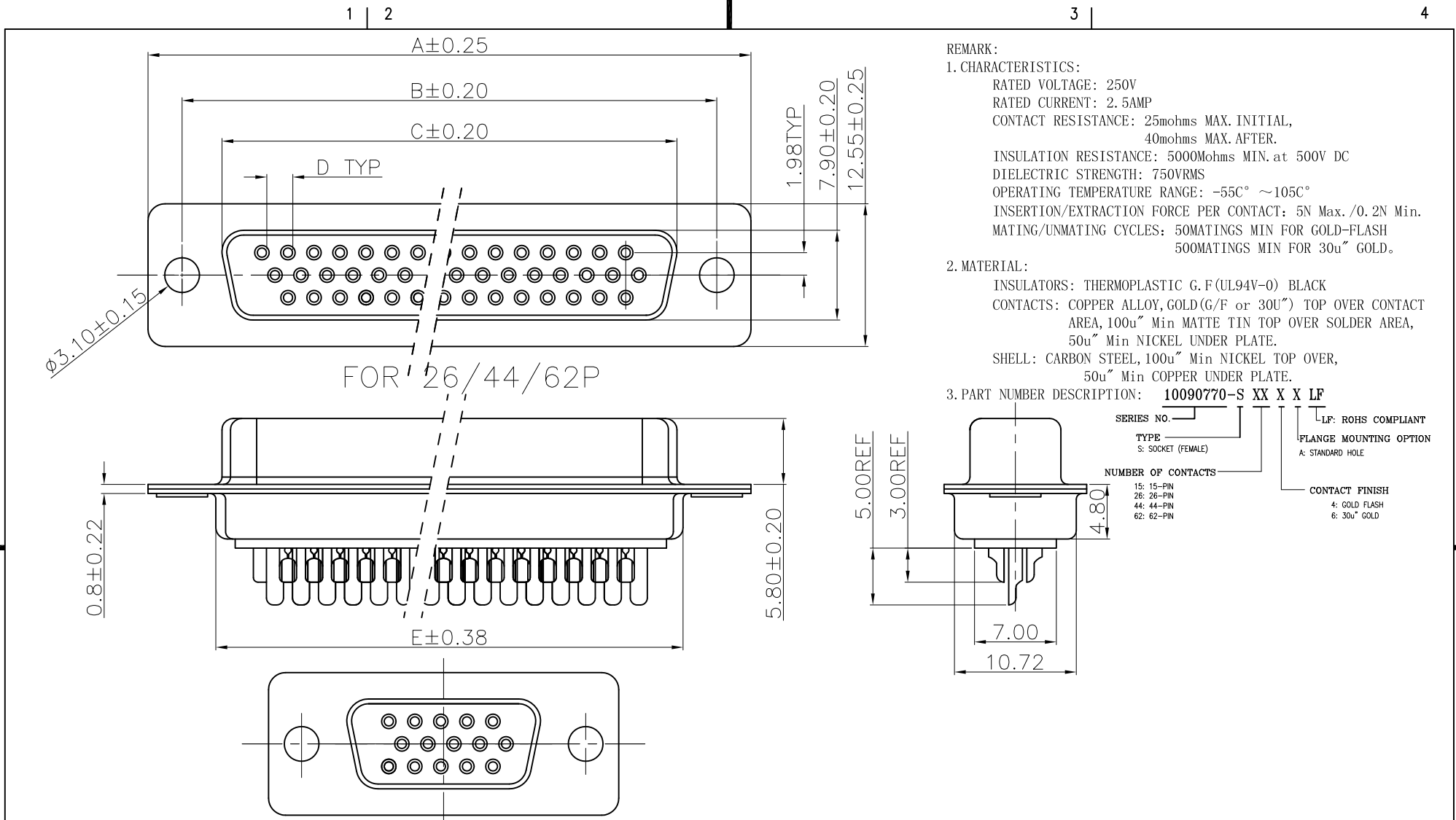


Tous droits strictement réservés. Reproduction ou communication a des tiers interdite sous quelque forme que ce soit sans autorisation écrite du propriétaire. Propriété de c FCI. Droits de reproduction FCI.



All rights strictly reserved. Reproduction or issue to third parties in any form whatever is not permitted without written authority from the proprietor. Property of FCI. Copyright FCI.



REMARK:  
 1. CHARACTERISTICS:  
 RATED VOLTAGE: 250V  
 RATED CURRENT: 2.5AMP  
 CONTACT RESISTANCE: 25mohms MAX. INITIAL,  
 40mohms MAX. AFTER.  
 INSULATION RESISTANCE: 5000Mohms MIN.at 500V DC  
 DIELECTRIC STRENGTH: 750VRMS  
 OPERATING TEMPERATURE RANGE: -55°C ~105°C  
 INSERTION/EXTRACTION FORCE PER CONTACT: 5N Max./0.2N Min.  
 MATING/UNMATING CYCLES: 50MATINGS MIN FOR GOLD-FLASH  
 500MATINGS MIN FOR 30u" GOLD.

2. MATERIAL:  
 INSULATORS: THERMOPLASTIC G. F (UL94V-0) BLACK  
 CONTACTS: COPPER ALLOY, GOLD(G/F or 30U") TOP OVER CONTACT  
 AREA, 100u" Min MATTE TIN TOP OVER SOLDER AREA,  
 50u" Min NICKEL UNDER PLATE.  
 SHELL: CARBON STEEL, 100u" Min NICKEL TOP OVER,  
 50u" Min COPPER UNDER PLATE.

3. PART NUMBER DESCRIPTION: **10090770-S XX X X LF**  
 SERIES NO. \_\_\_\_\_  
 TYPE: \_\_\_\_\_  
 S: SOCKET (FEMALE)  
 NUMBER OF CONTACTS: \_\_\_\_\_  
 15: 15-PIN  
 26: 26-PIN  
 44: 44-PIN  
 62: 62-PIN  
 LF: ROHS COMPLIANT  
 FLANGE MOUNTING OPTION  
 A: STANDARD HOLE  
 CONTACT FINISH  
 4: GOLD FLASH  
 6: 30u" GOLD

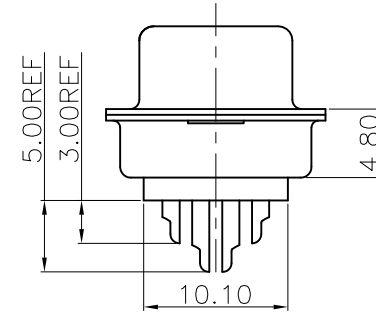
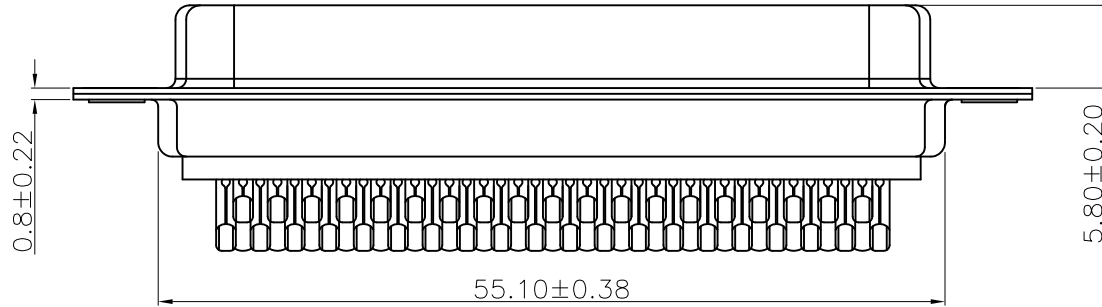
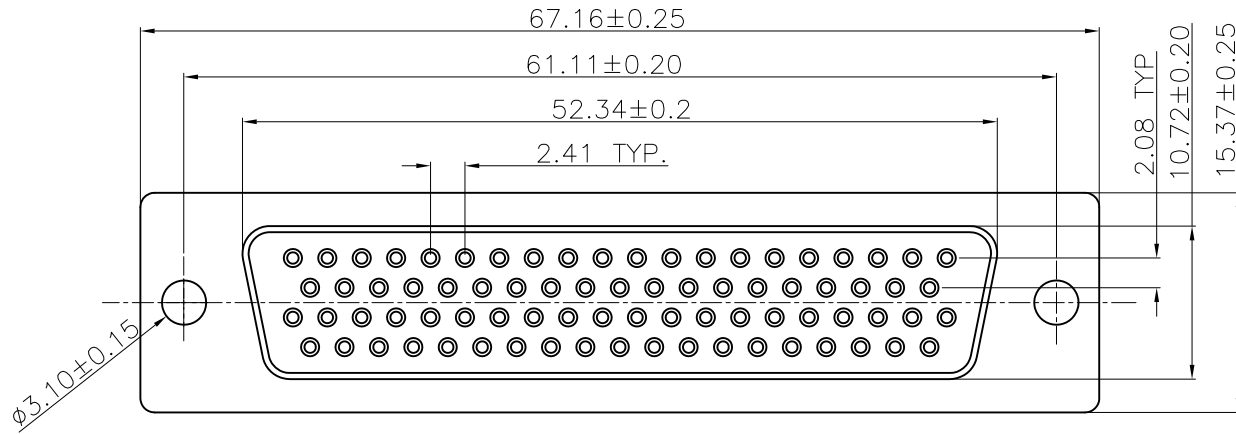
POS.	PART NO.	A	B	C	D	E
15	10090770-S15*ALF	30.81	24.99	16.33	2.29	19.10
26	10090770-S26*ALF	39.24	33.32	24.66	2.29	27.75
44	10090770-S44*ALF	53.04	47.04	38.38	2.29	41.30
62	10090770-S62*ALF	69.32	63.50	54.84	2.41	57.40

mat'l. code				tolerances unless otherwise specified			CUSTOMER COPY		FCI	
ltr	ecn no	dr	date	linear	.X ± 0.38	projection	title			
A	T09-1156	J.H	12/10/09	angles	.XX ± 0.25		www.fciconnect.com			
					.XXX ± 0.10		H/D D-SUB FEMALE SOLDER BUCKET			
				dr	0° ± 2°		product family		code	
				enr	JASON HSU 12/10/09		D-SUB		TWN	
				chr	JASON HSU 12/10/09		size		dwg no	
				appd	GARY HSIEH 12/10/09		scale		sheet	
					JOSEPH HSIA 12/10/09	1:1		1 of 2		
sheet index	revision sheet	A	A							
		1	2							

Tous droits strictement réservés. Reproduction ou communication a des tiers interdite sous quelque forme que ce soit sans autorisation écrite du propriétaire. Propriete de c FCI. Droits de reproduction FCI.



All rights strictly reserved. Reproduction or issue to third parties in any form whatever is not permitted without written authority from the proprietor. Property of FCI. Copyright FCI.



REMARK:

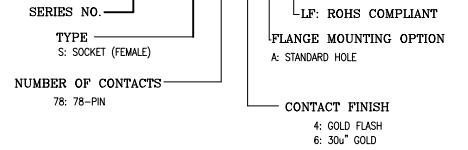
1. CHARACTERISTICS:

RATED VOLTAGE: 250V  
 RATED CURRENT: 2.5AMP  
 CONTACT RESISTANCE: 35mohms MAX. INITIAL,  
 50mohms MAX. AFTER.  
 INSULATION RESISTANCE: 5000Mohms MIN. at 500V DC  
 DIELECTRIC STRENGTH: 750VRMS  
 OPERATING TEMPERATURE RANGE: -55°C ~85°C  
 INSERTION/EXTRACTION FORCE PER CONTACT: 5N Max./0.2N Min Min.  
 MATING/UNMATING CYCLES: 50MATINGS MIN FOR GOLD-FLASH  
 500MATINGS MIN FOR 30u" GOLD.

2. MATERIAL:

INSULATORS: THERMOPLASTIC G.F(UL94V-0) BLACK  
 CONTACTS: COPPER ALLOY, GOLD(G/F or 30u") TOP OVER CONTACT  
 AREA, 100u" Min MATTE TIN TOP OVER SOLDER AREA,  
 50u" Min NICKEL UNDER PLATE.  
 SHELL: CARBON STEEL, 100u" Min NICKEL TOP OVER,  
 50u" Min COPPER UNDER PLATE.

3. PART NUMBER DESCRIPTION: 10090770-S XX X X LF



PART NO.: 10090770-S78\*ALF

mat'l. code				tolerances unless otherwise specified			CUSTOMER COPY		FCI www.fciconnect.com	
ltr	ecn no	dr	date	linear	.X ± 0.38		projection	title		
A					.XX ± 0.25			H/D D-SUB 78P FEMALE SOLDER BUCKET		
					.XXX ± 0.10					
				angles	0° ±2°		MM		product family D-SUB	
				dr	JASON HSU	12/10/09	scale		code	
				enr	JASON HSU	12/10/09	1:1		TWN	
				chr	GARY HSIEH	12/10/09	A4		sheet	
				appd	JOSEPH HSIA	12/10/09	10090770		2 of 2	
sheet index	revision sheet									