

SMD Power Inductor CDH23D09/SHP



■ Features

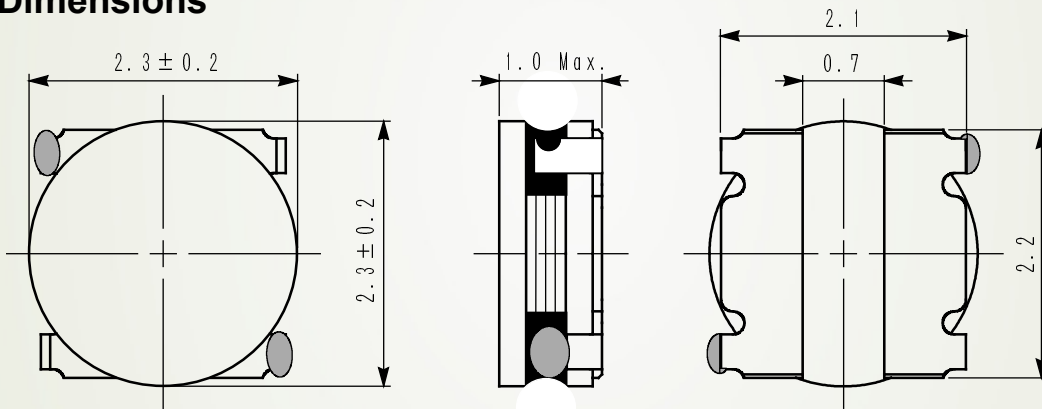
- ◎ Currently lowest profile inductor:
Height: 1.0mm Max.
- ◎ Operating temperature range: $-40^{\circ}\text{C}\sim+105^{\circ}\text{C}$.
- ◎ RoHS Compliance & Halogen Free.

■ Applications

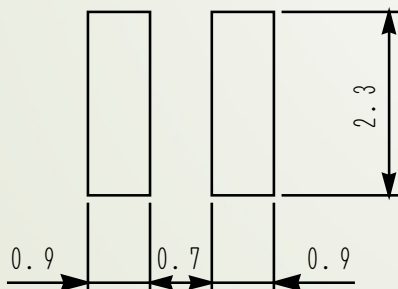
Low profile, surface mount inductor for Mobile phone, MP3/MP4 and other portable devices.

■ Shapes and Dimensions/Recommended Land Patterns(mm)

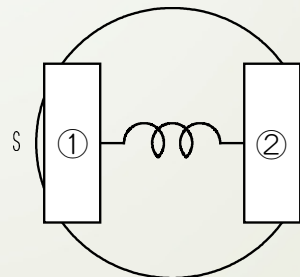
◆ Dimensions



◆ Land pattern



◆ Schematics (Bottom)



“S” is winding start.

SMD Power Inductor CDH23D09/SHP



■Electrical Characteristics specification.

No.	Part No.	Stamp	Inductance [Within] (μ H)※1	D.C.R. (m Ω) [Max.]※2 (at 20°C)	Saturation Current (A) ※3 (at 20°C)	Temperature Rise Current (A) ※4
01	CDH23D09SHPNP-1R0MC	A	1.0 \pm 20%	112.5(90.0)	1.55	1.38
02	CDH23D09SHPNP-1R5MC	B	1.5 \pm 20%	158.0(126.4)	1.25	1.15
03	CDH23D09SHPNP-2R2MC	C	2.2 \pm 20%	241.5(193.1)	1.05	0.89
04	CDH23D09SHPNP-3R3MC	D	3.3 \pm 20%	350.5(280.5)	0.85	0.78
05	CDH23D09SHPNP-4R7MC	E	4.7 \pm 20%	537.0(429.5)	0.70	0.61
06	CDH23D09SHPNP-6R8MC	F	6.8 \pm 20%	660.5(528.5)	0.60	0.57

※1 Measuring condition: inductance at 100kHz .

※2 () is typical value.

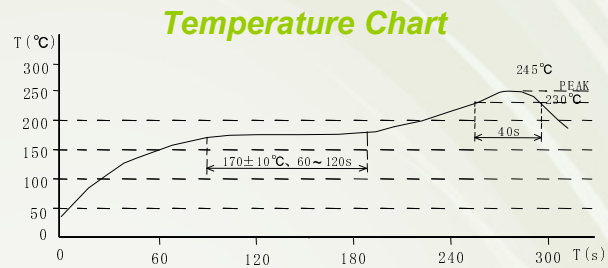
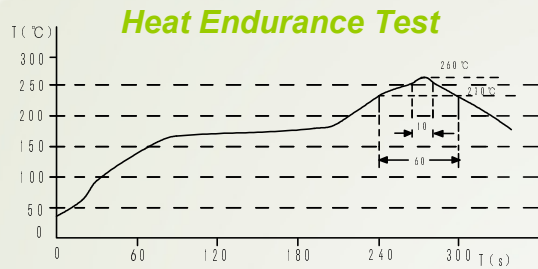
※3 Saturation Current: This indicates the value of DC current when the inductance decreases to 70% of its nominal value.

※4 Temperature Rise Current: The actual value of DC current when the temperature rise is $\Delta t=40^{\circ}\text{C}$ ($T_a=20^{\circ}\text{C}$).

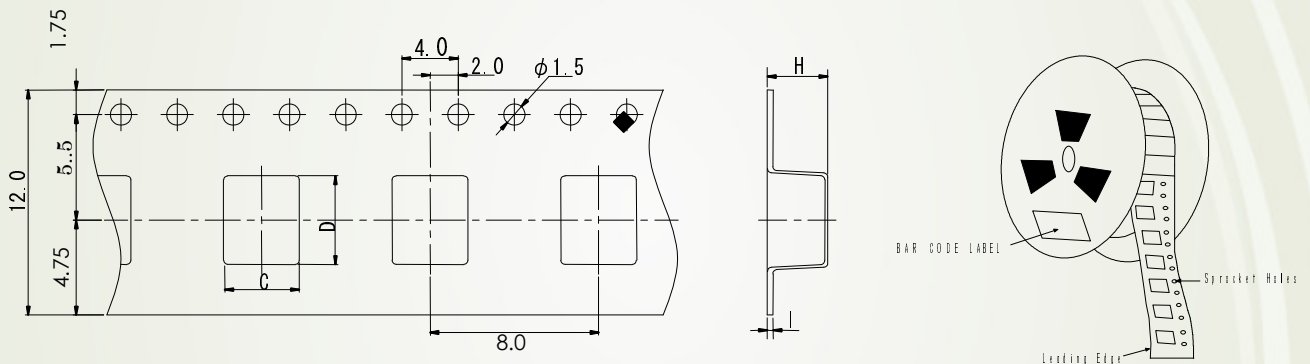
SMD Power Inductor CDH23D09/SHP



Recommended Reflow Condition.



Packaging with Embossed tape and reel.



※ Packaging spec. refer to S-074-5239

For More Information

Hong Kong

Tel.+852-2880-6688
FAX.+852-2565-9600

Japan(Tokyo)

Tel.+81-3-5202-7112
FAX.+81-3-5202-7105

America(Chicago)

Tel.+1-847-545-6700
FAX. +1-847-545-6720

Shanghai

Tel.+86-021-58363299
FAX.+86-021-58363266

Korea(Seoul)

Tel.+82-2-6237-0777
FAX.+82-2-6237-0778

America(California)

Tel.+1-408-321-9660
FAX. +1-408-321-9308

Shenzhen

Tel.+86-755-82910228
FAX.+86-755-82910338

Singapore

Tel.+65-6296-3388
FAX.+65-6296-3390

Taiwan(Taipei)

Tel.+886-2-27065228
FAX.+886-2-27065229

Malaysia

Tel.+60-3-8733-0900
FAX.+60-3-8737-7384