

PLEASE CHECK WWW.MOLEX.COM FOR LATEST PART INFORMATION

Part Number: [0671300809](#)
Status: **Active**
Description: 1.27mm (.050") PC Card Header: Single Slot, Flush Profile, Top Mount, Right Angle, SMT, with Mylar, Tray Packaging, Lead-free

Documents:

[Drawing \(PDF\)](#) [RoHS Certificate of Compliance \(PDF\)](#)

General

Product Family	Memory Card Sockets
Series	67130
Button Type	N/A
Comments	With Mylar, Tray Packaging
Component Type	Header/Socket (Host)
Product Name	CardBus, PC Card
Type	I, II, III

Physical

Card Detection Switch	N/A
Circuits (Loaded)	68
Durability (mating cycles max)	10,000
Ejector Button Side	No Ejector Button Present
Entry Angle	90° Angle (Side Entry)
Keying to Mating Part	Yes
Material - Plating Mating	Gold
Material - Plating Termination	Tin
PCB Locator	Yes
PCB Mounting Side	Normal
PCB Retention	Yes
Packaging Type	Tray
Pitch - Mating Interface (in)	0.050 In
Pitch - Mating Interface (mm)	1.27 mm
Plating min: Mating (µin)	15
Plating min: Mating (µm)	0.38
Plating min: Termination (µin)	100
Plating min: Termination (µm)	2.5
Ports	1
Temperature Range - Operating	-20°C to +85°C
Termination Interface: Style	Surface Mount

Electrical

Current - Maximum per Contact	0.5A
Voltage - Maximum	100V AC
Voltage Key	3.3V

Material Info

Reference - Drawing Numbers

Sales Drawing	SD-67130-005
---------------	--------------

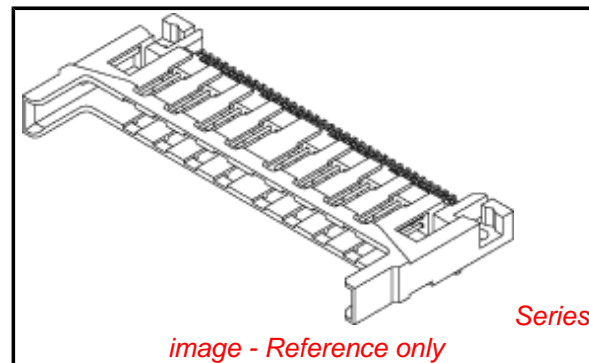


image - Reference only

EU RoHS

**ELV and RoHS
Compliant**
**REACH SVHC
Contains SVHC: No**
**Halogen-Free
Status**

China RoHS



Not Reviewed

**Need more information on product
environmental compliance?**

Email productcompliance@molex.com
 For a multiple part number RoHS Certificate of
 Compliance, [click here](#)

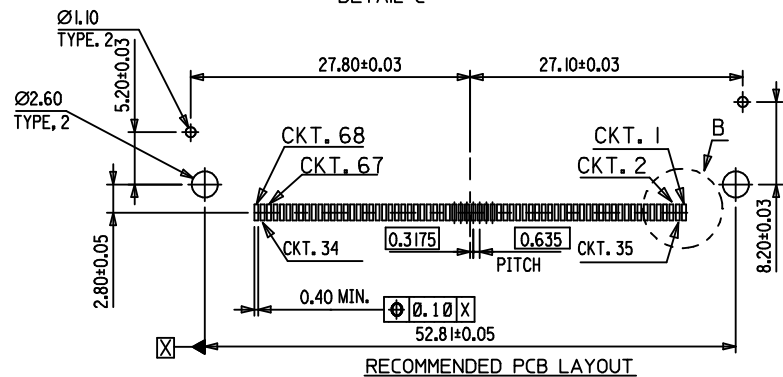
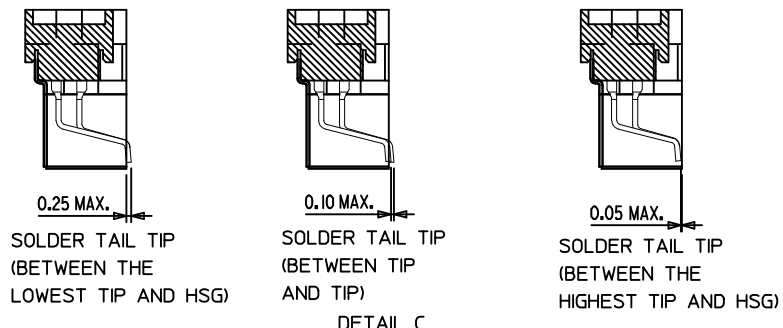
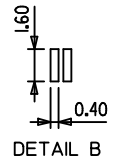
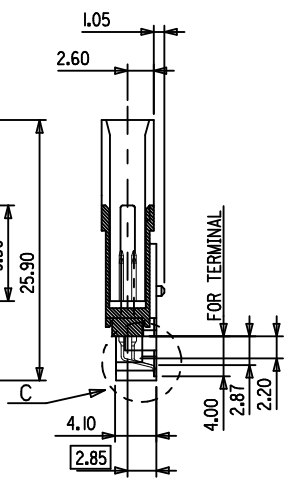
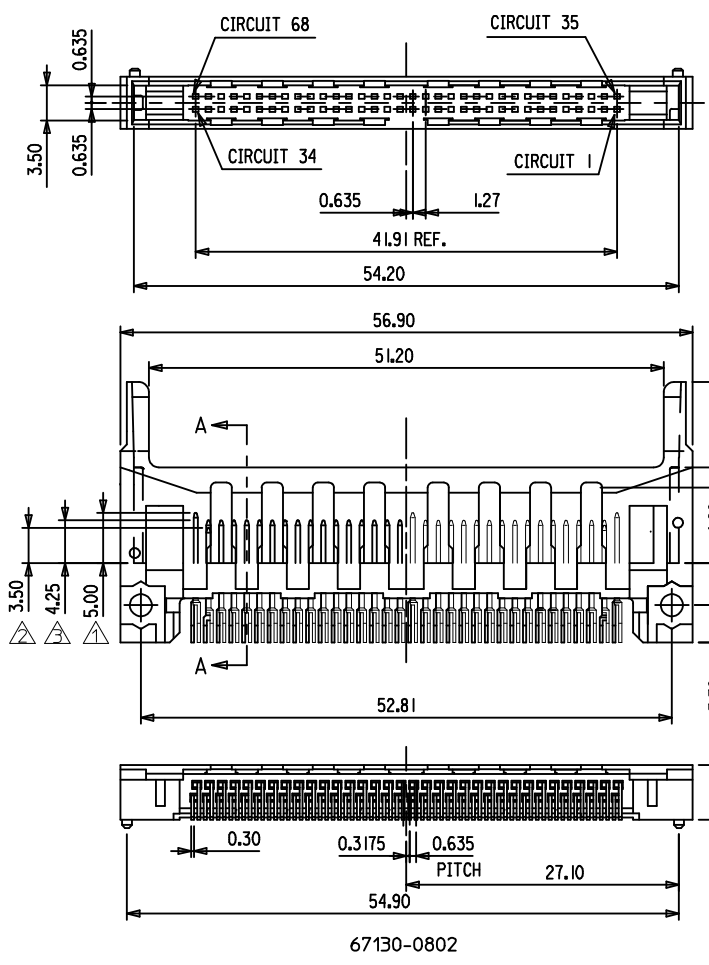
Please visit the [Contact Us](#) section for any
 non-product compliance questions.

Search Parts in this Series

[67130Series](#)

Use With

[67121](#) Ejector Mechanism



- NOTES:
- 1. APPLIES TO CIRCUIT NUMBER:1,17,34,35,51,68.
 - 2. APPLIES TO CIRCUIT NUMBER:36,67.
 - 3. APPLIES TO CIRCUIT NUMBER:THE OTHERS.
 - 4. COPLANARITY BETWEEN SOLDER TAILS IS 0.10mm MAX.
 - 5. TRUE POSITION BETWEEN SOLDER TAILS IS 0.15 mm MAX.
 - 6. PRODUCT SPEC : PS-67160-011.
 - 7. FINISH:
SELECTIVE GOLD (Au) IN CONTACT AREA, THICKNESS=0.38 MICROMETER MINIMUM,
SELECTIVE PURE TIN IN SOLDER TAIL AREA, THICKNESS=2.50 MICROMETER MINIMUM,
NICKEL (Ni) OVERALL.
 - 8. THE PACKAGE OF 67130-0802 PER PK-67130-002, 67130-0809 PER PK-67130-001.
 - 9. PRODUCT COMPLIANT TO RoHS DIRECTIVE 2002/95/EC AND ELV 2000/53/EC.

67130-0809	W MYLAR	T&R
67130-0802	W/O MYLAR	TRAY
PART NUMBER	DESCRIPTION	PACKAGE

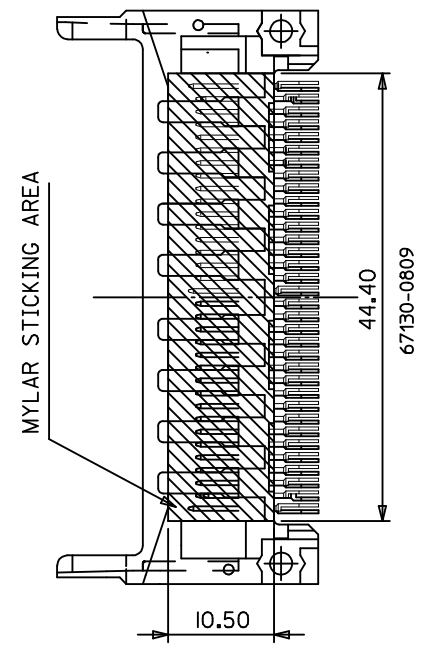
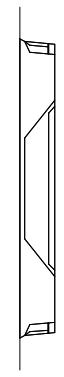
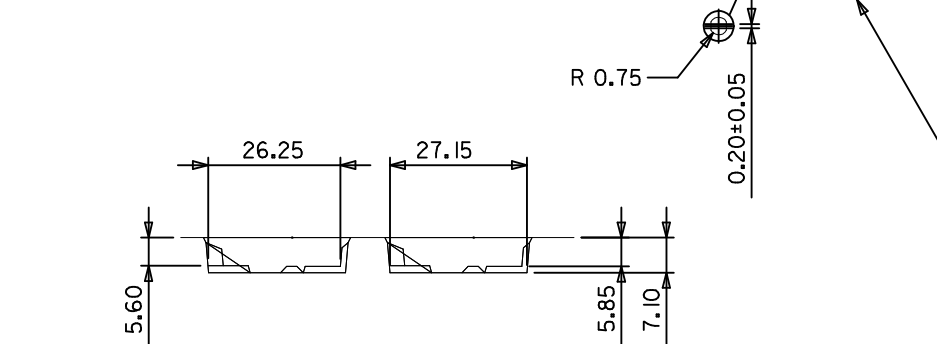
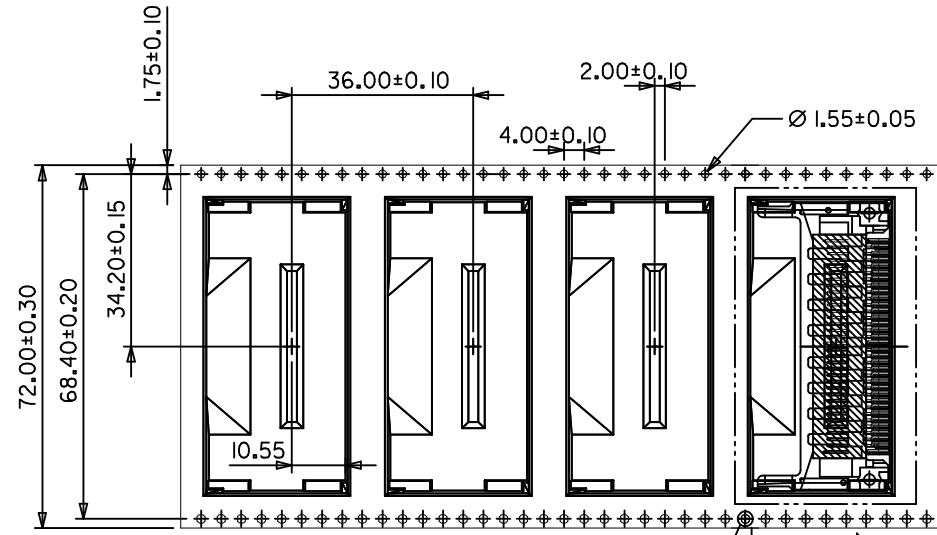
REVISED	DESCRIPTION
EC NO: SH2009-0192	
DRWN:XQZHANG 2008/09/25	
CHKD:XJSONG 2008/09/29	
APPR:HWANG 2008/10/27	

QUALITY SYMBOLS	DESCRIPTION
▽=0	
∇=0	

GENERAL TOLERANCES (UNLESS SPECIFIED)	mm	INCH
4 PLACES	± ---	± ---
3 PLACES	± ---	± ---
2 PLACES	± 0.25	± .010
1 PLACE	± 0.25	± .010
ANGULAR ± 3°		

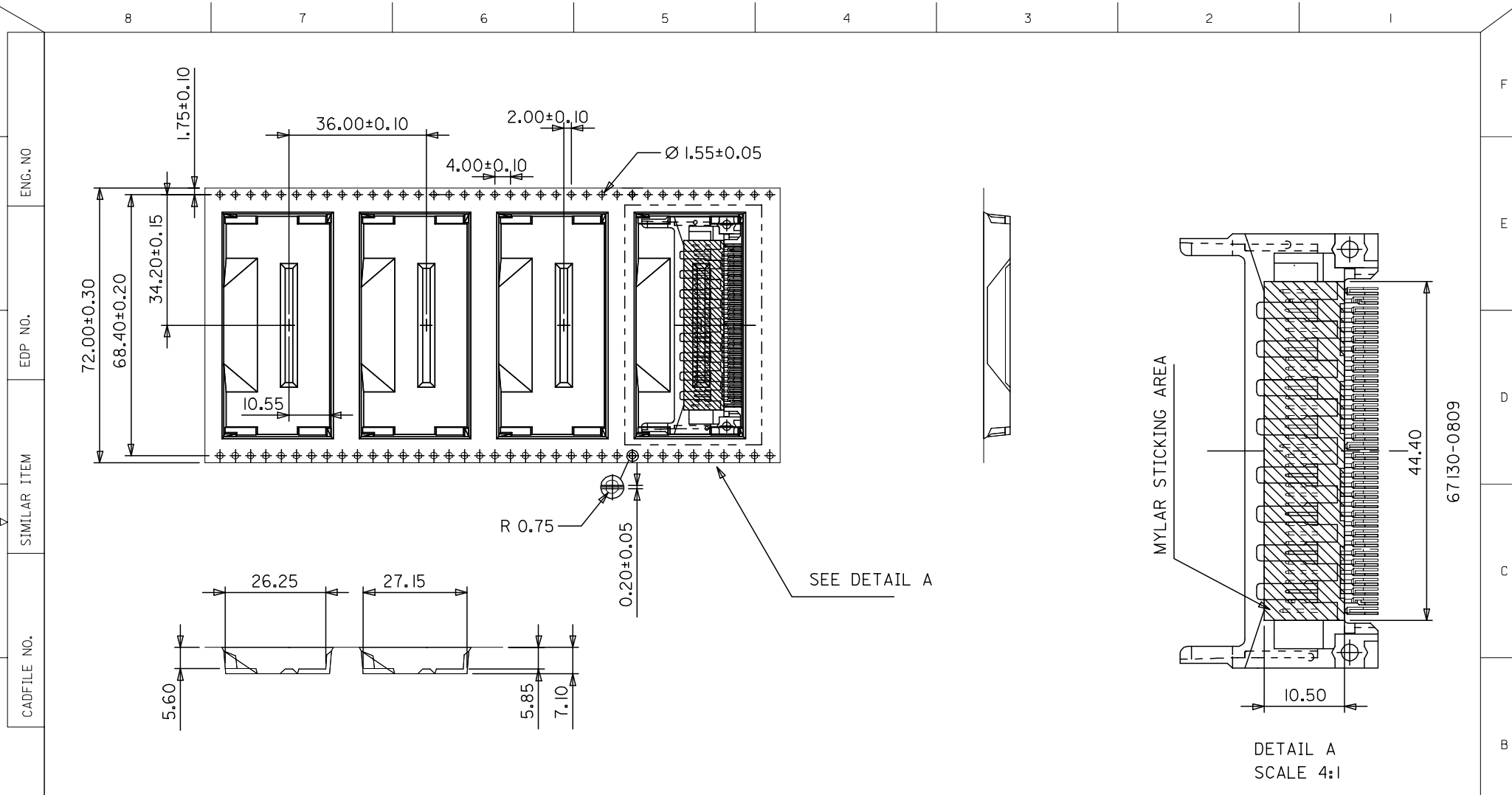
DRAWN BY		DATE
CHECKED BY		DATE
APPROVED BY		DATE
MATERIAL NO.		DOCUMENT NO.

DIMENSION STYLE	SCALE	DESIGN UNITS	THIRD ANGLE PROJECTION
MM ONLY	1:1	METRIC	
TITLE			
PC CARD HEADER ASS'Y LEAD-FREE FOR 3.3V SMT STANDARD TYPE			
DRAWN BY		DATE	
CHECKED BY		DATE	
APPROVED BY		DATE	
MATERIAL NO.		DOCUMENT NO.	SHEET NO.
SEE TABLE		SD-67130-005	1 OF 2



DETAIL A

REVISED EC NO: SH2009-0192 DRWN: XZ/HANG 2008/09/25 CHKD: XJ/SONG 2008/09/29 APPR: HW/WANG 2008/10/27	QUALITY SYMBOLS	GENERAL TOLERANCES (UNLESS SPECIFIED)	DIMENSION STYLE	SCALE	DESIGN UNITS	THIRD ANGLE PROJECTION
	▼=0 ◻=0	mm INCH 4 PLACES ± --- ± --- 3 PLACES ± --- ± --- 2 PLACES ± 0.25 ± .010 1 PLACE ± 0.25 ± .010 ANGULAR ± 3°	MM ONLY	1:1	METRIC	
	DESCRIPTION	DRAFT WHERE APPLICABLE MUST REMAIN WITHIN DIMENSIONS	DRAWN BY: JACK DATE: 2004/11/13 CHECKED BY: HW/WANG DATE: 2004/11/14 APPROVED BY: YTYAP DATE: 2004/11/14	TITLE: PC CARD HEADER ASS'Y LEAD-FREE FOR 3.3V SMT STANDARD TYPE MOLEX INCORPORATED		
	REV	SIZE: A3	MATERIAL NO.: SEE SHEET 1 DOCUMENT NO.: SD-67130-005 SHEET NO.: 2 OF 2	THIS DRAWING CONTAINS INFORMATION THAT IS PROPRIETARY TO MOLEX INCORPORATED AND SHOULD NOT BE USED WITHOUT WRITTEN PERMISSION		



DO NOT SCALE DRAWING

NEW RELEASE	QUALITY SYMBOLS MAJOR = 0 CRITICAL = 0	GENERAL TOLERANCES: (UNLESS SPECIFIED)		SCALE 2:1	DESIGN UNITS <input checked="" type="checkbox"/> mm <input type="checkbox"/> INCH	THIRD ANGLE PROJECTION	DIMENSIONS: <input type="checkbox"/> mm <input type="checkbox"/> INCH <input checked="" type="checkbox"/> mm ONLY	SHT	REV			
		4 PLACES ± .	± .	3 PLACES ± .	± .	2 PLACES ±0.25	± .	1 PLACE ±0.25	± .	ANGULAR: ±3°	CAD FILENAME	MATERIAL NO. SEE TABLE
EC NO. DRWN: JACK ZHANG 2004/11/12 CHK: APPR:	DESCRIPTION	DRAFT WHERE APPLICABLE MUST REMAIN WITHIN DIMENSIONS		DRAWN BY & DATE JACK ZHANG 2004/11/12		TITLE: PC CARD HEADER ASS'Y FOR 3.3V SMT STANDARD TYPE (LEAD-FREE)		REVISE ON CAD ONLY				
A	REV	THIS DRAWING CONTAINS INFORMATION THAT IS PROPRIETARY TO MOLEX INCORPORATED AND SHOULD NOT BE USED WITHOUT WRITTEN PERMISSION.		APPROVED BY & DATE		MOLEX INCORPORATED		SIZE A3				