

PLEASE CHECK WWW.MOLEX.COM FOR LATEST PART INFORMATION

Part Number: [0522070660](#)
Status: **Active**
Overview:
Description: 1.00mm (.039") Pitch FFC/FPC Connector, SMT, Right Angle, ZIF, Top Contact Style Receptacle, 6 Circuits, Lead-free, Gold Contact Plating, High Barrier Packaging

Agency Certification

| | |
|-----|---------|
| CSA | LR19980 |
| UL | E29179 |

General

| | |
|----------------|--------------------|
| Product Family | FFC/FPC Connectors |
| Series | 52207 |
| Overview | ffc_fpc_smt |
| Product Name | N/A |

Physical

| | |
|--------------------------------|-----------------------|
| Circuits (Loaded) | 6 |
| Color - Resin | Natural |
| Contact Position | Top |
| Durability (mating cycles max) | 30 |
| Entry Angle | 90° Angle |
| Flammability | 94V-0 |
| Mated Height (in) | 0.106 In |
| Mated Height (mm) | 2.70 mm |
| Material - Metal | Phosphor Bronze |
| Material - Plating Mating | Gold |
| Material - Plating Termination | Tin |
| Material - Resin | Nylon |
| Number of Rows | 1 |
| Orientation | Right Angle |
| PC Tail Length (in) | 0.079 In |
| PC Tail Length (mm) | 2.00 mm |
| PCB Locator | No |
| PCB Retention | Yes |
| Packaging Type | Embossed Tape on Reel |
| Pitch - Mating Interface (in) | 0.039 In |
| Pitch - Mating Interface (mm) | 1.00 mm |
| Polarized to PCB | Yes |
| Stackable | No |
| Temperature Range - Operating | -30°C to +85°C |
| Termination Interface: Style | Surface Mount |
| Wire/Cable Type | FFC/FPC |

Electrical

| | |
|-------------------------------|------|
| Current - Maximum per Contact | 1A |
| Voltage - Maximum | 125V |

Material Info

Reference - Drawing Numbers

| | |
|-------------------------|--|
| Packaging Specification | SPK-52207-002 |
| Product Specification | PS-52207-048, RPS-52207-073, RPS-52207-075, RPS-52207-078, RPS-52207-084, RPS-52207-090, RPS-52207-092, RPS-52207-094, RPS-52207-099, RPS-52207-101, RPS-52207-106 |
| Sales Drawing | SD-52207-064, SD-52207-065 |

EU RoHS

ELV and RoHS Compliant
REACH SVHC Contains SVHC: No
Halogen-Free Status

China RoHS



Not Halogen-Free

Need more information on product environmental compliance?

Email productcompliance@molex.com
 For a multiple part number RoHS Certificate of Compliance, [click here](#)

Please visit the [Contact Us](#) section for any non-product compliance questions.

Search Parts in this Series
[52207Series](#)

This document was generated on 06/04/2010

PLEASE CHECK WWW.MOLEX.COM FOR LATEST PART INFORMATION

注記 NOTES

△ 接点部までの嵌合長さ。
MATING LENGTH TO CONTACT POINT.

2. 使用材料 MATERIAL
ハウジング : 46ナイロン (耐熱性), UL94V-0
ハウジング : HEAT-RESISTANT NYLON46, UL94V-0
アクチュエータ : PPS, UL94V-0
アクチュエータ : PPS, UL94V-0
ターミナル : リン青銅 (t=0.32)
ターミナル : LIN BRONZE (t=0.32)

メッキ
コンタクト部 : 金メッキ 0.1マイクロメートル以上
テール部 : 錫メッキ 1.0マイクロメートル以上
下地メッキ : ニッケル 1.0マイクロメートル以上
TERMINAL : PHOS-BRO.(I=0.32)
PLATED
CONTACT AREA : GOLD PLATED 0.1MICROMETER MIN.
TAIL AREA : TIN PLATED 1.0MICROMETER MIN.
OVER PLATED : NICKEL PLATED 1.0MICROMETER MIN.
金具 : 銅合金 (t=0.25)
メッキ : 錫メッキ 1マイクロメートル以上
下地メッキ : ニッケル 1マイクロメートル以上
FITTING NAIL : PHOS-BRO.(I=0.25)
PLATED
OVER PLATED : TIN PLATED 1MICROMETER MIN.
OVER PLATED : NICKEL PLATED 1MICROMETER MIN.

△ パターンはくり止め用金具
FITTING NAIL FOR PREVENTION OF FOOT PRINT PEELING.

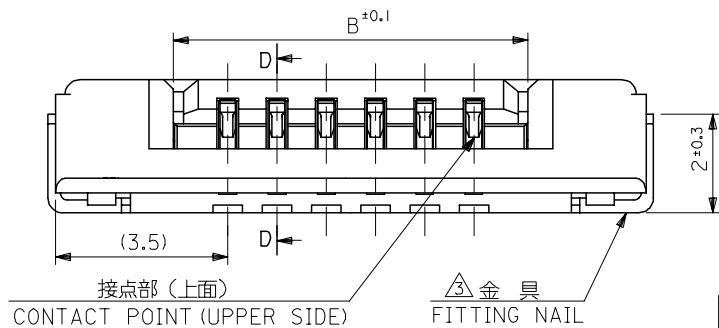
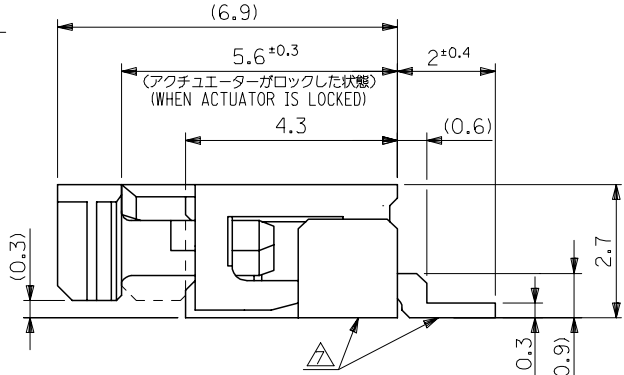
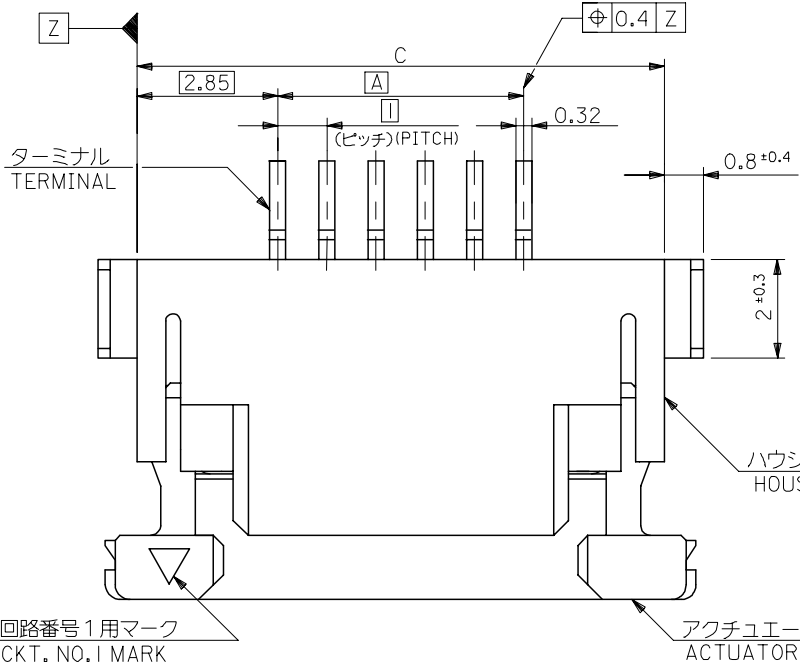
4. エンボステープ梱包時は、アクチュエータが
ロックした状態とする。
ACTUATOR TO BE LOCKED IN EMBOSSED TAPE PACKAGE.

△ FPC挿入深さ
INSERTION DEPTH OF FPC.

△ パターン書き込み禁止エリア。
NO FOOT PRINT AREA.

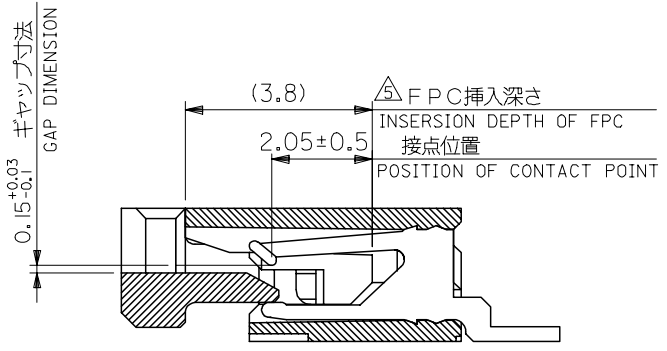
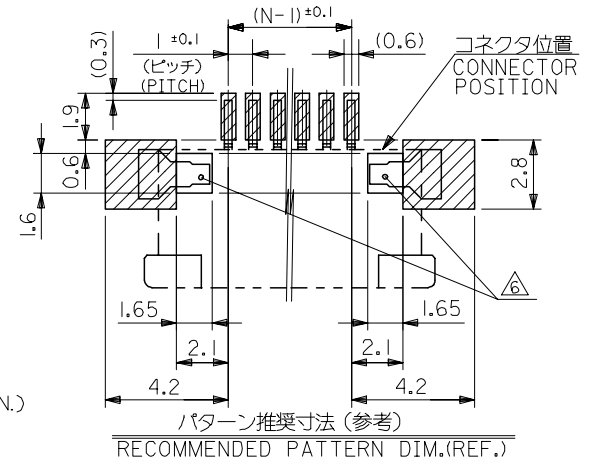
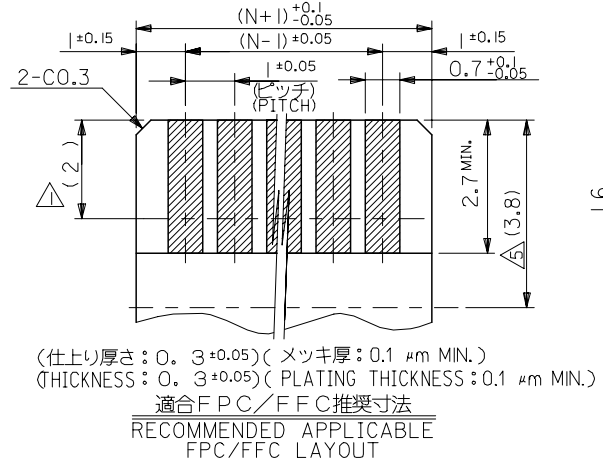
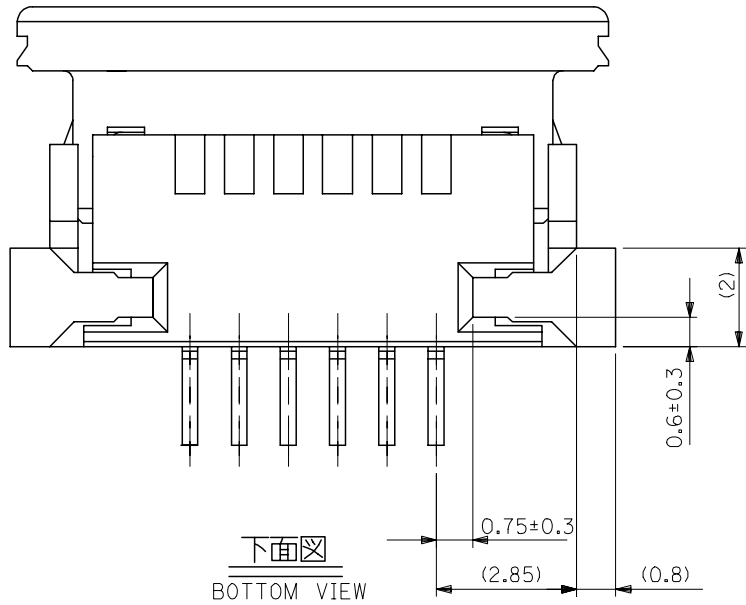
△ テール及び金具の平坦度は、0.15以下とする。
COPLANARITY OUT OF SPECIFICATION.
TAIL : 0.15 MAX.
NAIL : 0.15 MAX.

8. 本製品は 52207-xx*19 の鉛フリー品である。
THIS PRODUCT IS GOLD PLATING OF 52207-xx*19.



| | | | | |
|------|------|----|-----------------------|----------|
| 34.7 | 31.2 | 29 | 52207-3067 | 30 |
| 33.7 | 30.2 | 28 | 52207-2967 | 29 |
| 32.7 | 29.2 | 27 | 52207-2867 | 28 |
| 31.7 | 28.2 | 26 | 52207-2767 | 27 |
| 30.7 | 27.2 | 25 | 52207-2667 | 26 |
| 29.7 | 26.2 | 24 | 52207-2567 | 25 |
| 28.7 | 25.2 | 23 | 52207-2467 | 24 |
| 27.7 | 24.2 | 22 | 52207-2367 | 23 |
| 26.7 | 23.2 | 21 | 52207-2267 | 22 |
| 25.7 | 22.2 | 20 | 52207-2167 | 21 |
| 24.7 | 21.2 | 19 | 52207-2067 | 20 |
| 23.7 | 20.2 | 18 | 52207-1967 | 19 |
| 22.7 | 19.2 | 17 | 52207-1867 | 18 |
| 21.7 | 18.2 | 16 | 52207-1767 | 17 |
| 20.7 | 17.2 | 15 | 52207-1667 | 16 |
| 19.7 | 16.2 | 14 | 52207-1567 | 15 |
| 18.7 | 15.2 | 13 | 52207-1467 | 14 |
| 17.7 | 14.2 | 12 | 52207-1367 | 13 |
| 16.7 | 13.2 | 11 | 52207-1267 | 12 |
| 15.7 | 12.2 | 10 | 52207-1167 | 11 |
| 14.7 | 11.2 | 9 | 52207-1067 | 10 |
| 13.7 | 10.2 | 8 | 52207-0967 | 9 |
| 12.7 | 9.2 | 7 | 52207-0867 | 8 |
| 11.7 | 8.2 | 6 | 52207-0767 | 7 |
| 10.7 | 7.2 | 5 | 52207-0667 | 6 |
| 9.7 | 6.2 | 4 | 52207-0567 | 5 |
| 8.7 | 5.2 | 3 | 52207-0467 | 4 |
| 7.7 | 4.2 | 2 | 52207-0367 | 3 |
| C | B | A | MATERIAL NO. | 板数 |
| | | | MODEL NO. 52207-xx*67 | CIRCUITS |

| | | | | | | | | |
|---|--|-------|----------------------------|--------------------|---|------------------------|------------------------|--|
| REVISED EC NO: J2007-0873 DRWN: YOTANI 2006/09/22 CHKD: Y. MAEDA 2007/03/23 APPR: NUKITA 2007/03/26 | GENERAL TOLERANCES (UNLESS SPECIFIED) | | DIMENSION STYLE MM ONLY | | SCALE 10:1 | DESIGN UNITS METRIC | THIRD ANGLE PROJECTION | |
| | 10 UNDER | ±0.2 | DRAWN BY M. UMEDA | DATE 2005/03/02 | TITLE 1.0 FPC CONN. ZIF SMT HSG ASSY -LEAD FREE- | | | |
| | 10 OVER 30 UNDER | ±0.25 | CHECKED BY K. TOYODA | DATE 2005/03/02 | MOLEX INCORPORATED | | | |
| | 30 OVER | ±0.3 | APPROVED BY N. UKITA | DATE 2005/03/02 | DOCUMENT NO. SD-52207-064 | | | |
| | ANGULAR | ±1 ° | MATERIAL NO. SEE CHART | | SHEET NO. 1 OF 2 | | | |
| | DRAFT WHERE APPLICABLE MUST REMAIN WITHIN DIMENSIONS | | SIZE A3 | | THIS DRAWING CONTAINS INFORMATION THAT IS PROPRIETARY TO MOLEX INCORPORATED AND SHOULD NOT BE USED WITHOUT WRITTEN PERMISSION | | | |



断面D-D
SECT.D-D

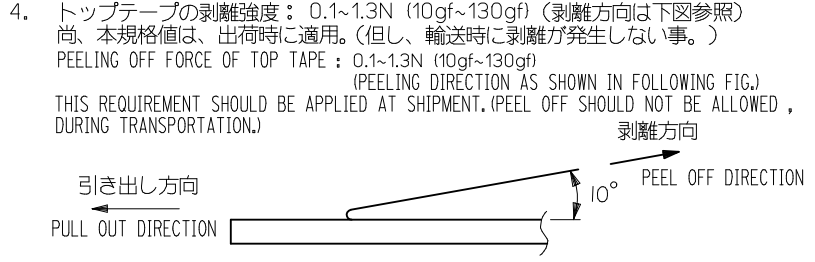
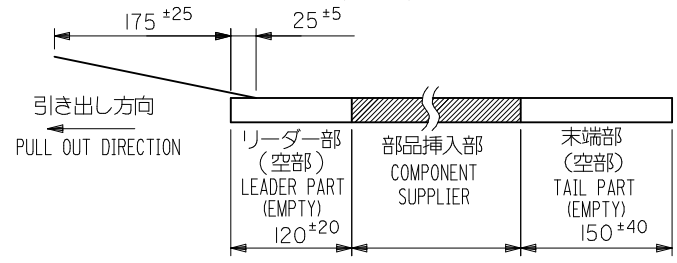
FPCについて:
 打抜き方向は、導体側から補強板側を推奨いたします。
 補強フィルム材質は、ポリイミドを推奨いたします。
 接着剤は、熱硬化接着剤を推奨いたします。

ABOUT FPC:
 RECOMMENDED PUNCHER DIRECTION: FROM CONDUCTOR SIDE TO STIFFENER BOARD SIDE.
 RECOMMENDED MATERIAL:
 STIFFENER FILM: POLYIMIDE
 BONDING AGENT: THERMOSETTING BONDING AGENT

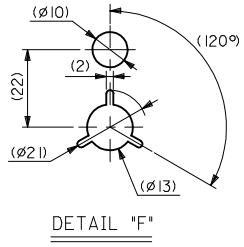
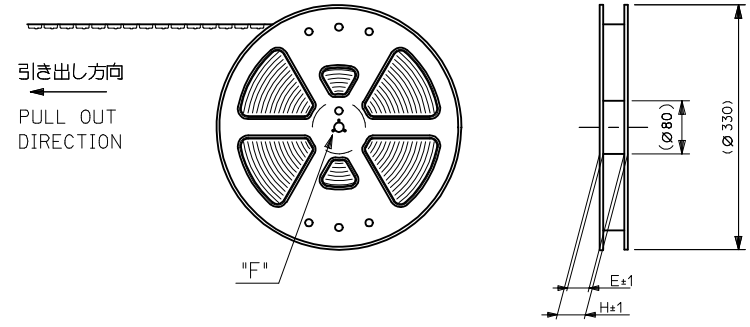
| | | | | | | |
|--|---------------------------------------|------------|---|------------------------------|---|------------------------|
| REVISED EC NO: J2007-0873 DRWN: OTANI 2006/09/22 CHKD: Y. MAEDA 2007/03/23 APPR: NUKITA 2007/03/26 | GENERAL TOLERANCES (UNLESS SPECIFIED) | | DIMENSION STYLE MM ONLY | SCALE 10:1 | DESIGN UNITS METRIC | THIRD ANGLE PROJECTION |
| | 10 UNDER | ±0.2 | DRAWN BY M.UMEDA | DATE 2005/03/02 | TITLE 1.0 FPC CONN. ZIF SMT HSG ASSY -LEAD FREE- | |
| | 10 OVER 30 UNDER | ±0.25 | CHECKED BY K.TOYODA | DATE 2005/03/02 | MOLEX INCORPORATED | |
| | 30 OVER | ±0.3 | APPROVED BY N.NUKITA | DATE 2005/03/02 | SHEET NO. 2 OF 2 | |
| | ANGULAR | ±1 ° | MATERIAL NO. SEE SHEET 1 | DOCUMENT NO. SD-52207-064 | | |
| DRAFT WHERE APPLICABLE MUST REMAIN WITHIN DIMENSIONS | | SIZE A3 | THIS DRAWING CONTAINS INFORMATION THAT IS PROPRIETARY TO MOLEX INCORPORATED AND SHOULD NOT BE USED WITHOUT WRITTEN PERMISSION | | | |

注記

- 製品番号 52207-**67 の梱包状態はアクチュエータがロックした状態とする。
 詳細寸法については図面 SD-52207-064 を参照下さい。
 IN THE PACKAGE, ACTUATOR OF PART NO. 52207-**67 SHOULD BE LOCKED
 RE DETAILED DIMENSIONS, SEE SD-52207-064
- 梱包数量：1000個/リール
 NUMBER OF CONNECTORS: 1000PCS/REEL
- リードテープ長さ(LEAD TAPE LENGTH)
 トップテープ TOP TAPE トップテープ TOP TAPE
 リーダー部 LEADER PART 未接着部 NON-BONDED PART



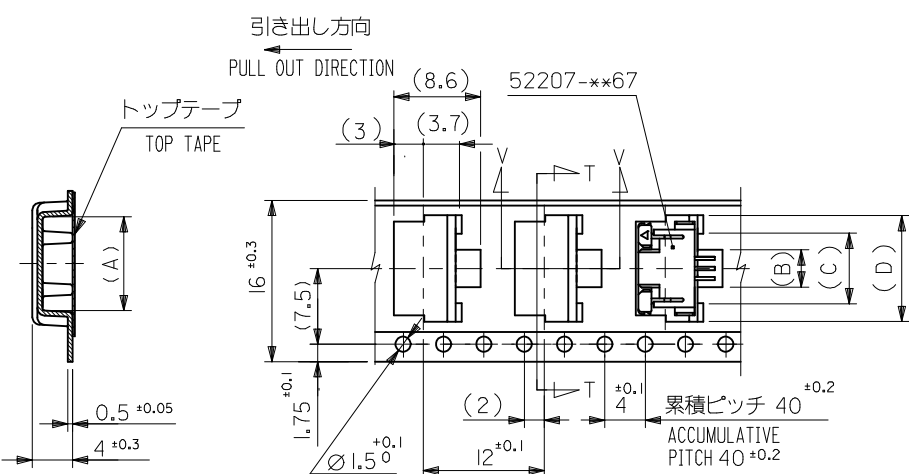
- トップテープの剥離強度：0.1~1.3N (10gf~130gf) (剥離方向は下図参照) 尚、本規格値は、出荷時に適用。(但し、輸送時に剥離が発生しない事。)
 PEELING OFF FORCE OF TOP TAPE: 0.1~1.3N (10gf~130gf)
 (PEELING DIRECTION AS SHOWN IN FOLLOWING FIG.)
 THIS REQUIREMENT SHOULD BE APPLIED AT SHIPMENT. (PEEL OFF SHOULD NOT BE ALLOWED, DURING TRANSPORTATION.)
- 材料 (MATERIAL)
 キャリアテープ (CARRIER TAPE): ポリプロピレン (POLYPROPYLENE)
 トップテープ (TOPTAPE): PET, PE, PEF
 リール (REEL): ポリスチレン (PS) <リサイクル材を含む>
 POLYSTYRENE (PS) <RECYCLE MATERIAL CONTAINED>
- 本製品は 52207-**85 の金メッキ品である。
 THIS PRODUCT IS GOLD PLATING OF 52207-**85.
- 本製品は乾燥剤入り、ハイバリア梱包仕様である。
 THIS PRODUCT IS HIGH BARRIER PACKAGE WITH DESICCANT.



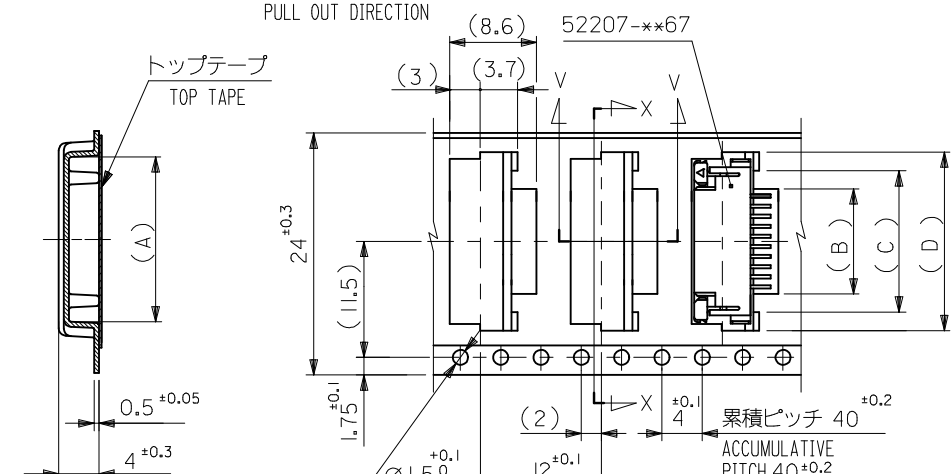
DETAIL "F"

MODEL No.52207-**60

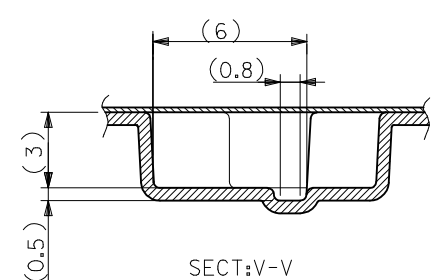
| | | | | | | | | | | |
|---|--------------------|--|-------|-----------------------------|--------------------|--|------------------------|------------------------|--|--|
| REVISED EC NO: J2009-2061 DRWN:TKON 2009/05/20 CHKD:HATSUMOTO 2009/05/21 APPR:NUKITA 2009/05/21 | DESCRIPTION REV | GENERAL TOLERANCES (UNLESS SPECIFIED) | | DIMENSION STYLE MM ONLY | | SCALE --- | DESIGN UNITS METRIC | THIRD ANGLE PROJECTION | | |
| | | 10 UNDER | ±0.2 | DRAWN BY M.UMEDA | DATE 2005/03/03 | TITLE 1.0 FPC CONN. ZIF SMT WITH EMBSTP PKG -LEAD FREE- | | | | |
| | | 10 OVER 30 UNDER | ±0.25 | CHECKED BY K.TOYODA | DATE 2005/03/03 | MOLEX INCORPORATED | | | | |
| | | 30 OVER | ±0.3 | APPROVED BY N.UKITA | DATE 2005/03/03 | DOCUMENT NO. SD-52207-065 | | | | |
| | | ANGULAR ±1 ° DRAFT WHERE APPLICABLE MUST REMAIN WITHIN DIMENSIONS | | MATERIAL NO. SEE SHEET 2 | | SHEET NO. 1 OF 5 | | | | |



SECT:T-T
16mm 幅 キャリアテープ
16mm WIDTH CARRIER TAPE



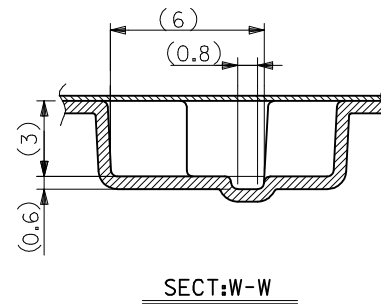
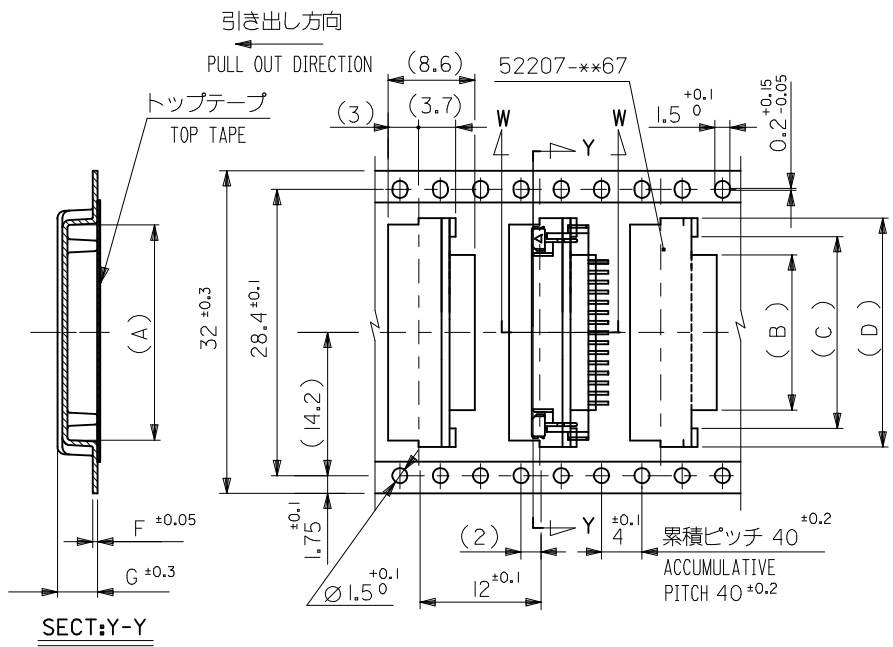
SECT:X-X
24mm 幅 キャリアテープ
24mm WIDTH CARRIER TAPE



SECT:V-V

| | | | | | | | | |
|--------------------------------|------|------|------|-----|------|------|-----------------------|------------|
| 24 | 29.4 | 25.4 | 18.5 | 15 | 11.7 | 17.3 | 52207-1160 | 11 |
| | | | 17.5 | 14 | 10.7 | 16.3 | 52207-1060 | 10 |
| | | | 16.5 | 13 | 9.7 | 15.3 | 52207-0960 | 9 |
| | | | 15.5 | 12 | 8.7 | 14.3 | 52207-0860 | 8 |
| | | | 14.5 | 11 | 7.7 | 13.3 | 52207-0760 | 7 |
| | | | 13.5 | 10 | 6.7 | 12.3 | 52207-0660 | 6 |
| | | | 12.5 | 9 | 5.7 | 11.3 | 52207-0560 | 5 |
| | | | 11.5 | 8 | 4.7 | 10.3 | 52207-0460 | 4 |
| 16 | 21.4 | 17.4 | 10.5 | 7 | 3.7 | 9.3 | 52207-0360 | 3 |
| キャリアテープ幅 CARRIER TAPE WIDTH | H | E | (D) | (C) | (B) | (A) | MATERIAL NO. | 極数 CKT. |
| | | | | | | | MODEL NO. 52207-**-60 | |

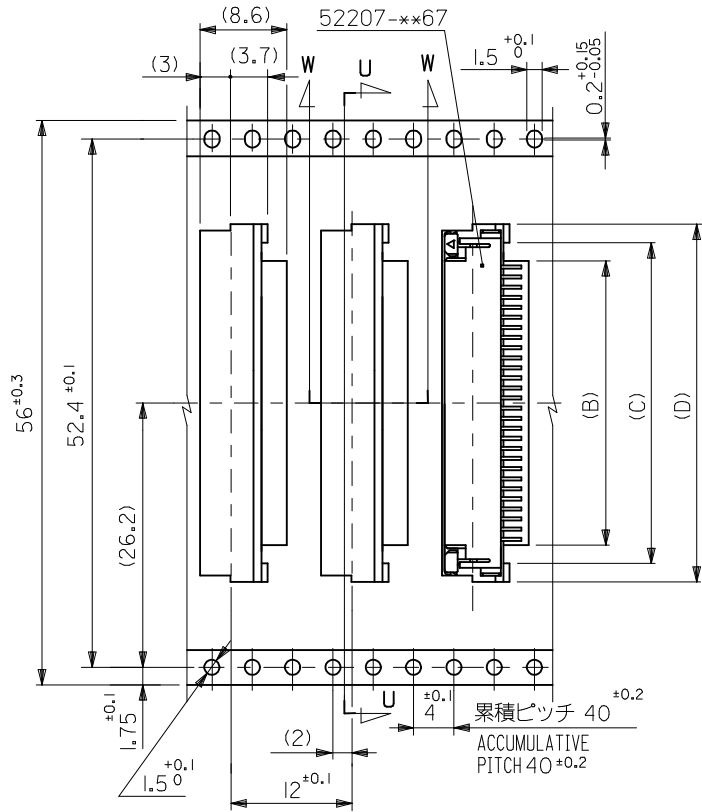
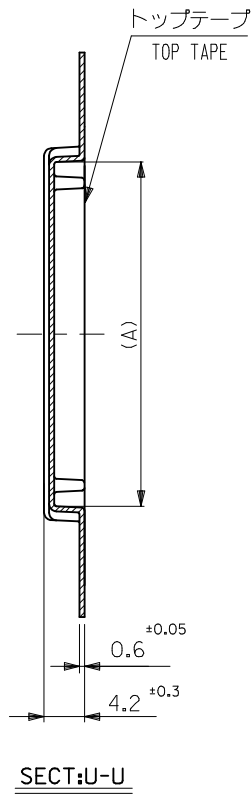
| | | | | | | | | |
|---|--|-------|----------------------------|--------------------|--|------------------------|------------------------|--|
| REVISED EC NO.: J2009-2061 DRWN:TKON 2009/05/20 CHKD:HMATSUMOTO 2009/05/21 APPR:NUKITA 2009/05/21 | GENERAL TOLERANCES (UNLESS SPECIFIED) | | DIMENSION STYLE MM ONLY | | SCALE --- | DESIGN UNITS METRIC | THIRD ANGLE PROJECTION | |
| | 10 UNDER | ±0.2 | DRAWN BY M.UMEDA | DATE 2005/03/03 | TITLE 1.0 FPC CONN. ZIF SMT WITH EMBSTP PKG -LEAD FREE- | | | |
| | 10 OVER 30 UNDER | ±0.25 | CHECKED BY K.TOYODA | DATE 2005/03/03 | MOLEX INCORPORATED | | | |
| | 30 OVER | ±0.3 | APPROVED BY N.UKITA | DATE 2005/03/03 | DOCUMENT NO. SD-52207-065 | | | |
| | ANGULAR ±1 ° DRAFT WHERE APPLICABLE MUST REMAIN WITHIN DIMENSIONS | | MATERIAL NO. SEE TABLE | | SHEET NO. 2 OF 5 | | | |



32mm 幅 キャリアテープ
32mm WIDTH CARRIER TAPE

| | | | | | | | | | | |
|--------------------------------|------|------|-----|-----|------|-----|------|-------|-----------------------|------------|
| 32 | 37.4 | 33.4 | 4.0 | 0.5 | 23.5 | 20 | 16.7 | 22.35 | 52207-1660 | 16 |
| | | | 4.2 | 0.6 | 22.5 | 19 | 15.7 | 21.35 | 52207-1560 | 15 |
| | | | 4.2 | 0.6 | 21.5 | 18 | 14.7 | 20.35 | 52207-1460 | 14 |
| | | | 4.2 | 0.6 | 20.5 | 17 | 13.7 | 19.35 | 52207-1360 | 13 |
| | | | 4.2 | 0.6 | 19.5 | 16 | 12.7 | 18.35 | 52207-1260 | 12 |
| キャリアテープ幅 CARRIER TAPE WIDTH | H | E | (G) | (F) | (D) | (C) | (B) | (A) | MATERIAL NO. | 種数 CKT. |
| | | | | | | | | | MODEL NO. 52207-***60 | |

| | | | | | | | | | | | |
|--|---|--|-------|----------------------------|--------------------|--|------------------------|---------------------------|--|--|--|
| REVISED EC NO.: J2009-2061 DRWN:TKON CHKD:HMATSUMOTO APPR:NUKITA | DESCRIPTION 2009/05/20 2009/05/21 2009/05/21 | GENERAL TOLERANCES (UNLESS SPECIFIED) | | DIMENSION STYLE MM ONLY | | SCALE --- | DESIGN UNITS METRIC | THIRD ANGLE PROJECTION | | | |
| | | 10 UNDER | ±0.2 | DRAWN BY M.UMEDA | DATE 2005/03/03 | TITLE 1.0 FPC CONN ZIF SMT WITH EMBSTP PKG -LEAD FREE- | | | | | |
| | | 10 OVER 30 UNDER | ±0.25 | CHECKED BY K.TOYODA | DATE 2005/03/03 | MOLEX INCORPORATED | | | | | |
| | | 30 OVER | ±0.3 | APPROVED BY N.UKITA | DATE 2005/03/03 | MATERIAL NO. DOCUMENT NO. SD-52207-065 | | | | | |
| | | ANGULAR ±1 ° DRAFT WHERE APPLICABLE MUST REMAIN WITHIN DIMENSIONS | | SIZE A3 | | THIS DRAWING CONTAINS INFORMATION THAT IS PROPRIETARY TO MOLEX INCORPORATED AND SHOULD NOT BE USED WITHOUT WRITTEN PERMISSION | | | | | |
| REV | DESCRIPTION | | | | | | | SHEET NO. 3 OF 5 | | | |



56mm 幅 キャリアテープ
56mm WIDTH CARRIER TAPE

| | | | | | | | | |
|--------------------------------|------|------|------|-----|------|-------|--------------|---------|
| 56 | 61.4 | 57.4 | 37.5 | 34 | 30.7 | 36.35 | 52207-3060 | 30 |
| | | | 36.5 | 33 | 29.7 | 35.35 | 52207-2960 | 29 |
| | | | 35.5 | 32 | 28.7 | 34.35 | 52207-2860 | 28 |
| キャリアテープ幅 CARRIER TAPE WIDTH | F | E | (D) | (C) | (B) | (A) | MATERIAL NO. | CIRCUIT |

| | | | | | | | | |
|--|---------------------------------------|------------|----------------------------|--------------------|---|------------------------|--------------------------|--|
| REVISED EC NO: J2009-2061 DRWN:TKON 2009/05/20 CHKD:HMATSUMOTO 2009/05/21 APPR:NUKITA 2009/05/21 G REV | GENERAL TOLERANCES (UNLESS SPECIFIED) | | DIMENSION STYLE MM ONLY | | SCALE --- | DESIGN UNITS METRIC | MODEL NO. 52207-***60 | |
| | 10 UNDER | ±0.2 | DRAWN BY M.UMEDA | DATE 2005/03/03 | TITLE 1.0 FPC CONN ZIF SMT WITH EMBSTP PKG -LEAD FREE- | | | |
| | 10 OVER 30 UNDER | ±0.25 | CHECKED BY K.TOYODA | DATE 2005/03/03 | MOLEX INCORPORATED | | | |
| | 30 OVER | ±0.3 | APPROVED BY N.UKITA | DATE 2005/03/03 | DOCUMENT NO. SD-52207-065 | | SHEET NO. 5 OF 5 | |
| | ANGULAR ±1 ° | | MATERIAL NO. SEE TABLE | | THIS DRAWING CONTAINS INFORMATION THAT IS PROPRIETARY TO MOLEX INCORPORATED AND SHOULD NOT BE USED WITHOUT WRITTEN PERMISSION | | | |
| DRAFT WHERE APPLICABLE MUST REMAIN WITHIN DIMENSIONS | | SIZE A3 | | | | | | |