

PLEASE CHECK WWW.MOLEX.COM FOR LATEST PART INFORMATION

Part Number: [0351899252](#)
Status: **Planned for Obsolescence**
Description: 4.75mm (.187") Tab, MP-Lock™ Housing, 2 Circuits, 16.00mm (.630") Pitch, UL94V-0, Polypropylene, Red

Documents:

[3D Model](#) [Product Specification PS-35189-001 \(PDF\)](#)
[Drawing \(PDF\)](#) [RoHS Certificate of Compliance \(PDF\)](#)

General

Product Family Crimp Housings
 Series [35189](#)
 Product Name MP-Lock™

Physical

Breakaway No
 Circuits (maximum) 2
 Gender Female
 Glow-Wire Compliant No
 Keying to Mating Part None
 Lock to Mating Part None
 Number of Rows 1
 Packaging Type Bag
 Panel Mount No
 Pitch - Mating Interface (in) 0.630 In
 Pitch - Mating Interface (mm) 16.00 mm
 Polarized to Mating Part Yes
 Stackable No
 Temperature Range - Operating -40°C to +105°C

Electrical

Current - Maximum per Contact 12A

Material Info

Reference - Drawing Numbers

Product Specification PS-35189-001
 Sales Drawing SD-35189-0250

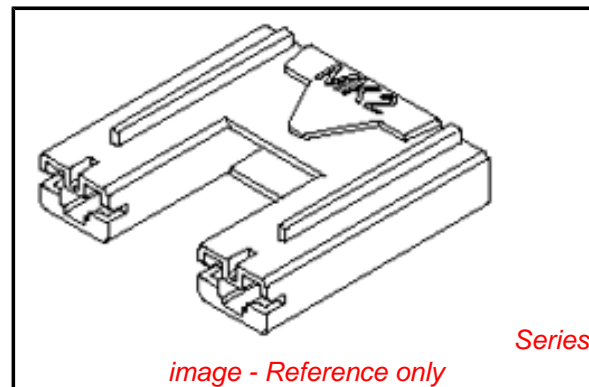


image - Reference only

EU RoHS

**ELV and RoHS
 Compliant**
**REACH SVHC
 Not Reviewed**
**Halogen-Free
 Status
 Not Reviewed**

China RoHS



**Need more information on product
 environmental compliance?**

Email productcompliance@molex.com
 For a multiple part number RoHS Certificate of Compliance, [click here](#)

Please visit the [Contact Us](#) section for any non-product compliance questions.

Search Parts in this Series

[35189Series](#)

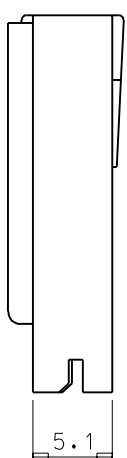
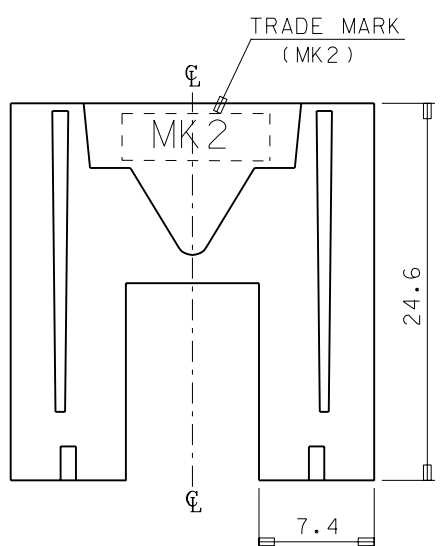
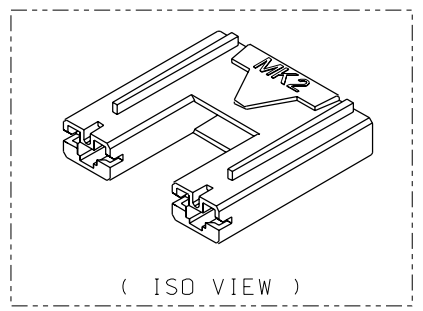
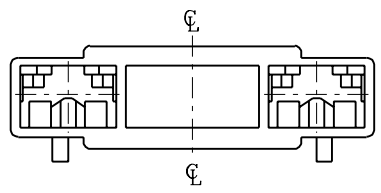
Mates With

Appliance Motor|Appliance Transformer

Use With

[35068](#) MP-Lock™ Quick Disconnect

DWG. NO. SD-35189-0250
 SIMILAR ITEM
 PROJECT NO.
 DO NOT SCALE DRAWING DIMENSION IN METRIC

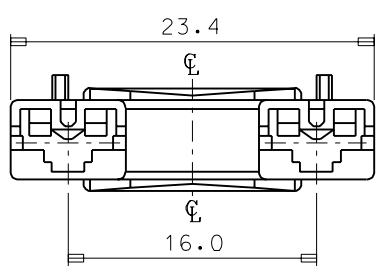
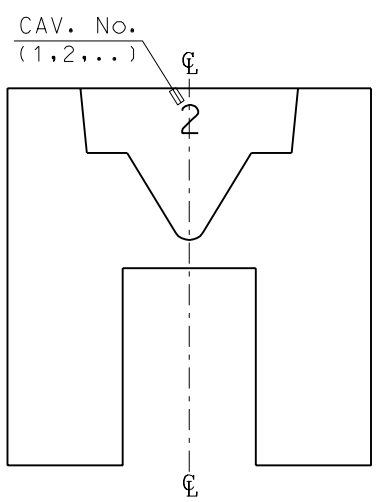


NOTES

1. MATERIAL & COLOR

MATERIAL NO.	ENG NO.	COLOR	MATERIAL
351890250	35189-0250	NATURAL	NYLON66(UL94V-2)
351890251	35189-0251	NATURAL	NYLON66(UL94V-0)
351899250	35189-9250	NATURAL	POLYPROPYLENE (UL 94V-0)
351899252	35189-9252	RED	
351899253	35189-9253	YELLOW	
351899254	35189-9254	BLUE	

2. APPLICABLE TERMINAL : 35068 - 9**2



REVISED ECN NO. KOR2002-0028 DRWN: C.B.CHIN 01/10/12 CHK: W.Y. YANG APPR: C.W.LEE	QUALITY SYMBOLS MAJOR : 0 CRITICAL : 0	GENERAL TOLERANCES: (UNLESS SPECIFIED)		SCALE 3:1	DESIGN UNITS <input checked="" type="checkbox"/> mm <input type="checkbox"/> INCH	THIRD ANGLE PROJECTION	DIMENSIONS: <input type="checkbox"/> mm <input type="checkbox"/> INCH <input checked="" type="checkbox"/> mm ONLY	SHT REV		
		4 PLACES ±0.1 mm ±.1 INCH 3 PLACES ±0.1 mm ±.1 INCH 2 PLACES ±0.1 mm ±.1 INCH 1 PLACE ±0.3 mm ±.1 INCH	ANGLAR: ± 1 °	DRAWN BY & DATE J.S.KANG 01/04/17	CHECKED BY & DATE B.K.CHOI 01/04/17	APPROVED BY & DATE C.W.LEE 01/04/17	TITLE: .187 MP-LOCK HSG-2P (16mm PITCH)	MOLEX MOLEX INCORPORATED	CAD FILENAME S35189AA.DGN	MATERIAL NO. SEE NOTES
C	REV	DRAFT WHERE APPLICABLE MUST REMAIN WITHIN DIMENSIONS		THIS DRAWING CONTAINS INFORMATION THAT IS PROPRIETARY TO MOLEX INCORPORATED AND SHOULD NOT BE USED WITHOUT WRITTEN PERMISSION.				SIZE B		