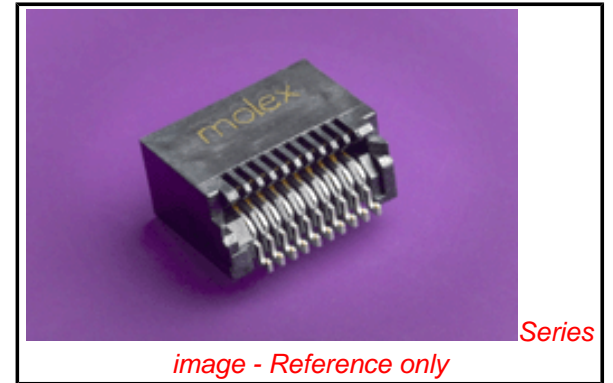


**PLEASE CHECK WWW.MOLEX.COM FOR LATEST PART INFORMATION**

**Part Number:** [0744410010](#)  
**Status:** **Active**  
**Overview:** [sfp\\_sfp host connectors](#)  
**Description:** 0.80mm (.031") Pitch SFP, SFP Plus (SFP+) Host Connector, Z-Axis Pluggable, Right Angle, SMT, 20 Circuits, 0.76µm (30µ") Gold (Au)

**Documents:**

<a href="#">3D Model</a>	<a href="#">Product Specification PS-74441-001 (PDF)</a>
<a href="#">Application Specification (PDF)</a>	<a href="#">RoHS Certificate of Compliance (PDF)</a>
<a href="#">Drawing (PDF)</a>	



**Agency Certification**

CSA	LR19980
UL	E29179

**General**

Product Family	I/O Connectors
Series	<a href="#">74441</a>
Application	Module-to-Board
Component Type	Receptacle
Overview	<a href="#">sfp_sfp host connectors</a>
Product Name	Z-Axis Pluggable
Type	N/A

**Physical**

Boot Color	N/A
Circuits (Loaded)	20
Circuits (maximum)	20
Circuits Detail	20
Color - Resin	Black
Durability (mating cycles max)	200
Flammability	94V-0
Gender	Receptacle
Keying to Mating Part	Yes
Lock to Mating Part	Yes
Material - Metal	High Performance Alloy (HPA)
Material - Plating Mating	Gold
Material - Plating Termination	Tin
Material - Resin	High Temperature Thermoplastic
Number of Rows	2
Orientation	Right Angle
PCB Locator	Yes
PCB Retention	Yes
Packaging Type	Embossed Tape on Reel
Panel Mount	No
Pitch - Mating Interface (in)	0.031 In
Pitch - Mating Interface (mm)	0.80 mm
Pitch - Term. Interface (in)	0.031 In
Pitch - Term. Interface (mm)	0.80 mm
Plating min: Mating (µin)	30.4
Plating min: Mating (µm)	0.76
Plating min: Termination (µm)	2.54
Polarized to Mating Part	Yes
Polarized to PCB	No
Ports	1
Surface Mount Compatible (SMC)	Yes

**EU RoHS**

**ELV and RoHS  
Compliant**  
**REACH SVHC**  
 Not Reviewed  
**Halogen-Free  
Status**

**China RoHS**



**Need more information on product  
environmental compliance?**

Email [productcompliance@molex.com](mailto:productcompliance@molex.com)  
 For a multiple part number RoHS Certificate of Compliance, [click here](#)

Please visit the [Contact Us](#) section for any non-product compliance questions.

**Search Parts in this Series**

[74441Series](#)

**Mates With**

SFP Modules

**Use With**

EMI Shield, [73927](#) SFP Cage, [86025](#) LC Duplex Cable Assembly, Guide Frame, [73939](#) HSSDC2 Cable Assembly

Temperature Range - Operating	-40°C to +85°C
Termination Interface: Style	Surface Mount
Waterproof / Dustproof	No
Wire Size AWG	N/A

### **Electrical**

Current - Maximum per Contact	0.5A
Grounding to Panel	Yes
Shielded	No
Voltage - Maximum	30V AC (RMS)/DC

### **Solder Process Data**

Duration at Max. Process Temperature (seconds)	40
Lead-free Process Capability	Reflow Capable (SMT only)
Max. Cycles at Max. Process Temperature	3
Process Temperature max. C	260

### **Material Info**

#### **Reference - Drawing Numbers**

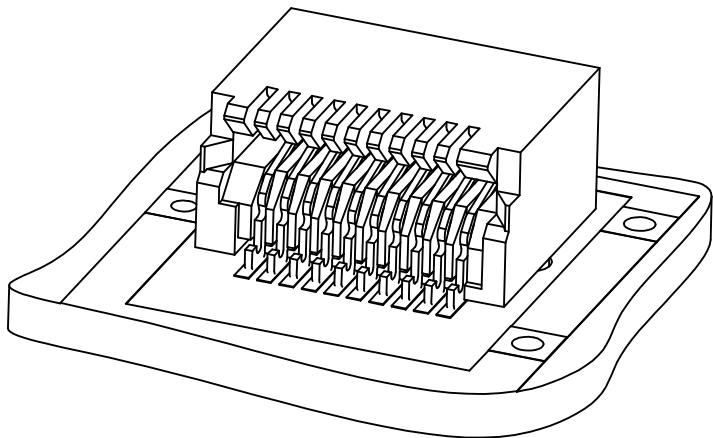
Application Specification	AS-74441-001
Product Specification	PS-74441-001
Sales Drawing	SD-74441-001
Test Summary	TS-74441-002, TS-74441-004, TS-74441-010

This document was generated on 05/19/2010

**PLEASE CHECK [WWW.MOLEX.COM](http://WWW.MOLEX.COM) FOR LATEST PART INFORMATION**

SALES ASSEMBLY DRAWINGS FOR SMALL FORM-FACTOR AND Z AXIS PLUGGABLE CONNECTORS

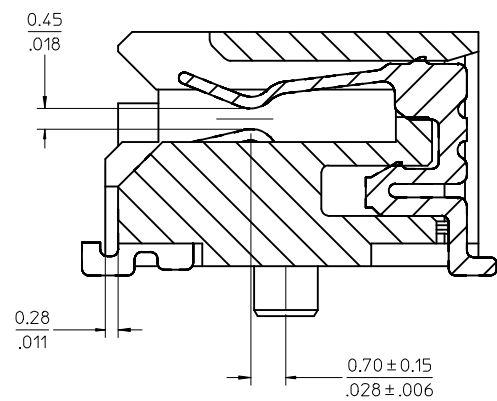
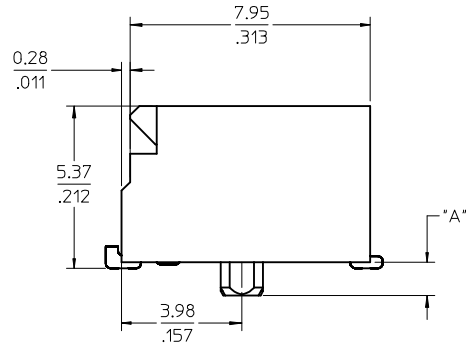
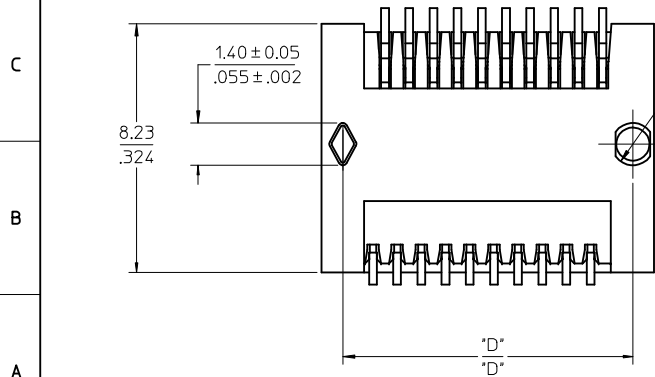
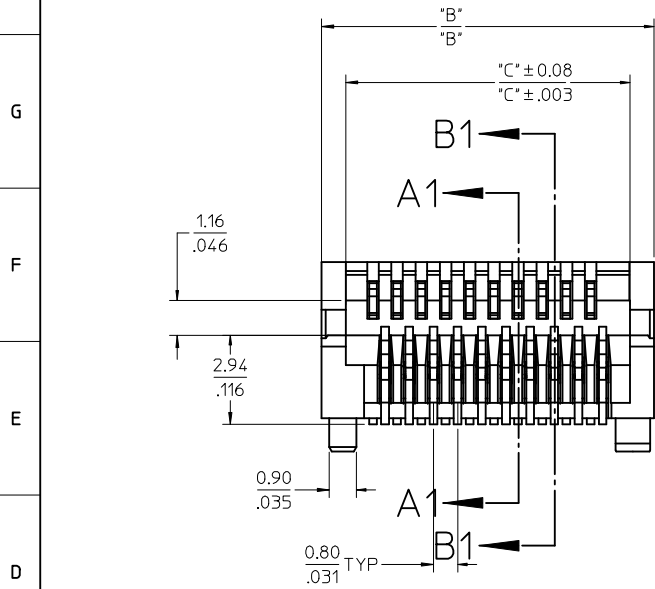
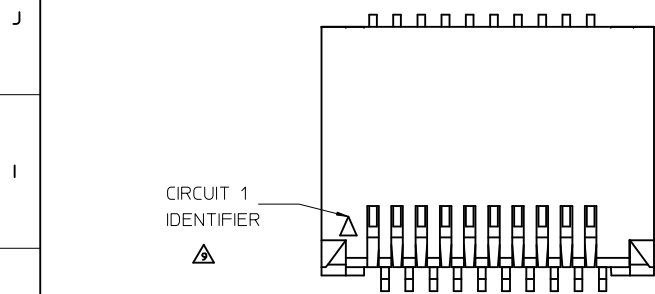
CKT SIZE	PART NUMBER	TOOLED	DESCRIPTION	"A"	"B"	"C"	"D"	MULTI-SOURCE AGREEMENT	CONNECTOR DRAWING	CIRCUIT BOARD DRAWING
20	74441-0001	YES	PLATED PER NOTE 2	1.10/.043	11.00/.433	9.40/.370	9.60/.378	SFP	PAGE 2	PAGE 3
	74441-0004	NO*	PLATED PER NOTE 2	0.76/.030						
	74441-0010	YES	PLATED PER NOTE 3	1.10/.043						
	74441-0014	NO*	PLATED PER NOTE 3	0.76/.030						
	74441-0021	YES	PLATED PER NOTE 4	1.10/.043						
	74441-0031	YES	PLATED PER NOTE 5	1.10/.043						
30	74441-0007	YES	PLATED PER NOTE 2	1.10/.043	15.00/.591	13.40/.528	13.60/.535	XFP	PAGE 2	PAGE 4
	74441-0017	YES	PLATED PER NOTE 3	1.10/.043						
	74441-0027	YES	PLATED PER NOTE 4	1.10/.043						
40	74441-0005	YES	PLATED PER NOTE 2	1.10/.043	19.00/.748	17.40/.685	17.60/.693		PAGE 2	PAGE 5
	74441-0015	YES	PLATED PER NOTE 3	1.10/.043						
	74441-0025	YES	PLATED PER NOTE 4	1.10/.043						
50	74441-0008	YES	PLATED PER NOTE 2	1.10/.043	23.00/.906	21.40/.843	21.60/.850		PAGE 2	PAGE 6
	74441-0018	YES	PLATED PER NOTE 3	1.10/.043						
	74441-0028	YES	PLATED PER NOTE 4	1.10/.043						
	74441-0038	YES	PLATED PER NOTE 5	1.10/.043						
70	74441-0003	YES	PLATED PER NOTE 2	1.10/.043	31.00/1.220	29.40/1.157	29.60/1.165	XENPAK XPAK X2	PAGE 2	PAGE 7
	74441-0013	YES	PLATED PER NOTE 3	1.10/.043						
	74441-0023	YES	PLATED PER NOTE 4	1.10/.043						
	74441-0033	YES	PLATED PER NOTE 5	1.10/.043						



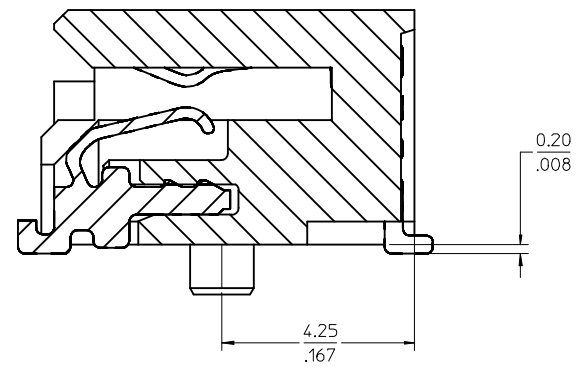
NOTES

- MATERIAL:**  
HOUSING - HIGH TEMPERATURE THERMOPLASTIC GLASS FILLED, UL 94V-0, BLACK  
TERMINALS - COPPER ALLOY
- PLATING:**  
CONTACT AREA - 0.38 μm MIN GOLD OVER 2.54 μm MIN NICKEL  
SOLDER FOOT AREA - 2.54 - 5.09 μm TIN OVER 2.54 μm MIN NICKEL.
- PLATING:**  
CONTACT AREA - 0.76 μm MIN GOLD OVER 2.54 μm NICKEL  
SOLDER AREA - 2.54 -5.09 μm TIN OVER 2.54 μm MIN NICKEL
- PLATING:**  
CONTACT AREA - 0.76 μm MIN GOLD OVER 2.54 μm NICKEL, LUBRICATED  
SOLDER AREA: GOLD FLASH OVER 2.54 μm MIN NICKEL.
- PLATING:**  
CONTACT AREA - 0.76 μm MIN GOLD OVER 2.54 μm NICKEL,  
SOLDER AREA: GOLD FLASH OVER 2.54 μm MIN NICKEL.
- PLATING:**  
CONTACT AREA - 0.38 μm MIN GOLD OVER 2.54 μm NICKEL,  
SOLDER AREA: GOLD FLASH OVER 2.54 μm MIN NICKEL.
- TERMINAL SOLDER FEET TO BE COPLANAR WITHIN 0.10/.004 FOR 20, 30 AND 40 CIRCUIT CONNECTORS  
TERMINAL SOLDER FEET TO BE COPLANAR WITHIN 0.15/.006 FOR 70 CIRCUIT CONNECTOR
- \* CONTACT PLANT FOR MORE INFORMATION
- DATE CODE: 4 DIGIT (3 DIGIT DATE, 1 DIGIT YEAR)
- CIRCUIT 1 IDENTIFIER LOCATED ON ALL PART NUMBERS

ADD -0041 EC NO: UCP2009-1455 DRWN:MS BARRA 2009/01/15 CHKD:BSMART 2009/01/15 APPR:SMILLER 2009/01/16	QUALITY SYMBOLS ▽=0 ▽=0	GENERAL TOLERANCES (UNLESS SPECIFIED)	DIMENSION STYLE MM/IN	SCALE 1:1	DESIGN UNITS METRIC	THIRD ANGLE PROJECTION
		4 PLACES ± --- ± --- 3 PLACES ± --- ± --- 2 PLACES ± 0.13 ± .005 1 PLACE ± 0.25 ± .010 ANGULAR ± 1/2°	DRAWN BY HAVERY DATE 00/04/06 CHECKED BY KSWEENEY DATE 00/04/06 APPROVED BY MBANAKIS DATE 00/04/06	TITLE SALES ASSEMBLY Z AXIS PLUGGABLE PCB CONNECTOR		
		DRAFT WHERE APPLICABLE MUST REMAIN WITHIN DIMENSIONS	SEE TABLE	DOCUMENT NO. SD-74441-001	SHEET NO. 1 OF 7	
		THIS DRAWING CONTAINS INFORMATION THAT IS PROPRIETARY TO MOLEX INCORPORATED AND SHOULD NOT BE USED WITHOUT WRITTEN PERMISSION				

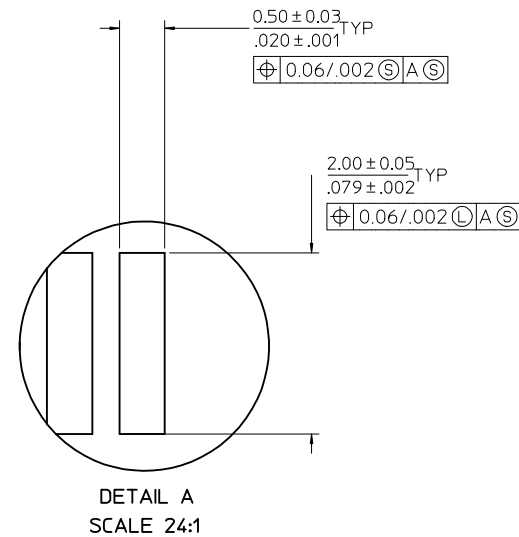
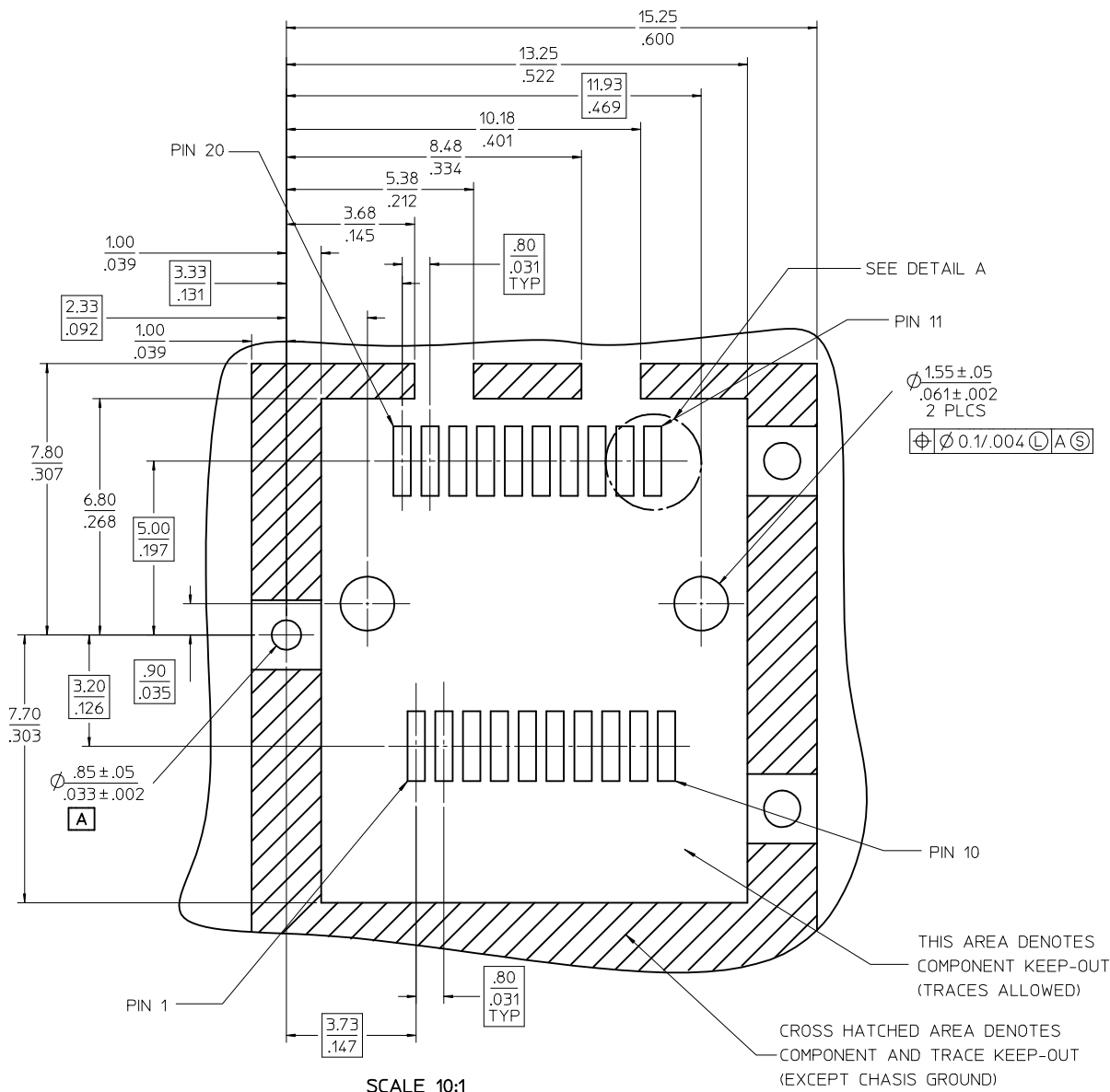


SECTION A1-A1  
SCALE 12:1



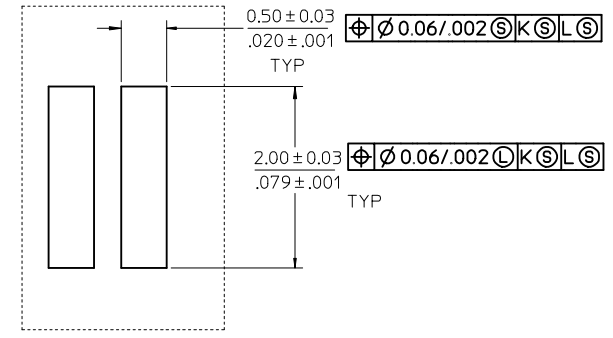
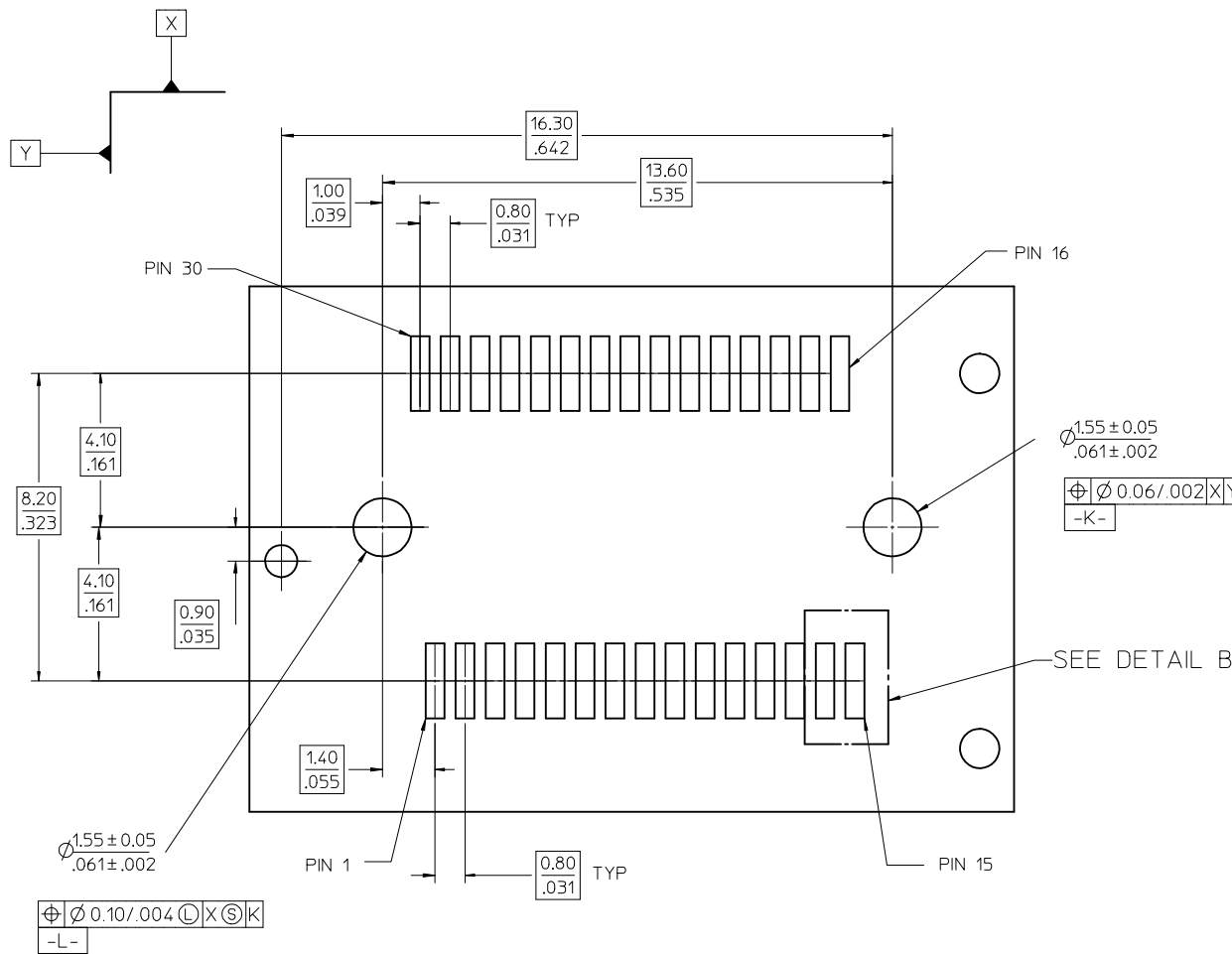
SECTION B1-B1  
SCALE 12:1

SEE SHEET 1 EC NO: UCP2009-1455 DRWN:MS BARRA 2009/01/15 CHKD:BSMART 2009/01/15 APPR:SMILLER 2009/01/16	DESCRIPTION QUALITY SYMBOLS ▽=0 ▽=0	GENERAL TOLERANCES (UNLESS SPECIFIED)		DIMENSION STYLE	SCALE	DESIGN UNITS	THIRD ANGLE PROJECTION		
				MM/IN	6:1	METRIC			
		4 PLACES ± --- ± ---	3 PLACES ± --- ± ---	2 PLACES ± 0.13 ± .005	1 PLACE ± 0.25 ± .010	DRAWN BY HAVERY	DATE 00/04/06	SALES ASSEMBLY Z AXIS PLUGGABLE PCB CONNECTOR	
		ANGULAR ±1/2°		DRAFT WHERE APPLICABLE MUST REMAIN WITHIN DIMENSIONS		CHECKED BY KSWEENEY	DATE 00/04/06	MOLEX INCORPORATED	
		SEE TABLE		APPROVED BY MBANAKIS	DATE 00/04/06	DOCUMENT NO. SD-74441-001			
				THIS DRAWING CONTAINS INFORMATION THAT IS PROPRIETARY TO MOLEX INCORPORATED AND SHOULD NOT BE USED WITHOUT WRITTEN PERMISSION		SHEET NO. 2 OF 7			



# 20 CIRCUIT MOTHER BOARD RECOMMENDED PCB LAYOUT

<b>SEE SHEET 1</b> EC NO: UCP2009-1455 DRAWN BY: DRWINMSI/BARRA CHECKED BY: CHKDBSMART APPR: SMILLER DATE: 2009/01/15 DATE: 2009/01/15 DATE: 2009/01/16	QUALITY SYMBOLS ▽=0 ▽=0	GENERAL TOLERANCES (UNLESS SPECIFIED) <table border="1"> <thead> <tr> <th></th> <th>mm</th> <th>INCH</th> </tr> </thead> <tbody> <tr> <td>4 PLACES</td> <td>± .005</td> <td>± .0005</td> </tr> <tr> <td>3 PLACES</td> <td>± .005</td> <td>± .0005</td> </tr> <tr> <td>2 PLACES</td> <td>± 0.13</td> <td>± .005</td> </tr> <tr> <td>1 PLACE</td> <td>± 0.25</td> <td>± .010</td> </tr> </tbody> </table>		mm	INCH	4 PLACES	± .005	± .0005	3 PLACES	± .005	± .0005	2 PLACES	± 0.13	± .005	1 PLACE	± 0.25	± .010	DIMENSION STYLE <b>MM/IN</b>	SCALE <b>8:1</b>	DESIGN UNITS <b>METRIC</b>	THIRD ANGLE PROJECTION
		mm	INCH																		
	4 PLACES	± .005	± .0005																		
	3 PLACES	± .005	± .0005																		
2 PLACES	± 0.13	± .005																			
1 PLACE	± 0.25	± .010																			
DRAWN BY HAVERY DATE 00/04/06	CHECKED BY KSWEENEY DATE 00/04/06	APPROVED BY MBANAKIS DATE 00/04/06	TITLE <b>SALES ASSEMBLY Z AXIS PLUGGABLE PCB CONNECTOR</b>																		
MATERIAL NO. <b>SEE TABLE</b>			DOCUMENT NO. <b>SD-74441-001</b>		SHEET NO. <b>3 OF 7</b>																
DRAFT WHERE APPLICABLE MUST REMAIN WITHIN DIMENSIONS																					

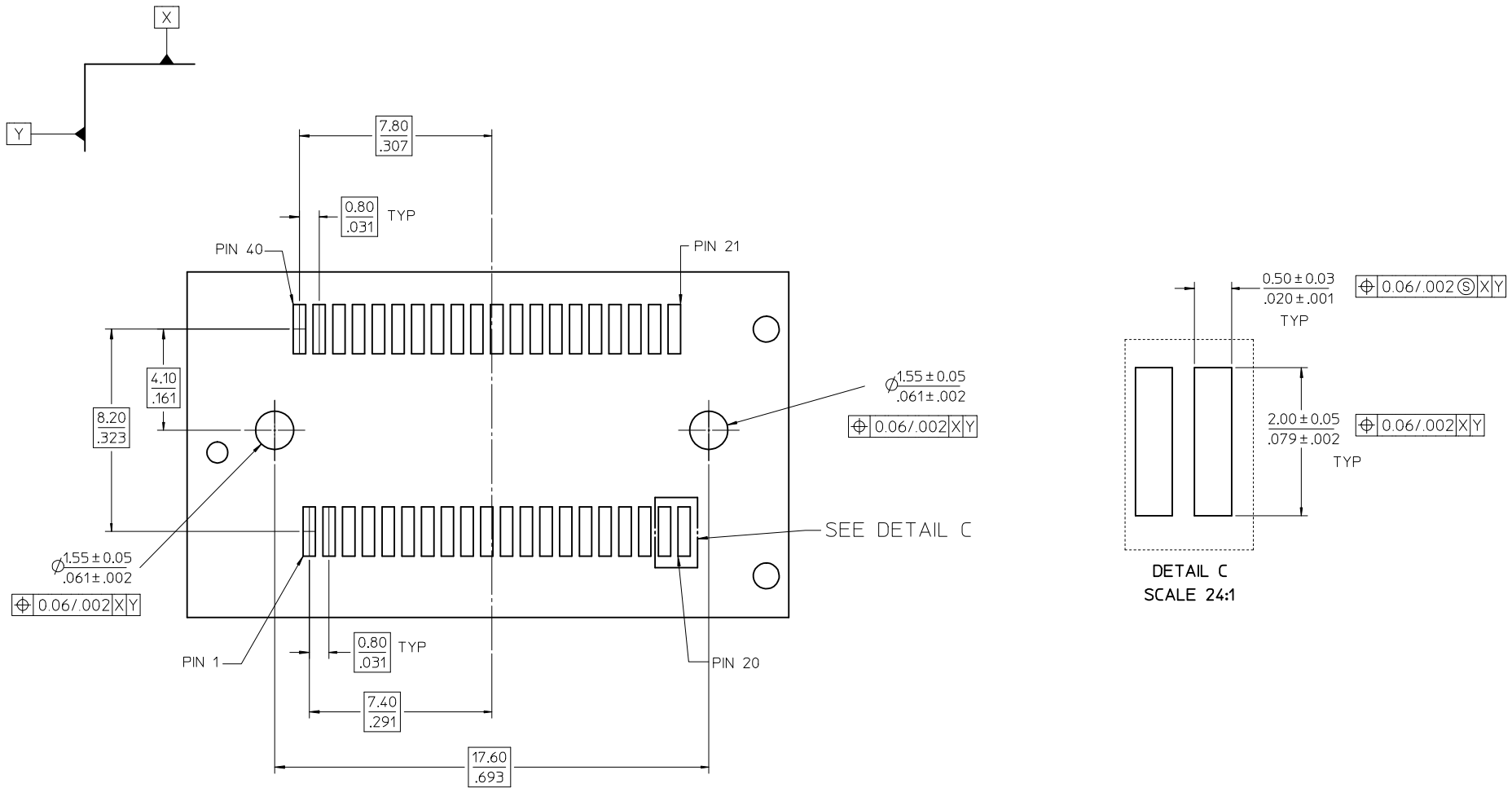


DETAIL B  
SCALE 24:1

30 CIRCUIT MOTHER BOARD  
RECOMMENDED PCB LAYOUT

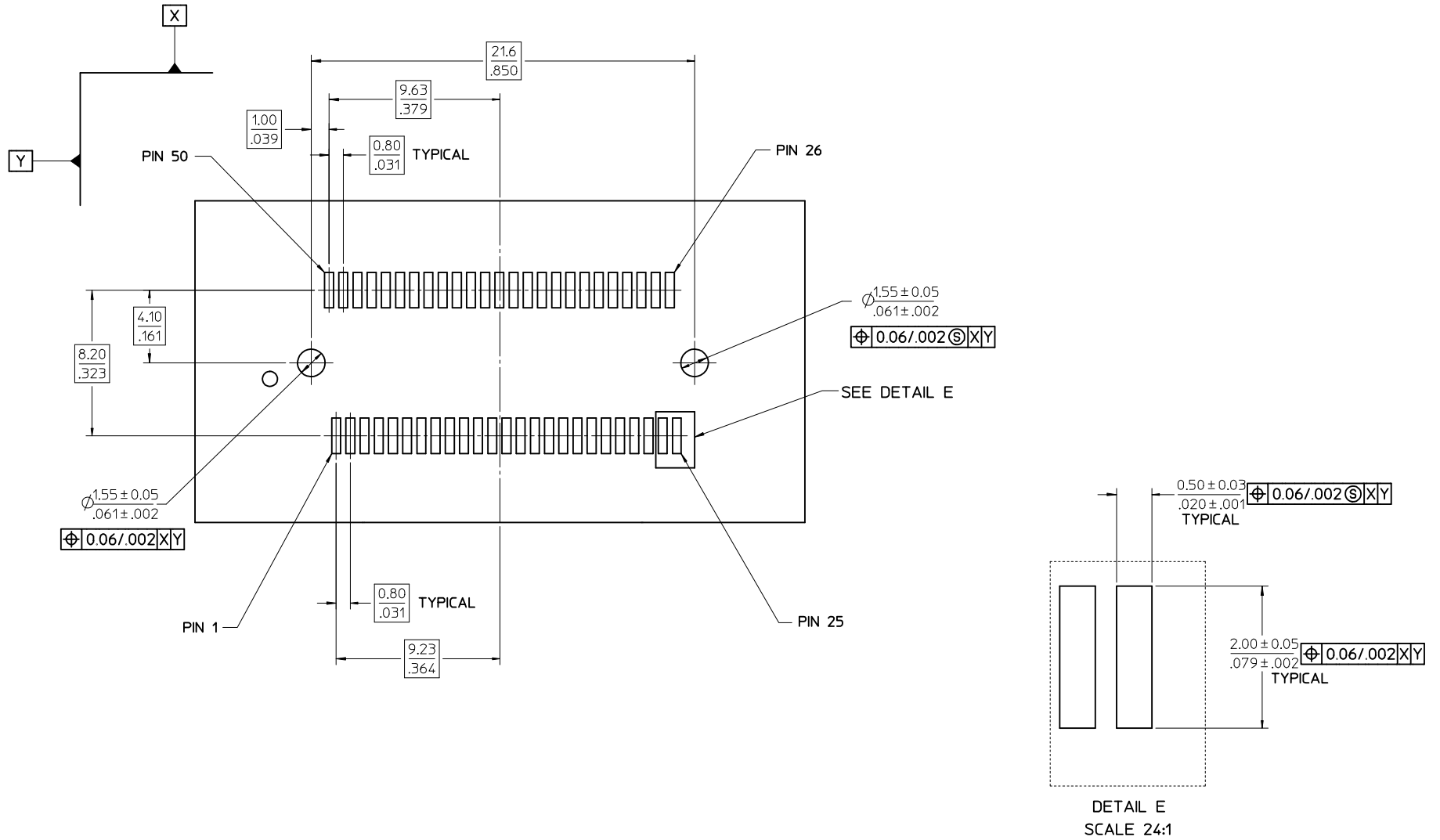
<b>SEE SHEET 1</b> EC NO: UCP2009-1455 DRWN:MS BARRA 2009/01/15 CHKD:BSMART 2009/01/15 APPR:SMILLER 2009/01/16	QUALITY SYMBOLS ▽=0 ▽=0	GENERAL TOLERANCES (UNLESS SPECIFIED)		DIMENSION STYLE <b>MM/IN</b>	SCALE <b>6:1</b>	DESIGN UNITS <b>METRIC</b>	THIRD ANGLE PROJECTION															
		<table border="1"> <tr> <th></th> <th>mm</th> <th>INCH</th> </tr> <tr> <td>4 PLACES</td> <td>± ---</td> <td>± ---</td> </tr> <tr> <td>3 PLACES</td> <td>± ---</td> <td>± ---</td> </tr> <tr> <td>2 PLACES</td> <td>± 0.13</td> <td>± .005</td> </tr> <tr> <td>1 PLACE</td> <td>± 0.25</td> <td>± .010</td> </tr> </table>		mm	INCH	4 PLACES	± ---	± ---	3 PLACES	± ---	± ---	2 PLACES	± 0.13	± .005	1 PLACE	± 0.25	± .010	DRAWN BY HAVERY	DATE 00/04/06	TITLE <b>SALES ASSEMBLY Z AXIS PLUGGABLE PCB CONNECTOR</b>		
		mm	INCH																			
	4 PLACES	± ---	± ---																			
3 PLACES	± ---	± ---																				
2 PLACES	± 0.13	± .005																				
1 PLACE	± 0.25	± .010																				
	ANGULAR ±1/2°	CHECKED BY KSWEENEY	DATE 00/04/06	MOLEX INCORPORATED																		
	DRAFT WHERE APPLICABLE MUST REMAIN WITHIN DIMENSIONS	APPROVED BY MBANAKIS	DATE 00/04/06	MATERIAL NO. <b>SEE TABLE</b>	DOCUMENT NO. <b>SD-74441-001</b>	SHEET NO. <b>4 OF 7</b>																

THIS DRAWING CONTAINS INFORMATION THAT IS PROPRIETARY TO MOLEX INCORPORATED AND SHOULD NOT BE USED WITHOUT WRITTEN PERMISSION



40 CIRCUIT MOTHER BOARD  
RECOMMENDED PCB LAYOUT

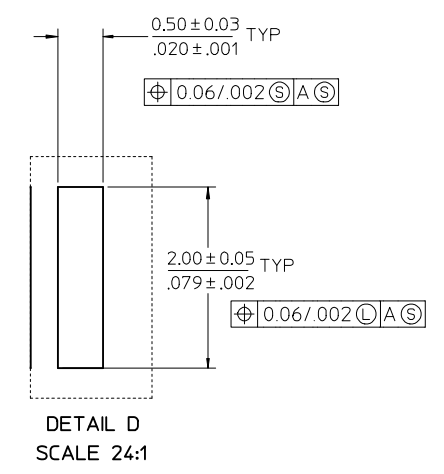
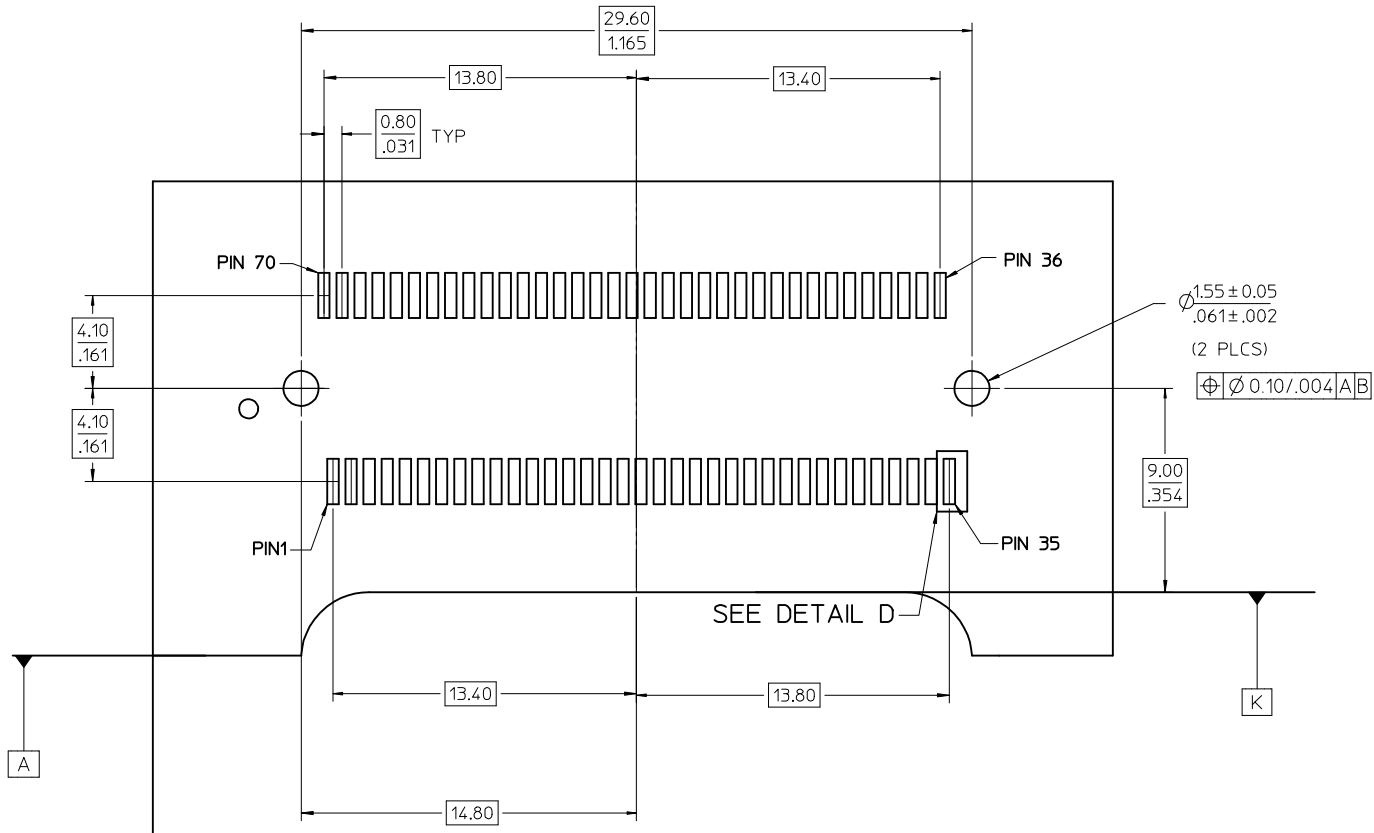
<b>SEE SHEET 1</b> EC NO: UCP2009-1455 DRWN:MSI BARRA 2009/01/15 CHKD:BSMART 2009/01/15 APPR:SMILLER 2009/01/16	QUALITY SYMBOLS ▽=0 ▽=0	GENERAL TOLERANCES (UNLESS SPECIFIED) <table border="1"> <thead> <tr> <th></th> <th>mm</th> <th>INCH</th> </tr> </thead> <tbody> <tr> <td>4 PLACES</td> <td>± .13</td> <td>± .005</td> </tr> <tr> <td>3 PLACES</td> <td>± .13</td> <td>± .005</td> </tr> <tr> <td>2 PLACES</td> <td>± 0.13</td> <td>± .005</td> </tr> <tr> <td>1 PLACE</td> <td>± 0.25</td> <td>± .010</td> </tr> </tbody> </table>		mm	INCH	4 PLACES	± .13	± .005	3 PLACES	± .13	± .005	2 PLACES	± 0.13	± .005	1 PLACE	± 0.25	± .010	DIMENSION STYLE <b>MM/IN</b> DRAWN BY: HAVERY DATE: 00/04/06 CHECKED BY: KSWENEY DATE: 00/04/06 APPROVED BY: MBANAKIS DATE: 00/04/06	SCALE <b>6:1</b> DESIGN UNITS <b>METRIC</b> THIRD ANGLE PROJECTION	TITLE <b>SALES ASSEMBLY Z AXIS PLUGGABLE PCB CONNECTOR</b> <b>MOLEX INCORPORATED</b> DOCUMENT NO. SD-74441-001	SHEET NO. <b>5 OF 7</b>
		mm	INCH																		
	4 PLACES	± .13	± .005																		
	3 PLACES	± .13	± .005																		
2 PLACES	± 0.13	± .005																			
1 PLACE	± 0.25	± .010																			
DRAFT WHERE APPLICABLE MUST REMAIN WITHIN DIMENSIONS	MATERIAL NO. <b>SEE TABLE</b>	MOLEX INCORPORATED		SHEET NO. <b>5 OF 7</b>																	
SIZE <b>C</b>	THIS DRAWING CONTAINS INFORMATION THAT IS PROPRIETARY TO MOLEX INCORPORATED AND SHOULD NOT BE USED WITHOUT WRITTEN PERMISSION																				



50 CIRCUIT MOTHER BOARD  
RECOMMENDED PCB LAYOUT

SEE SHEET 1 EC NO: UCP2009-1455 DRAWN BY: IBARRA 2009/01/15 CHKD: BSMART 2009/01/15 APPR: MILLER 2009/01/16	QUALITY SYMBOLS ▽=0 ▽=0	GENERAL TOLERANCES (UNLESS SPECIFIED) <table border="1"> <tr> <th></th> <th>mm</th> <th>INCH</th> </tr> <tr> <td>4 PLACES</td> <td>± .05</td> <td>± .002</td> </tr> <tr> <td>3 PLACES</td> <td>± .03</td> <td>± .001</td> </tr> <tr> <td>2 PLACES</td> <td>± 0.13</td> <td>± .005</td> </tr> <tr> <td>1 PLACE</td> <td>± 0.25</td> <td>± .010</td> </tr> </table> ANGULAR ±1/2°		mm	INCH	4 PLACES	± .05	± .002	3 PLACES	± .03	± .001	2 PLACES	± 0.13	± .005	1 PLACE	± 0.25	± .010	DIMENSION STYLE MM/IN DRAWN BY: HAVERY DATE: 00/04/06 CHECKED BY: KSWEENEY DATE: 00/04/06 APPROVED BY: MBANAKIS DATE: 00/04/06	SCALE 6:1	DESIGN UNITS METRIC	THIRD ANGLE PROJECTION
		mm	INCH																		
	4 PLACES	± .05	± .002																		
	3 PLACES	± .03	± .001																		
2 PLACES	± 0.13	± .005																			
1 PLACE	± 0.25	± .010																			
DRAFT WHERE APPLICABLE MUST REMAIN WITHIN DIMENSIONS	MATERIAL NO. SEE TABLE	TITLE SALES ASSEMBLY Z AXIS PLUGGABLE PCB CONNECTOR	MOLEX INCORPORATED	DOCUMENT NO. SD-74441-001	SHEET NO. 6 OF 7																
THIS DRAWING CONTAINS INFORMATION THAT IS PROPRIETARY TO MOLEX INCORPORATED AND SHOULD NOT BE USED WITHOUT WRITTEN PERMISSION	SIZE C																				





70 CIRCUIT MOTHER BOARD  
RECOMMENDED PCB LAYOUT

SEE SHEET 1 EC NO: UCP2009-1455 DRAWN BY: BARRA 2009/01/15 CHKD BY: SMART 2009/01/15 APPR: MILLER 2009/01/16	DESCRIPTION REVISIONS 0=0 0=0	GENERAL TOLERANCES (UNLESS SPECIFIED)		DIMENSION STYLE MM/IN		SCALE 6:1	DESIGN UNITS METRIC	THIRD ANGLE PROJECTION			
		4 PLACES ± --- ± ---	3 PLACES ± --- ± ---	2 PLACES ± 0.13 ± .005	1 PLACE ± 0.25 ± .010	DRAWN BY HAVERY	DATE 00/04/06	TITLE SALES ASSEMBLY Z AXIS PLUGGABLE PCB CONNECTOR			
		ANGULAR ±1/2°				CHECKED BY KSWEENEY	DATE 00/04/06	MOLEX INCORPORATED			
		DRAFT WHERE APPLICABLE MUST REMAIN WITHIN DIMENSIONS				APPROVED BY MBANAKIS	DATE 00/04/06	MATERIAL NO. SEE TABLE	DOCUMENT NO. SD-74441-001	SHEET NO. 7 OF 7	