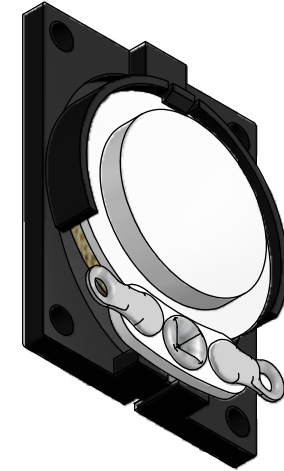
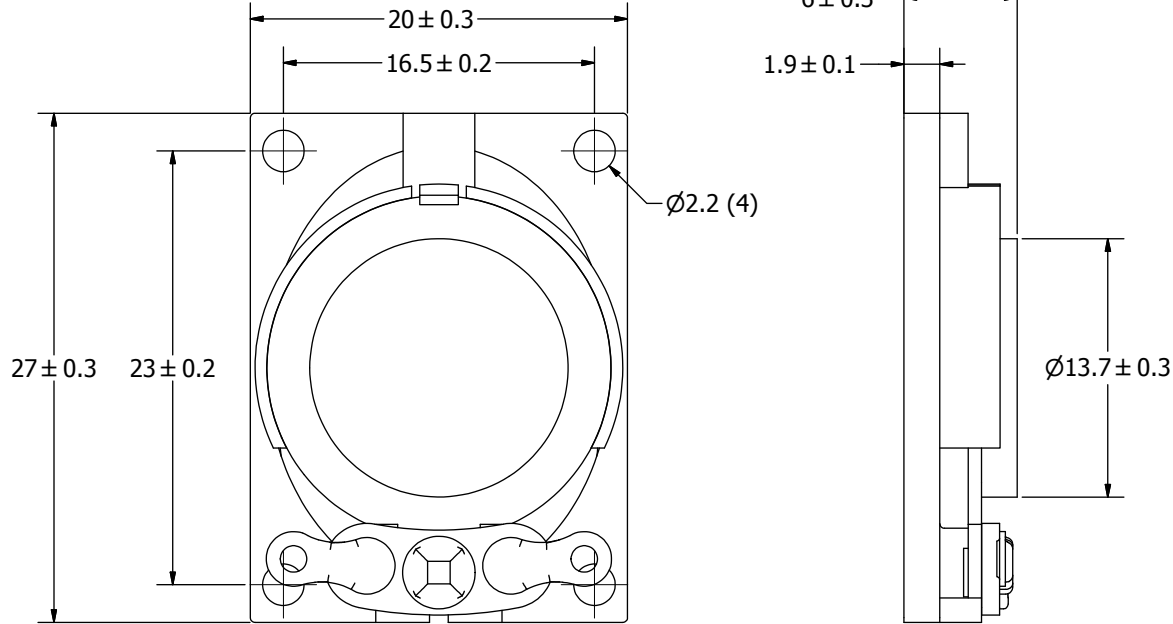


SPECIFICATIONS		
PARAMETERS	VALUES	UNITS
RATED INPUT POWER	1	W
MAX INPUT POWER	3	W
IMPEDANCE	8 ± 15%	OHM
OUTPUT SPL @ 1W/0.5M (AT 0.8, 1.0, 1.2, 1.5 Hz)	80 ± 3	dBA
DISTORTION (MAX.)	5%	-
RESONANT FREQUENCY	650 ± 20%	Hz
FREQUENCY RANGE	250 ~ 20,000	Hz
HOUSING MATERIAL	ABS	-
CONE MATERIAL	CLOTH	-
MAGNET MATERIAL	Nd-Fe-B	-
OPERATING TEMPERATURE	-20 ~ +60	°C
WEIGHT	4.5	grams


THIS DOCUMENT CONTAINS DATA PROPRIETARY TO PROJECTS UNLIMITED, INC. ANY USE OR REPRODUCTION, IN ANY FORM, WITHOUT PRIOR WRITTEN PERMISSION OF PROJECTS UNLIMITED, INC. IS PROHIBITED.  
©2003, Projects Unlimited Inc.

REVISION HISTORY			
LTR	DESCRIPTION	DATE	APPROVED
-	RELEASED FROM ENGINEERING	5/17/2006	
A	REVISED WIDTH DIMENSION	10/17/07	
B	REVISED HEIGHT DIMENSION & RESONANT FREQUENCY	8/28/2008	C.W.
C	REVISED TO INVENTOR 3-D DRAWING TEMPLATE	10/07/2008	B.R.



**NOTES:**

1. ALL DIMENSIONS ARE IN MILLIMETERS.
2. SPECIFICATIONS SUBJECT TO CHANGE OR WITHDRAWAL WITHOUT NOTICE.
3. THIS PART IS RoHS 2002/95/EC COMPLIANT.

UNLESS OTHERWISE SPECIFIED: DIMENSIONS ARE IN MILLIMETERS, TOLERANCES ARE ±0.5 AND ANGLES ARE ±3°.	SIZE	Designed by	Date	Checked by	Date	Approved by	Date	Drawn Date
	A3	J.D.	5/17/2006	R.W.	5/17/2006	B.R.	5/17/2006	10/7/2008
		AS02708CO-R						AS02708CO-R
AS02708CO-R.idw	 A Division of Projects Unlimited		Speaker			Edition	Sheet	
						-	1 / 1	