

PLEASE CHECK WWW.MOLEX.COM FOR LATEST PART INFORMATION

Part Number: [0986151002](#)
Status: **Active**
Overview: [mox crimp terminals](#)
Description: 2.54mm (.100") Pitch MOX Female Housing, 64 Circuits, Dual Row, for Wire Crimp Terminals, Gray

Documents:

[Drawing \(PDF\)](#) [RoHS Certificate of Compliance \(PDF\)](#)
[Product Specification PS-98615-001 \(PDF\)](#)

General

Product Family	Crimp Housings
Series	98615
Overview	mox crimp terminals
Product Name	MOX

Physical

Circuits (maximum)	64
Color - Resin	Gray, Natural
Gender	Female
Glow-Wire Compliant	No
Keying to Mating Part	None
Lock to Mating Part	Yes
Material - Resin	Nylon, Polyester, Polyester Alloy
Number of Rows	2
Packaging Type	Tray
Panel Mount	No
Pitch - Mating Interface (in)	0.100 In
Pitch - Mating Interface (mm)	2.54 mm
Pitch - Term. Interface (in)	0.100 In
Pitch - Term. Interface (mm)	2.54 mm
Polarized to Mating Part	Yes
Stackable	No
Temperature Range - Operating	-40°C to +85°C

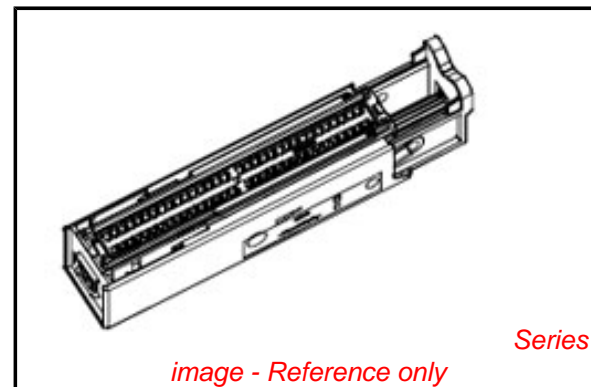
Electrical

Current - Maximum per Contact 6A

Material Info

Reference - Drawing Numbers

Application Specification	AS-98615-001
Packaging Specification	PP-98615-001
Product Specification	PS-98615-001, RPS-98615-001
Sales Drawing	SD-98615-004



EU RoHS

ELV and RoHS Compliant
REACH SVHC
 Not Reviewed
Halogen-Free
Status
Not Reviewed

China RoHS



Need more information on product environmental compliance?

Email productcompliance@molex.com
 For a multiple part number RoHS Certificate of Compliance, [click here](#)

Please visit the [Contact Us](#) section for any non-product compliance questions.

Search Parts in this Series

[98615Series](#)

Mates With

[98580](#) Wire Cap, [98599](#) Header

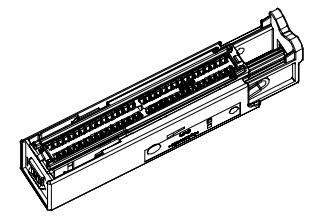
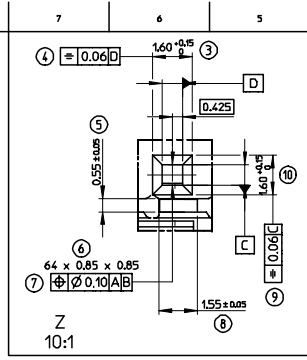
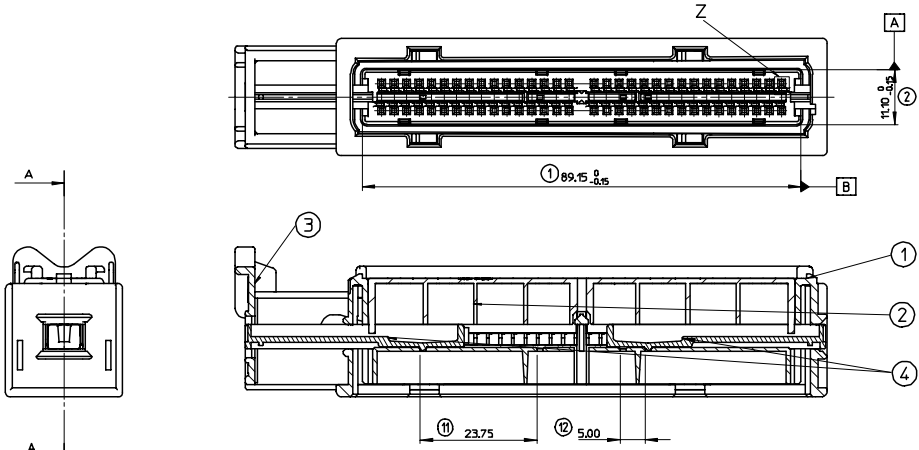
Use With

[98658](#) MOX Crimp Terminal

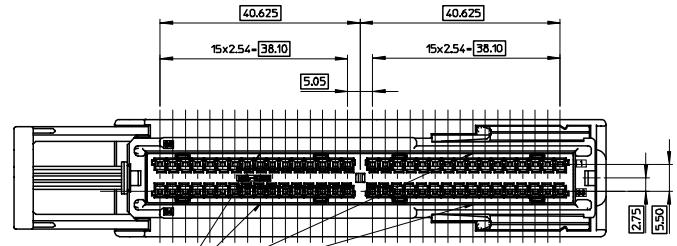
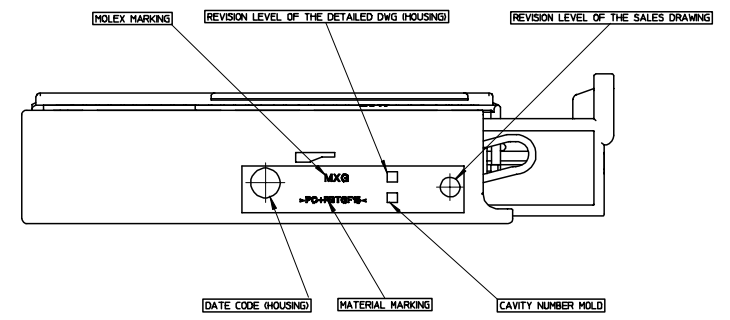
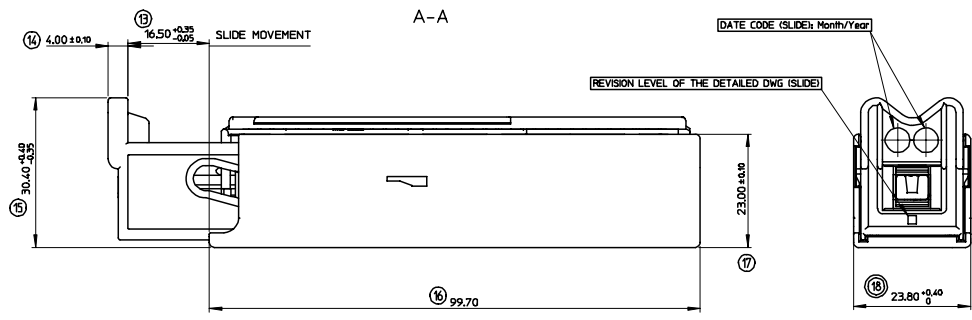
20 19 18 17 16 15 14 13 12 11 10 9 8 7 6 5 4 3 2 1

H
L
K
J
I
H
G
F
E
D
C
B
A

H
L
K
J
I
H
G
F
E
D
C
B
A



VIEW SCALE 1 : 1



ON FLEX VERSION, BONDED EXTERNAL FACES OF MODULE ARE ALLOWED.

	MOLEX PART NUMBER	PART WEIGHT
WIRE VERSION	0986151002	36.810 g
FLEX VERSION	0986151001	36.350 g

THE SHOWN VERSION IS THE WIRE ONE.

POS.	Qty	MOLEX PART NUMBER	DESIGNATION	MATERIAL	COLOR
4	2	0986180001	Max TPA PBT Grn 64Ckt	>PBT-GF30<	GREEN
3	1	0986170001	Max Slide Pos6.6 Gry 64Ckt	>PA6.6-GF30<	GRAY
2	1	0986160002	Max Rcpt Top Hsg Wire PBT Gry 64Ckt	>PBT-GF20<	GRAY
		0986160001	Max Rcpt Top Hsg FFC PBT Blk 64Ckt		BLACK
1	1	0986150001	Max Rcpt Bln Hsg PC/PBT Blk 64Ckt	>PBT-PC-GF15<	BLACK

PARTS LIST

SPECIFICATION FILE	
APPLICATION SPECIFICATION N°:	RAS-98615-001

OPERATING TEMPERATURE
-40°C / +85°C

FORCES	
SLIDE RETENTION IN OPEN POSITION	F > 50 N
CONNECTOR MATING FORCE WITH ACTION ON SLIDE	F < 80 N
CONNECTOR UNMATING FORCE WITH ACTION ON SLIDE (SLIDE LOCKING INACTIVE)	F < 80 N
RETENTION OF SECONDARY LOCKING IN PRE-LOCKED POSITION	F < 40 N

ASSOCIATED PARTS		
DESIGNATION	FLEX	USE WITH:
MOX 0.64 TERMINAL		98194
	WIRES	98658

REV	DESCRIPTION	GENERAL TOLERANCES (UNLESS SPECIFIED)	
		mm	INCH
4	PLACES	± 0.15	± 0.005
3	PLACES	± 0.10	± 0.004
2	PLACES	± 0.10	± 0.004
1	PLACES	± 0.15	± 0.006
	ANGULAR	± 1°	

SCALE	DESIGN UNITS	DIMENSION STYLE	TITLE
2:1	METRIC	MM ONLY	FIRST ANGLE PROJECTION
			REVISE ON CAD ONLY
			FEMALE 64 WAY CONNECTOR SALES DRAWING
DRAWN BY MANDRE		DATE 2001/11/21	molex MOLEX INCORPORATED
CHECKED BY LSTICKEI		DATE 2001/11/21	
APPROVED BY WMORITZ		DATE 2001/11/21	MATERIAL NO.
			DOCUMENT NO.
			SHEET NO.
THIS DRAWING CONTAINS INFORMATION THAT IS PROPRIETARY TO MOLEX INCORPORATED AND SHOULD NOT BE USED WITHOUT WRITTEN PERMISSION			

19 18 17 16 15 14 13 12 11 10 9 8 7 6 5 4 3 2 1