

PLEASE CHECK WWW.MOLEX.COM FOR LATEST PART INFORMATION

Part Number: [0350689822](#)
Status: **Active**
Description: MP-Lock™ Quick Disconnect, Female, for 16-20 AWG (1.31-0.52mm²), Metal Strip, Tab 4.75 by 0.80mm (.187 by .031"), Pre-Tin Plated

Documents:

[Drawing \(PDF\)](#) [RoHS Certificate of Compliance \(PDF\)](#)
[Product Specification PS-35189-001 \(PDF\)](#)

Agency Certification

UL E92853

General

Product Family Quick Disconnects
 Series [35068](#)
 Crimp Quality Equipment Yes
 Product Name MP-Lock™
 Type Quick Disconnect

Physical

Barrel Type Open
 Gender Female
 Glow-Wire Compliant No
 Insulation None
 Lock to Mating Part Yes
 Material - Metal Brass
 Material - Plating Mating Tin
 Material - Plating Termination Tin
 Orientation Straight
 Packaging Type Reel
 Plating min: Mating (µin) 32.00
 Plating min: Mating (µm) 0.800
 Plating min: Termination (µin) 32.00
 Plating min: Termination (µm) 0.80
 Polarized to Mating Part Yes
 Tab Thickness 0.81mm (.032")
 Tab Width 4.75mm (.187")
 Temperature Range - Operating -40°C to +105°C
 Termination Interface: Style Crimp or Compression
 Wire Insulation Diameter 3.40mm (.134") max.
 Wire Size AWG 16, 18, 20
 Wire Size mm² 0.50 - 1.30

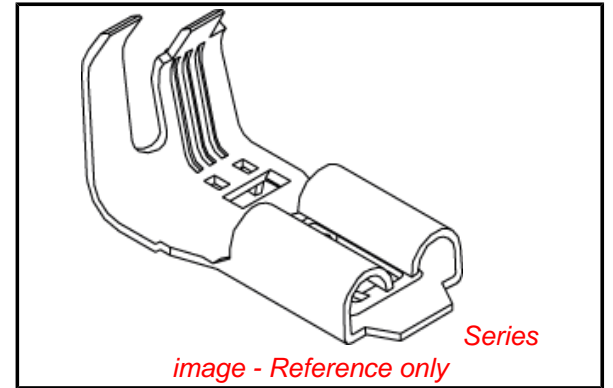
Electrical

Voltage - Maximum 300V

Material Info

Reference - Drawing Numbers

Product Specification PS-35189-001
 Sales Drawing SD-35068-982



EU RoHS

ELV and RoHS Compliant
REACH SVHC Contains SVHC: No
Halogen-Free Status

China RoHS



Need more information on product environmental compliance?

Email productcompliance@molex.com
 For a multiple part number RoHS Certificate of Compliance, [click here](#)

Please visit the [Contact Us](#) section for any non-product compliance questions.

Search Parts in this Series

[35068Series](#)

Use With

[35189](#) , [35817](#) , [35961](#)

Application Tooling | FAQ

Tooling specifications and manuals are found by selecting the products below. Crimp Height Specifications are then contained in the Application Tooling Specification document.

Global

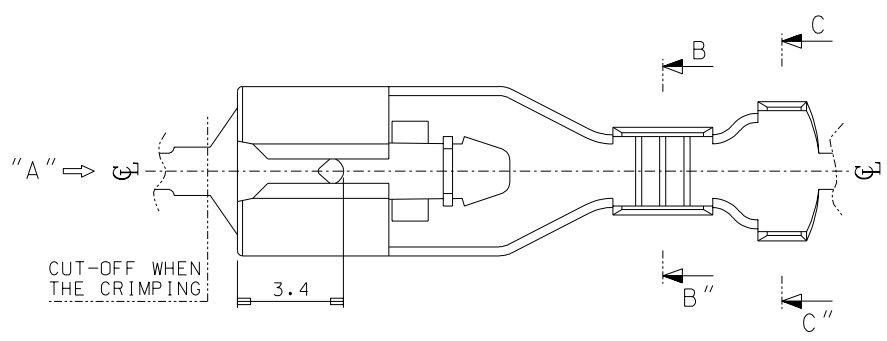
Description	Product #
Mini-Mac™ Applicator	0638014300

DO NOT SCALE DRAWING DIMENSION IN METRIC

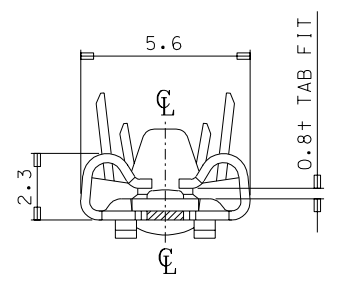
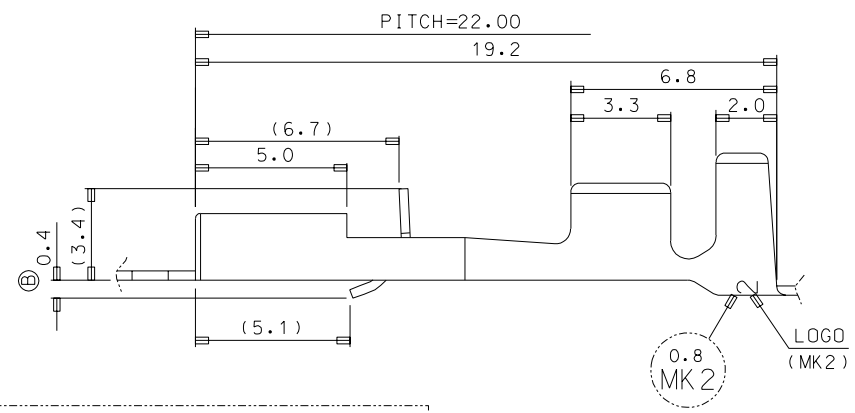
PROJECT NO. .187 P-LOCK CONN'

SIMILAR ITEM

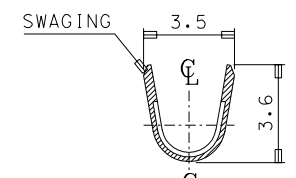
DWG. NO. SD 35068-982



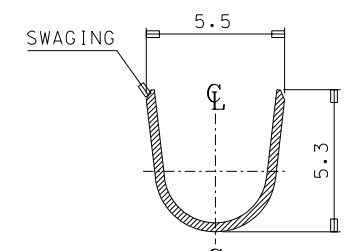
- NOTES
1. MATERIAL : BRASS . 0.30mm THICKNESS
 2. FINISH : PRE-PLATED TIN
 3. MATING TAB THICKNESS : 0.80 mm
 5. RECOMMENDED LENGTH OF WIRE STRIP IS 4.5-5.0mm.
 6. APPLICABLE WIRE : AWG #20-#16
INSULATION DIA. : \varnothing 1.9-3.4mm



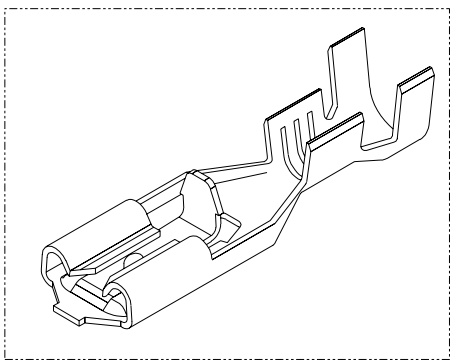
VIEW "A"



SEC' : B-B''



SEC' : C-C''



ISOMETRIC VIEW

REVISED EC NO. KDR2003-0022 DRWN: C.-B. CHIN 02/07/18 CHK: W. Y. YANG APPR: C. W. LEE	MAJOR △=0 CRITICAL ▽=0	QUALITY SYMBOLS		GENERAL TOLERANCES: (UNLESS SPECIFIED)	SCALE 6/1	DESIGN UNITS <input checked="" type="checkbox"/> mm <input type="checkbox"/> INCH	THIRD ANGLE PROJECTION	DIMENSIONS: <input type="checkbox"/> mm <input type="checkbox"/> INCH <input checked="" type="checkbox"/> mm ONLY	SHT	REV
		4 PLACES	±0.	±.	DRAWN BY & DATE J. S. KANG 97/12/01	TITLE: .187 MP-LOCK TM'L(M) (0.8+ TAB FIT)				
B1	REV	DESCRIPTION	3 PLACES	±0.	±.	CHECKED BY & DATE B. K. CHOI 97/12/01	MOLEX MOLEX INCORPORATED	MATERIAL NO. 350689822	DRAWING NO. SD-35068-982	SHEET NO. 1 of 1
			2 PLACES	±0.2	±.	APPROVED BY & DATE W. Y. YANG 97/12/01				
			1 PLACE	±0.3	±.	ANGULAR: ± 1°				
DRAFT WHERE APPLICABLE MUST REMAIN WITHIN DIMENSIONS							THIS DRAWING CONTAINS INFORMATION THAT IS PROPRIETARY TO MOLEX INCORPORATED AND SHOULD NOT BE USED WITHOUT WRITTEN PERMISSION.			
										SIZE B