

PLEASE CHECK WWW.MOLEX.COM FOR LATEST PART INFORMATION

Part Number: [0850159005](#)
Status: **Active**
Overview: [din_41612](#)
Description: 2.54mm (.100") Pitch DIN 41612 Header, 4-Row Through Hole, Press-fit, Vertical, Style R, 0.6µm (24µ") Selective Gold (Au), 128 Circuits, Lead Free

Documents:

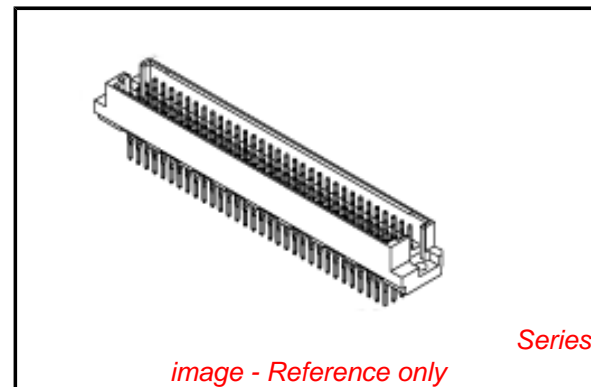
[Drawing \(PDF\)](#) [RoHS Certificate of Compliance \(PDF\)](#)
[Product Specification PS-85013-0002 \(PDF\)](#)

General

Product Family	Backplane Connectors
Series	85015
Application	Backplane
Comments	"R" at Style Represents Vertical Male DIN Connectors
Component Type	PCB Header
Overview	din_41612
Product Name	IEC 603-2/DIN 41612
Style	R

Physical

Circuits (Loaded)	128
Circuits (maximum)	128
Circuits Detail	Standard Contacts at A:a3-a32, b3-b32, c3-c32, d3-d32 . First-Mate- Last-Break Contacts at Z: a1-a2, b1-b2, c1-c2, d1-d2
Color - Resin	Gray
Durability (mating cycles max)	400
First Mate / Last Break	Yes
Guide to Mating Part	No
Keying to Mating Part	Yes
Material - Metal	Phosphor Bronze
Material - Plating Mating	Gold
Material - Plating Termination	Tin
Material - Resin	Polyester
Number of Columns	32
Number of Pairs	Open Pin Field
Number of Rows	4
Orientation	Vertical
PC Tail Length (in)	0.228 In
PC Tail Length (mm)	5.80 mm
PCB Locator	No
PCB Retention	Yes
PCB Thickness Recommended (in)	0.063 In, 0.157 In
PCB Thickness Recommended (mm)	1.60 mm, 4.00 mm
Packaging Type	Carton
Pitch - Mating Interface (in)	0.100 In
Pitch - Mating Interface (mm)	2.54 mm
Pitch - Term. Interface (in)	0.100 In
Pitch - Term. Interface (mm)	2.54 mm
Plating min: Mating (µin)	24
Plating min: Mating (µm)	0.6
Plating min: Termination (µin)	16
Plating min: Termination (µm)	0.4
Polarized to PCB	Yes
Stackable	No



EU RoHS

**ELV and RoHS
Compliant**
REACH SVHC
 Not Reviewed
**Halogen-Free
Status**
Not Reviewed

China RoHS



**Need more information on product
environmental compliance?**

Email productcompliance@molex.com
 For a multiple part number RoHS Certificate of Compliance, [click here](#)

Please visit the [Contact Us](#) section for any non-product compliance questions.

Search Parts in this Series

[85015Series](#)

Mates With

[85042](#) DIN 41612 Receptacle . [85052](#) DIN 41612 Header

Use With

[85089-1081](#) Press-in Tool

Surface Mount Compatible (SMC)	No
Temperature Range - Operating	-55°C to +125°C
Termination Interface: Style	Through Hole - Compliant Pin

Electrical

Current - Maximum per Contact	1A
Data Rate	622.0 Mbps
Real Signals (per 25mm)	39
Shielded	No
Voltage - Maximum	250V AC (RMS)

Material Info

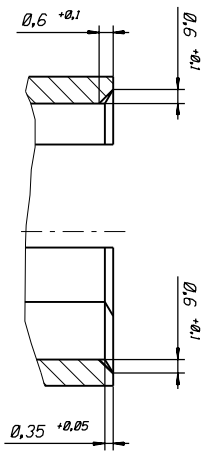
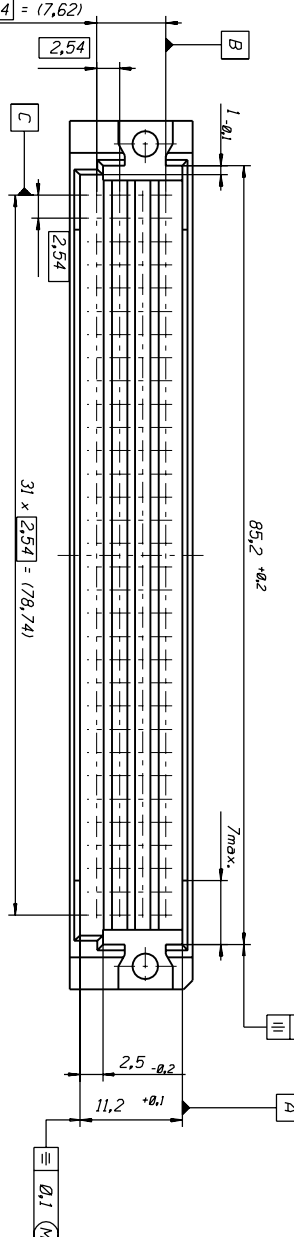
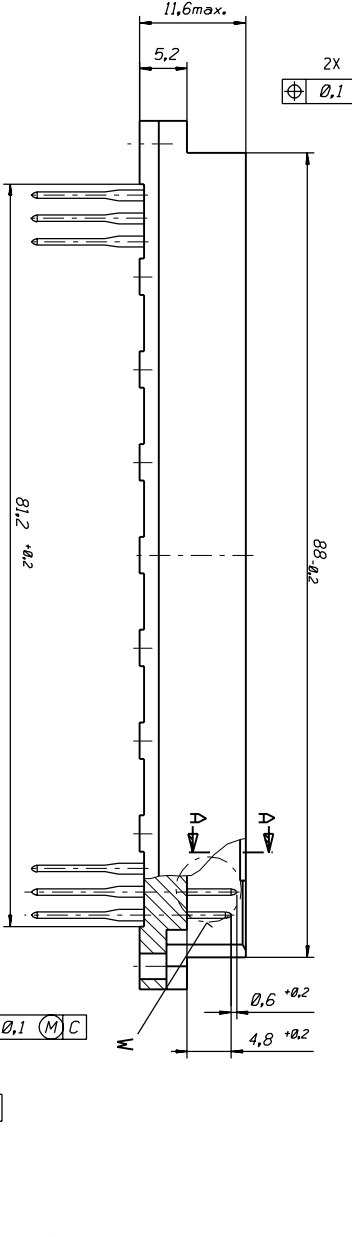
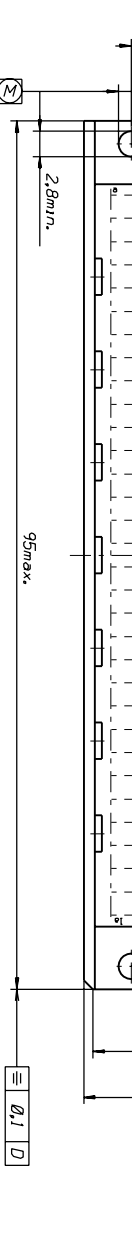
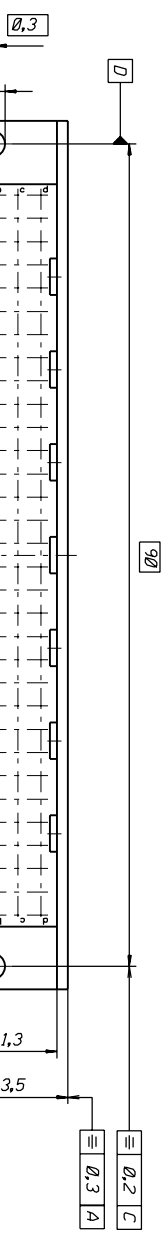
Reference - Drawing Numbers

Packaging Specification	PK-85015-001
Product Specification	PS-85013-0002
Sales Drawing	SD-85015-9005, SDA-85015-0001

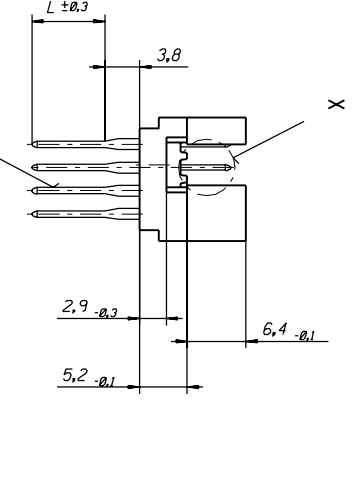
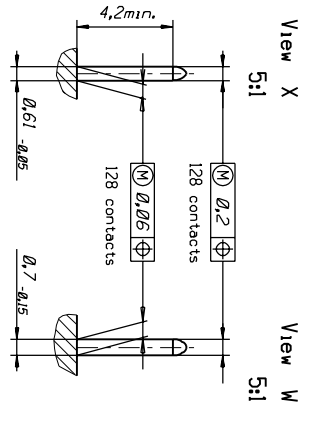
This document was generated on 05/17/2010

PLEASE CHECK WWW.MOLEX.COM FOR LATEST PART INFORMATION

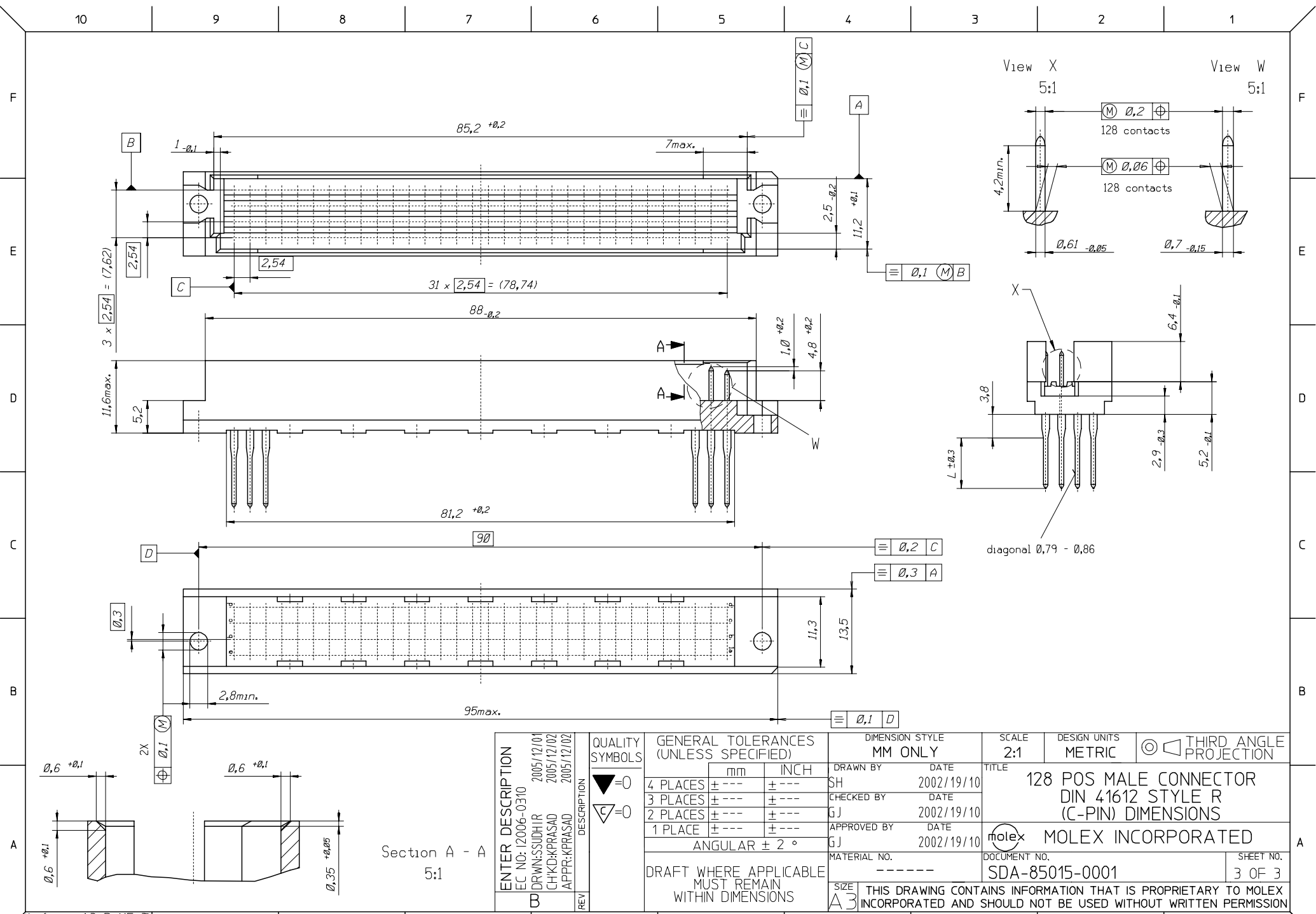
PART NO.
DWG. NO.



Section A - A
5:1



first release ECN No. MC1998-2790		REVISIONS		FIRST ANGLE PROJECTION		REVISE ONLY ON CAD SYSTEM		SH. REV.	
A		LTR		FOR PREVIOUS REVISIONS SEE MRI LIST		UNLESS OTHERWISE SPECIFIED TOLERANCES ANGULAR ±2°		THIS DRAWING CONTAINS INFORMATION THAT IS PROPRIETARY TO MOLEX INC. & SHOULD NOT BE USED WITHOUT WRITTEN PERMISSION	
3 PLACE ± .		INCH		METHRIC		DRAWN BY		SIGN	
2 PLACE ± .		INCH		METHRIC		CHK'D BY		SIGN	
1 PLACE ± .		INCH		METHRIC		APP'D BY		SIGN	
DESTIN. DIMENSION		IN		MM		SCALE		TITLE	
EQUIVALENT DIMENSION		IN		MM		2:1		128 pos. Male connector DIN 41612 style R (C-Pin) Dimensions	
PART NO.		MOLEX EUROPE		SHEET NO. DATE		1 OF 98/04/27		PART NO.	
SDA-85015-0001		1 OF 98/04/27		1 OF 98/04/27		1 OF 98/04/27		SDA-85015-0001	
B		B		B		B		B	



REV	DESCRIPTION
B	ENTER DESCRIPTION
A	EC NO: I2006-0310
	DRWN:SSUDHIR 2005/12/01
	CHKD:KPRASAD 2005/12/02
	APPR:KPRASAD 2005/12/02

QUALITY SYMBOLS	DESCRIPTION
▽=0	
△=0	

GENERAL TOLERANCES (UNLESS SPECIFIED)	
mm	INCH
4 PLACES ± ---	± ---
3 PLACES ± ---	± ---
2 PLACES ± ---	± ---
1 PLACE ± ---	± ---
ANGULAR ± 2 °	

DIMENSION STYLE		SCALE	DESIGN UNITS	THIRD ANGLE PROJECTION
MM ONLY		2:1	METRIC	☉
DRAWN BY	DATE	TITLE		
SH	2002/19/10	128 POS MALE CONNECTOR		
CHECKED BY	DATE	DIN 41612 STYLE R		
GJ	2002/19/10	(C-PIN) DIMENSIONS		
APPROVED BY	DATE	MOLEX INCORPORATED		
GJ	2002/19/10	MOLEX INCORPORATED		
MATERIAL NO.	DOCUMENT NO.	SHEET NO.		
-----	SDA-85015-0001	3 OF 3		