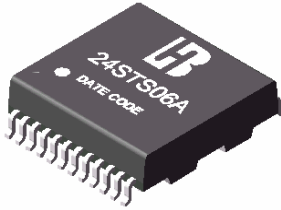


10/100BASE-TX VOICE OVER IP MAGNETICS MODULES

P/N: 24STS06A DATA SHEET

Feature

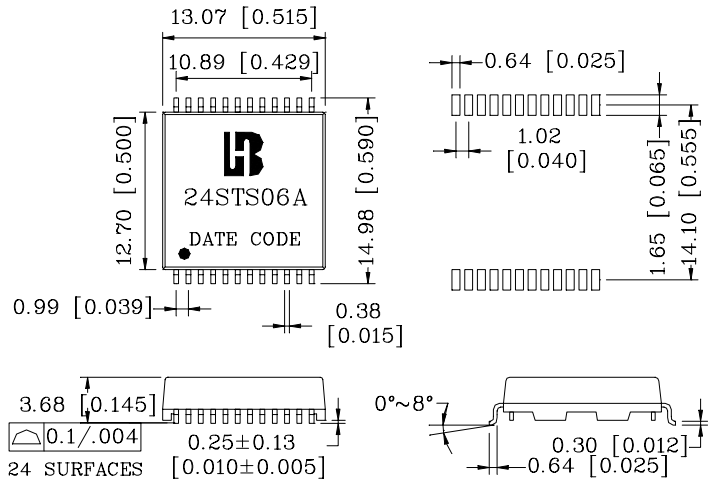


- IEEE 802.3af/ANSI X3.263 compliant performance.
- 350mA current capability.
- Designed for IP phone or switch applications.
- Compact footprint.
- Operating temperature range : 0°C to +70°C.
- Storage temperature range: -25°C to +125°C.

Electrical Specifications @ 25°C									
Part Number	Turns Ratio (±5%)		OCL (uH Min)	L.L (uH Max)	C _{w/w} (pF Max)	HI-POT (Vrms)			
	TX	RX							
24STS06A	1CT: 1CT	1CT: 1CT	350	0.5	25	1500			
Continue									
Part Number	Insertion Loss (dB Max)	Return Loss (dB Min)				Cross talk Attenuation (dB Min)		DCMR (dB Min) TX/RX	
		1-100MHz	1-30MHz	40MHz	50 MHz	60-80MHz	0.3-60MHz	60-80MHz	0.3-60MHz
24STS06A	-1.2	-20	-14	-13	-12	-40	-30	-30	-30

Schematic

Mechanical



Units: mm[Inches] Tolerance: xx.x0±0.25[0.010]
0.xx±0.05[0.002]