

PLEASE CHECK WWW.MOLEX.COM FOR LATEST PART INFORMATION

Part Number: [0673514817](#)

Status: **Active**

Description: MicroCross™ DVI-D Digital Visual Interface, PCB Receptacle, Through Hole, Right Angle, Gold (Au) Flash, 3.12mm (.123") PC Tail Length, ScrewHole, 4-40 Thread, Ivory White, 24 Circuits, Lead Free

Documents:

[3D Model](#)

[Drawing \(PDF\)](#)

[RoHS Certificate of Compliance \(PDF\)](#)

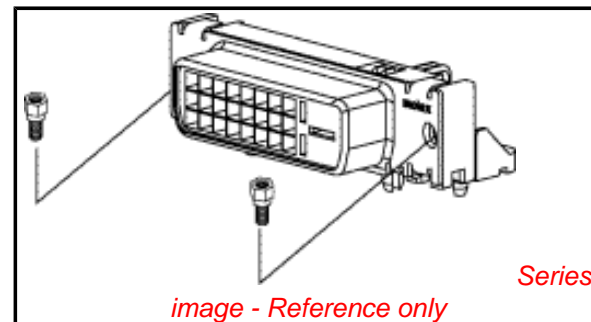


image - Reference only

General

Product Family	I/O Connectors
Series	67351
Application	Wire-to-Board
Comments	DDWG (Digital Display Working Group) Standard
Component Type	Receptacle
Product Name	MicroCross™DVI
Type	N/A

Physical

Boot Color	N/A
Circuits (Loaded)	24
Circuits (maximum)	24
Color - Resin	Ivory, Natural
Durability (mating cycles max)	100
Gender	Receptacle
Keying to Mating Part	Yes
Lock to Mating Part	Yes
Material - Metal	Copper Alloy
Material - Plating Mating	Gold
Material - Plating Termination	Tin
Material - Resin	Polyester
Number of Rows	3
Orientation	Right Angle
PC Tail Length (in)	0.123 In
PC Tail Length (mm)	3.12 mm
PCB Locator	Yes
PCB Retention	Yes
Packaging Type	Tray
Panel Mount	Yes
Pitch - Mating Interface (in)	0.075 In
Pitch - Mating Interface (mm)	1.91 mm
Plating min: Mating (µin)	2
Plating min: Mating (µm)	0.05
Plating min: Termination (µin)	100
Plating min: Termination (µm)	2.50
Polarized to Mating Part	Yes
Polarized to PCB	Yes
Ports	1
Surface Mount Compatible (SMC)	No
Temperature Range - Operating	-20°C to +85°C
Termination Interface: Style	Through Hole
Waterproof / Dustproof	No
Wire Size AWG	N/A

Electrical

EU RoHS

ELV and RoHS Compliant

REACH SVHC

Not Reviewed

Halogen-Free

Status

Not Reviewed

China RoHS



Need more information on product environmental compliance?

Email productcompliance@molex.com
For a multiple part number RoHS Certificate of Compliance, [click here](#)

Please visit the [Contact Us](#) section for any non-product compliance questions.

Search Parts in this Series

[67351Series](#)

Mates With

[74323](#) MicroCross™ DVI Plug Components.
[88741](#) MicroCross™ DVI Cable Assemblies

Use With

[71781](#) , [88780-6066](#) , [82007-0300](#) Mounting Hardware

Current - Maximum per Contact	3A
Grounding to Panel	Yes
Shield Type	Full Shield
Shielded	Yes
Voltage - Maximum	40V AC (RMS)

Material Info

Reference - Drawing Numbers

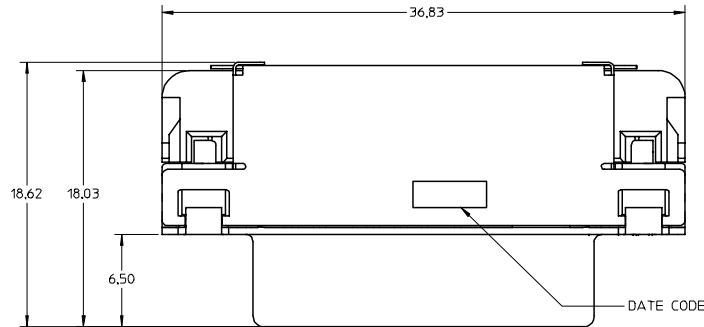
Packaging Specification	PK-74320-010
Sales Drawing	SD-67351-040

This document was generated on 06/07/2010

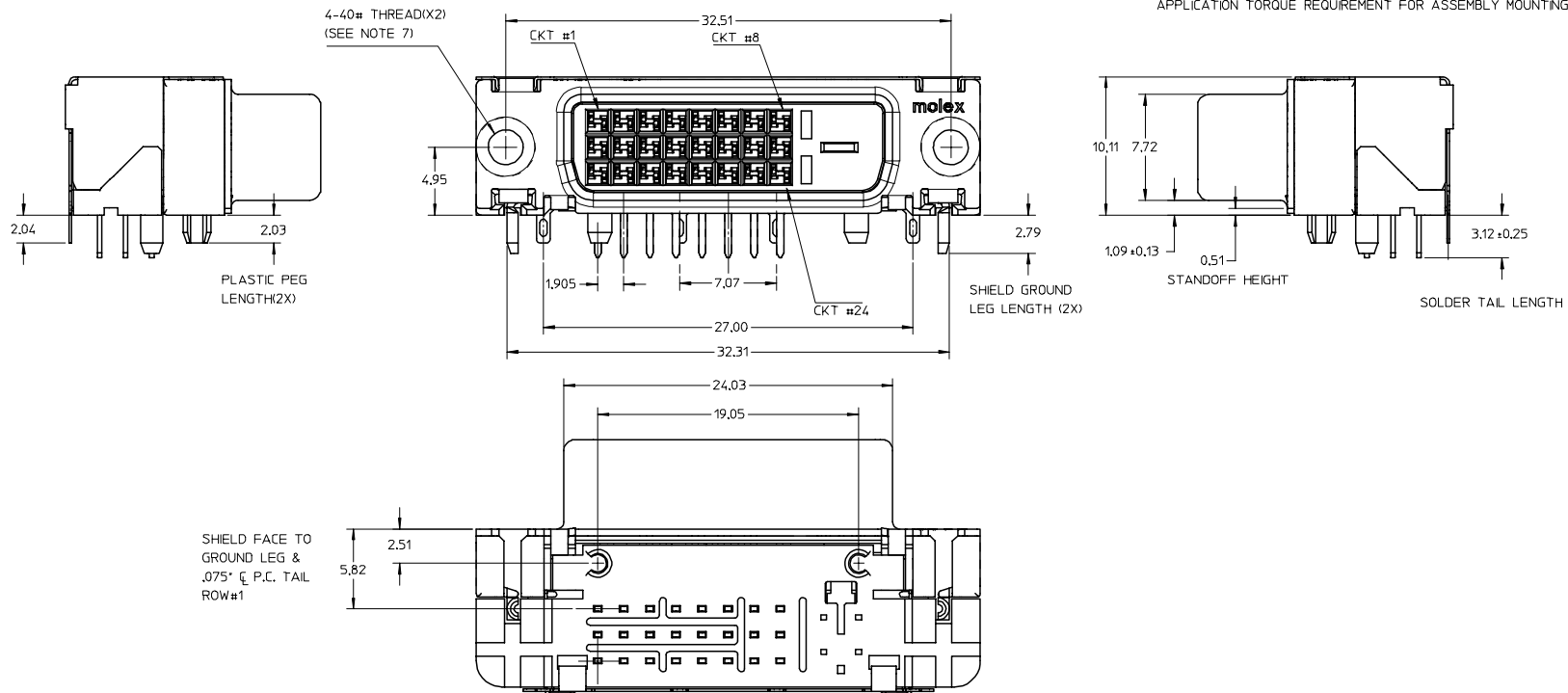
PLEASE CHECK WWW.MOLEX.COM FOR LATEST PART INFORMATION

J
I
H
G
F
E
D
C
B
A

J
I
H
G
F
E
D
C
B
A



1. MATERIALS:
FRONT SHIELD -- DEEP DRAW STEEL
BACK SHIELD -- STAINLESS STEEL
HOUSING -- GLASS FILLED POLYMER,NATURE(IVORY WHITE),UL 94v-0,
TAIL ALIGNER -- GLASS FILLED POLYMER, NATURE(IVORY WHITE),UL 94v-0,
CONTACTS -- COPPER ALLOY
2. PLATING: SEE SHEET 2
3. PRODUCT CONFIRMS TO MOLEX PRODUCT SPECIFICATION NUMBER PS-74320-001, REFER TO THIS SPECIFICATION FOR SPACING ON A P.C.B.OF TWO OR MORE CONNECTORS WITH USING A CABLE OR AN ADAPTER ASSEMBLY.
4. SEE SHEET 2 FOR RECOMMENDED PANEL CUT-OUT AND P,C,B,LAYOUT.
5. PARTS WILL BE PACKAGED IN TRAYS PER PK-74320-010
6. PRODUCT CONFIRMS TO DDWG DVI SPECIFICATION,REFER TO THIS SPECIFICATION FOR CONNECTOR MATING DIMENSIONS.
7. RECOMMENDED MOUNTING HARDWARE IS MOLEX P/N 88780-6066 OR 82007-0300 OR 71781-0001 REFER TO PRODUCT SPECIFICATION NUMBER PS-74320-001 FOR THE APPLICATION TORQUE REQUIREMENT FOR ASSEMBLY MOUNTING HARDWARE.



SHIELD FACE TO GROUND LEG & .075" C P.C. TAIL ROW#1

NEW RELEASE EC NO: SH2005-0035 DRAWN:DXUE 2004/08/19 CHKD: 2004/08/20 APPR: YTYAP 2004/08/20	DESCRIPTION REV	QUALITY SYMBOLS	GENERAL TOLERANCES (UNLESS SPECIFIED)	SCALE 4:1	DESIGN UNITS METRIC	THIRD ANGLE PROJECTION	REVISE ON CAD ONLY	
		▽-0	mm INCH	DIMENSION STYLE MM ONLY		TITLE		
		∇-0	4 PLACES ± --- ± --- 3 PLACES ± --- ± --- 2 PLACES ± 0.25 ± --- 1 PLACE ± 0.25 ± ---	DRAWN BY DXUE	DATE 2004/8/5	DVI-D RIGHT ANGLE RECEPTACLE CONNECTOR WITH EMI SHIELDING		
			ANGULAR ± 3°	CHECKED BY	DATE	moLEX MOLEX INCORPORATED		
A		DRAFT WHERE APPLICABLE	MUST REMAIN WITHIN DIMENSIONS	APPROVED BY	DATE	MATERIAL NO. 673514817	DOCUMENT NO. SD-67351-040	SHEET NO. 1 OF 2
THIS DRAWING CONTAINS INFORMATION THAT IS PROPRIETARY TO MOLEX INCORPORATED AND SHOULD NOT BE USED WITHOUT WRITTEN PERMISSION						C		

