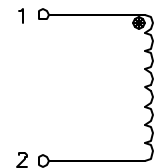


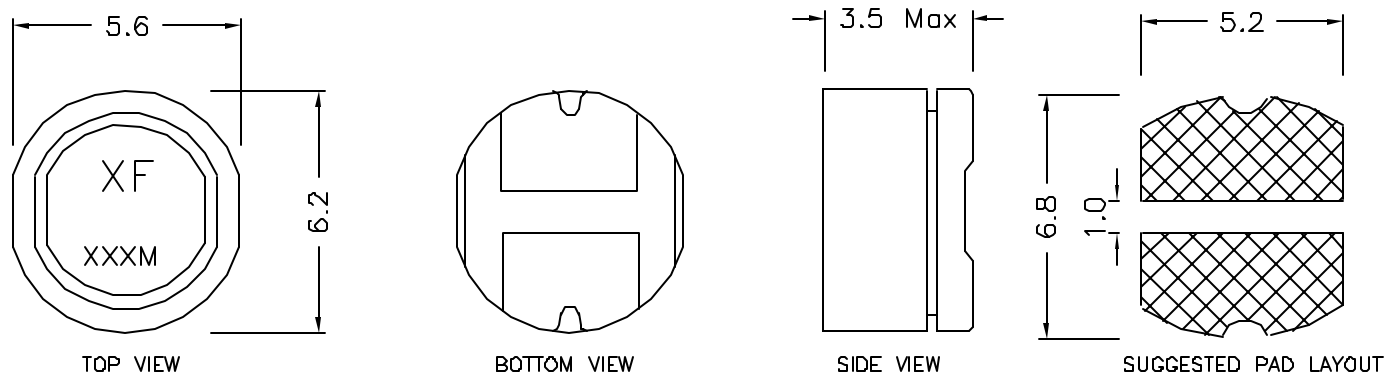
## XFSDR63SH SERIES INDUCTORS

- \* LOW PROFILE SMD TYPE FOR HIGH CURRENT APPLICATION
- \* TAPE AND REEL PACKAGING FOR HIGH VOLUME MANUFACTURING  
1200 PCS PER 13" REEL
- \* FOR DC/DC CONVERTERS, DC/AC INVERTERS, VRM APPLICATIONS
- \* TEMP. RISE; 30°C TYPICAL ABOVE 60°C AMBIENT
- \* OPERATING TEMP.: -40°C TO +85°C
- \* FLAMMABILITY: UL94V-0

Schematic:



Mechanical Dimensions:



Part Number	INDUCTANCE uH ( $\pm 20\%$ )	Test Frequency (Hz)	Resistance DCR Ohm Max	Rated Current IDC Max (A)	Marking
XFSDR63SH-100M	10.0	1K	0.168	1.00	100
XFSDR63SH-120M	12.0	1K	0.192	0.94	120
XFSDR63SH-150M	15.0	1K	0.216	0.86	150
XFSDR63SH-180M	18.0	1K	0.300	0.78	180
XFSDR63SH-220M	22.0	1K	0.384	0.76	220
XFSDR63SH-270M	27.0	1K	0.432	0.64	270
XFSDR63SH-330M	33.0	1K	0.492	0.61	330
XFSDR63SH-390M	39.0	1K	0.564	0.53	390
XFSDR63SH-470M	47.0	1K	0.612	0.50	470
XFSDR63SH-560M	56.0	1K	0.864	0.46	560
XFSDR63SH-680M	68.0	1K	0.984	0.42	680