

PLEASE CHECK WWW.MOLEX.COM FOR LATEST PART INFORMATION

Part Number: [0908971503](#)
Status: **Active**
Description: 2.54mm (.100) Pitch QF-50™, Right Angle, Dual Row with Eject Levers, Shrouded Header, 50 Circuits, Without Strain Relief

Documents:

[Drawing \(PDF\)](#) [RoHS Certificate of Compliance \(PDF\)](#)

General

Product Family	Ribbon Cable / Wire Trap Connectors
Series	90897
Comments	Din Eject Levers
Component Type	PCB Header
Glow-Wire Compliant	No
Product Name	QF-50™

Physical

Circuits (Loaded)	50
Circuits (maximum)	50
Color - Resin	Black
Durability (mating cycles max)	30
Entry Angle	90° Angle
Lock to Mating Part	None
Material - Metal	Brass
Material - Plating Mating	Gold
Material - Plating Termination	Tin
Material - Resin	Polyester Alloy
Number of Rows	2
PCB Retention	None
PCB Thickness Recommended (in)	0.062 In
PCB Thickness Recommended (mm)	1.60 mm
Packaging Type	Tray
Pitch - Mating Interface (in)	0.100 In
Pitch - Mating Interface (mm)	2.54 mm
Polarized to Mating Part	No
Polarized to PCB	No
Shrouded	Yes
Stackable	No
Surface Mount Compatible (SMC)	No
Temperature Range - Operating	-40°C to +105°C
Wire Insulation Diameter	N/A
Wire Size AWG	N/A
Wire/Cable Type	Ribbon Cable

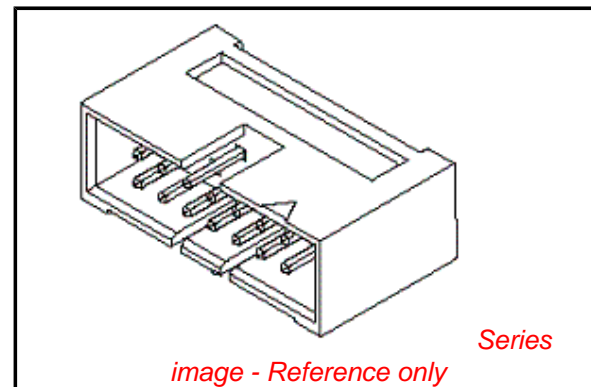
Electrical

Current - Maximum per Contact	1A
Voltage - Maximum	250V

Material Info

Reference - Drawing Numbers

Sales Drawing	SDA-90897
---------------	-----------



EU RoHS

China RoHS

Compliance Status

Not Reviewed

REACH SVHC

Not Reviewed

Halogen-Free

Status

Not Reviewed

Need more information on product environmental compliance?

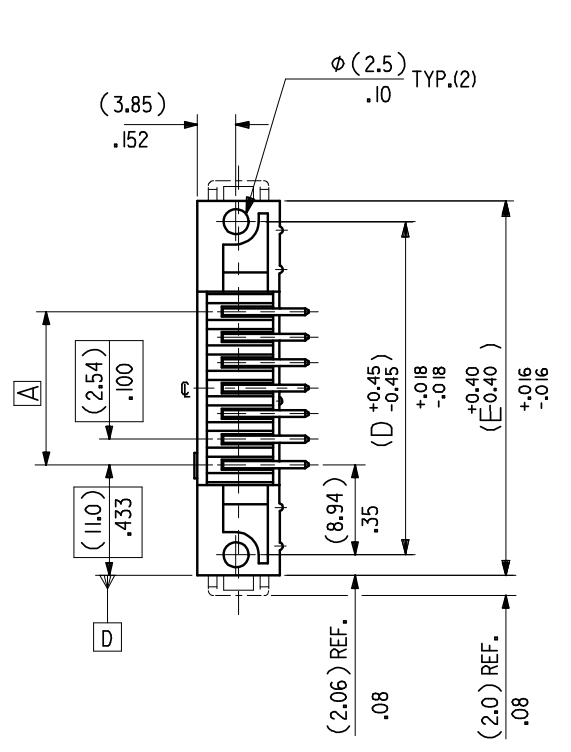
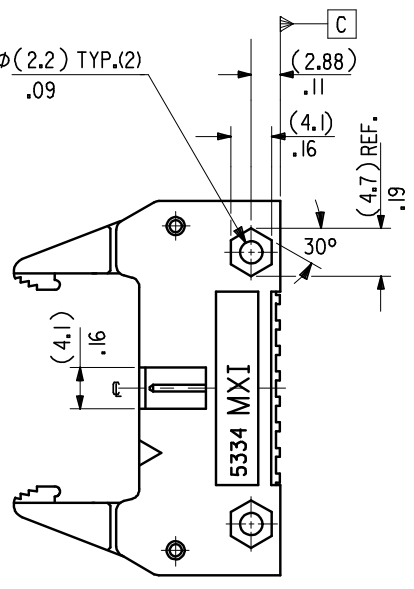
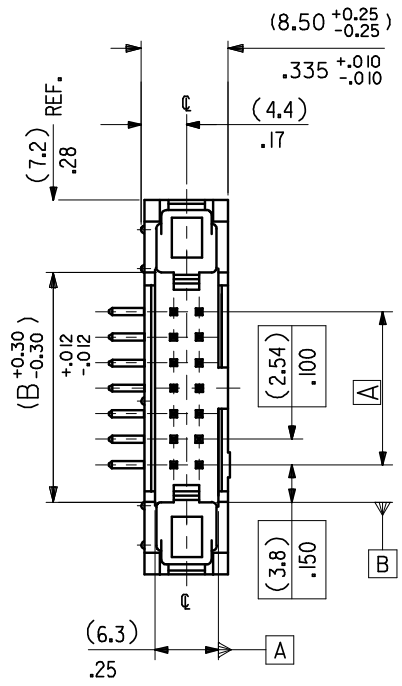
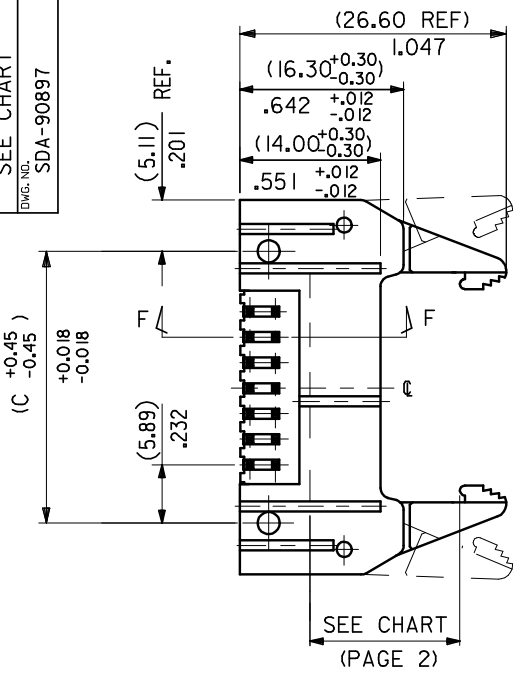
Email productcompliance@molex.com
 For a multiple part number RoHS Certificate of Compliance, [click here](#)

Please visit the [Contact Us](#) section for any non-product compliance questions.

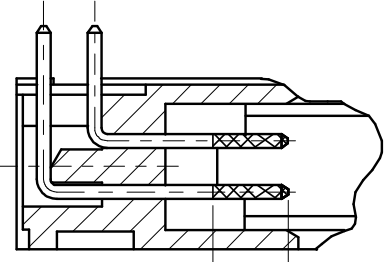
Search Parts in this Series

[90897Series](#)

PART NO. SEE CHART
 DWG. NO. SDA-90897



DETAIL A
 DIM'S FOR SELECTIVE
 GOLD PLATING

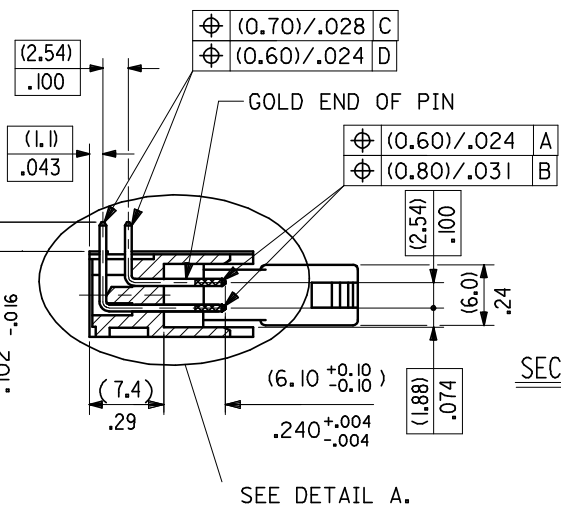


MEASURE POINT
 FOR GOLD PLATING
 THICKNESS TYP.

NOTES:

- 1: FOR MATERIAL SPECIFICATION SEE NOTE 1, ON SHEET 2.
- 2: FOR RECOMMENDED P.C.B.HOLE PATTERN, PART No's AND UNSTATED DIMENSIONS SEE SHEET 2.
- 3: PRODUCT SPEC.No.: ES 990206

PLEASE
 PREPARE
 REFERENCE
 USE ONLY



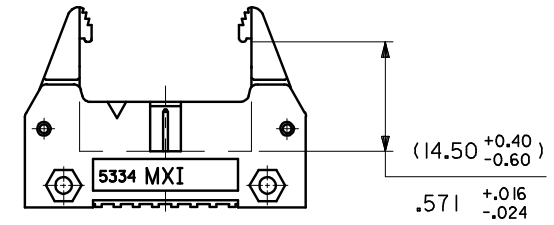
SECTION F-F

FOR PREVIOUS
 DRAWING ISSUES
 SEE MRI.

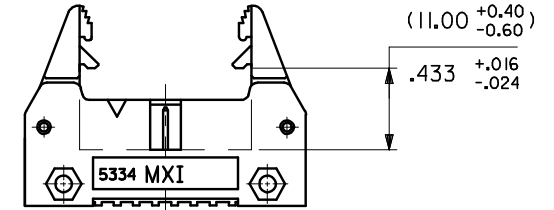
REVISION UP-DATE E2004-0792 EC.No. PSHEAHAN 04/02/IT CHK'S APPR.		DIMENSIONS SHOWN (METRIC) INCH UNLESS OTHERWISE SPECIFIED TOLERANCES: ANGULAR ± 2° INCH (METRIC) 3 PLACE ± .008 ± 0.20 2 PLACE ± .008 ± 0.20 1 PLACE ± 0.20 DRAFT WHERE APPLICABLE MUST REMAIN WITHIN DIMENSIONS		DRWG BY PW CHK'D BY APP'D BY SCALE 2:1		REVISE ONLY ON CAD SYSTEM CAD/CAM FILENAME S90897X1 DGN THIS DRAWING CONTAINS INFORMATION THAT IS PROPRIETARY TO MOLEX INC. & SHOULD NOT BE USED WITHOUT WRITTEN PERMISSION		TITLE QF-50 R/A HEADER WITH DIN EJECT LEVERS TO MATE WITH MX-50 FEMALE	
SHEET NO. 10F2 DATE 94/11/07		MOLEX MOLEX EUROPE		SHEET NO. DATE 10F2 94/11/07		PART NO. SEE CHART DWG NO. SDA-90897		SIZE B	

PART NO. SEE CHART
 DWG. NO. SDA-90897

(78.74)/3.100	(86.34)/3.400	(90.52)/3.564	(96.62)/3.804	(100.74)/3.966	90897-*64*	64
(73.66)/2.900	(81.26)/3.200	(85.44)/3.364	(91.54)/3.604	(95.66)/3.766	-*60*	60
(60.96)/2.400	(68.56)/2.700	(72.74)/2.864	(78.84)/3.104	(82.96)/3.266	-*50*	50
(48.26)/1.900	(55.86)/2.200	(60.04)/2.364	(66.14)/2.604	(70.26)/2.766	-*40*	40
(40.64)/1.600	(48.24)/1.900	(52.42)/2.064	(58.52)/1.304	(62.64)/2.466	-*34*	34
(35.56)/1.400	(43.16)/1.700	(47.34)/1.864	(53.44)/2.104	(57.56)/2.266	-*30*	30
(30.48)/1.200	(38.08)/1.500	(42.26)/1.664	(48.36)/1.904	(52.48)/2.066	-*26*	26
(22.86)/.900	(30.46)/1.200	(34.64)/1.364	(40.74)/1.604	(44.86)/1.766	-*20*	20
(17.78)/.700	(25.38)/1.000	(29.56)/1.164	(35.66)/1.404	(39.78)/1.566	-*16*	16
(15.24)/.600	(22.84)/.900	(27.02)/1.064	(33.12)/1.304	(37.24)/1.466	-*14*	14
(10.16)/.400	(17.76)/.700	(21.94)/.864	(28.04)/1.104	(32.16)/1.266	90897-*10*	10
A	B	C	D	E	ENG. NO.	NO.OF CKTS.

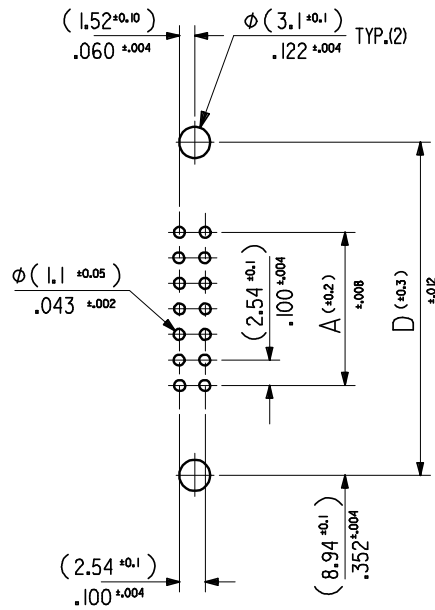


90897-2*** STRAIN RELIEF VERSION



90897-1*** NON STRAIN RELIEF VERSION

- 1*** LATCH FOR FEMALE WITH NO STRAIN RELIEF
- 2*** LATCH FOR FEMALE WITH STRAIN RELIEF
- PLATING TYPE
- CCT SIZE



RECOMMENDED P.C.B. HOLE PATTERN.

NOTES

1. MATERIAL

- HEADER : GLASS FILLED POLYESTER (UL 94V0), COLOUR - BLACK.
- LEVER : GLASS FILLED POLYESTER (UL 94V0), COLOUR - BLACK.
- PINS : BRASS SIZE (0.635)/.025 .
- SPRING PINS : STEEL

2. PLATING TYPE

- UNDERPLATE FOR ALL PLATING TYPES, (1um)/39uin MIN. NICKEL OVERALL.
- ***1 PLATING (0.1um)/4uin MIN GOLD. SOLDER AREA (3um)/118uin MIN TIN
- ***2 PLATING (0.76um)/30uin MIN GOLD. SOLDER AREA (3um)/118uin MIN TIN
- ***3 PLATING (0.25um)/10uin MIN GOLD. SOLDER AREA (3um)/118uin MIN TIN



FOR PREVIOUS
DRAWING ISSUES
SEE MRI.

LEAD FREE CONVERSION E2004-0792 DIPN: PSHAHAN 04/02/IT		THIRD ANGLE PROJECTION		REVISE ONLY ON CAD SYSTEM		SH.	REV.
DIMENSIONS SHOWN (METRIC) INCH UNLESS OTHERWISE SPECIFIED TOLERANCES: ANGULAR ± 2°		DRWG BY PW		CAD/CAM FILENAME S90897X2 DGN		THIS DRAWING CONTAINS INFORMATION THAT IS PROPRIETARY TO MOLEX INC. & SHOULD NOT BE USED WITHOUT WRITTEN PERMISSION	
INCH (METRIC)		CHK'D BY		TITLE QF-50 R/A HEADER WITH DIN EJECT LEVERS TO MATE WITH MX-50 FEMALE			
3 PLACE ± .008		APP'D BY		MOLEX MOLEX EUROPE		SHEET NO.	DATE
2 PLACE ± .020		SCALE		2:1		20F	94/11/07
1 PLACE ±		EQUIVALENT DIMENSION (SECONDARY)		PART NO.		DWG NO.	
DRAFT WHERE APPLICABLE MUST REMAIN WITHIN DIMENSIONS		DESIGN DIMENSION (PRIMARY)		SEE CHART		SDA-90897	
DRAFT WHERE APPLICABLE MUST REMAIN WITHIN DIMENSIONS		EQUIVALENT DIMENSION (SECONDARY)		SIZE		B	