

**PLEASE CHECK WWW.MOLEX.COM FOR LATEST PART INFORMATION**

**Part Number:** [0533240760](#)  
**Status:** **Active**  
**Description:** 2.00mm (.079") Pitch Mi II™ System Wire-to-Board Header, Single Row, Vertical, Lead-free, 7 Circuits

**Documents:**

<a href="#">3D Model</a>	<a href="#">Product Specification PS-52484-021 (PDF)</a>
<a href="#">Drawing (PDF)</a>	<a href="#">RoHS Certificate of Compliance (PDF)</a>
<a href="#">Product Specification PS-51090-016 (PDF)</a>	

**Agency Certification**

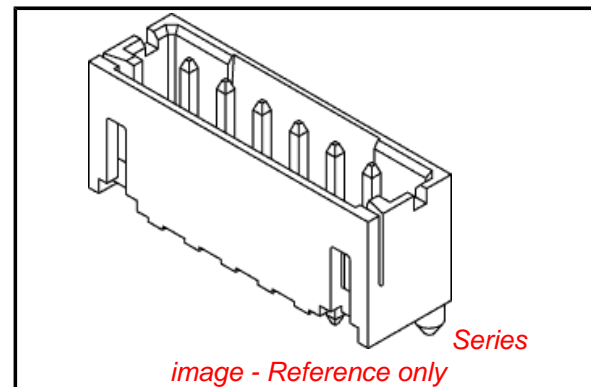
CSA	LR19980
UL	E29179

**General**

Product Family	PCB Headers
Series	<a href="#">53324</a>
Application	Wire-to-Board
Product Name	Mi II™

**Physical**

Breakaway	No
Circuits (Loaded)	7
Circuits (maximum)	7
Color - Resin	Natural
Durability (mating cycles max)	30
First Mate / Last Break	No
Flammability	94V-0
Glow-Wire Compliant	No
Guide to Mating Part	No
Keying to Mating Part	None
Lock to Mating Part	Yes
Material - Metal	Brass
Material - Plating Mating	Tin
Material - Plating Termination	Tin
Material - Resin	Nylon
Number of Rows	1
Orientation	Vertical
PC Tail Length (in)	0.138 In
PC Tail Length (mm)	3.50 mm
PCB Locator	Yes
PCB Retention	Yes
PCB Thickness Recommended (in)	0.062 In
PCB Thickness Recommended (mm)	1.60 mm
Packaging Type	Tray
Pitch - Mating Interface (in)	0.079 In
Pitch - Mating Interface (mm)	2.00 mm
Plating min: Mating (µin)	40
Plating min: Mating (µm)	1.00
Plating min: Termination (µin)	40
Plating min: Termination (µm)	1.00
Polarized to PCB	Yes
Shrouded	Fully
Stackable	No
Surface Mount Compatible (SMC)	No
Temperature Range - Operating	-40°C to +105°C



**EU RoHS**

**ELV and RoHS Compliant**  
**REACH SVHC**  
 Not Reviewed  
**Halogen-Free Status**

**China RoHS**



**Not Reviewed**

**Need more information on product environmental compliance?**

Email [productcompliance@molex.com](mailto:productcompliance@molex.com)  
 For a multiple part number RoHS Certificate of Compliance, [click here](#)

Please visit the [Contact Us](#) section for any non-product compliance questions.

**Search Parts in this Series**

[53324Series](#)

**Mates With**

[52484](#) Wire-to-Board IDT Receptacle.,  
[51090](#) Crimp Terminal

Termination Interface: Style

Through Hole

**Electrical**

Current - Maximum per Contact

2A

Voltage - Maximum

125V

**Material Info**

**Reference - Drawing Numbers**

Product Specification

PS-51090-016, PS-52484-021, RPS-51090-001,  
RPS-51090-017, RPS-51090-022, RPS-52484-022,  
RPS-52484-025, RPS-52484-026, RPS-53324-001  
SD-53324-003

Sales Drawing

This document was generated on 04/16/2010

**PLEASE CHECK [WWW.MOLEX.COM](http://WWW.MOLEX.COM) FOR LATEST PART INFORMATION**

DWG. NO. SD-53324-003

F

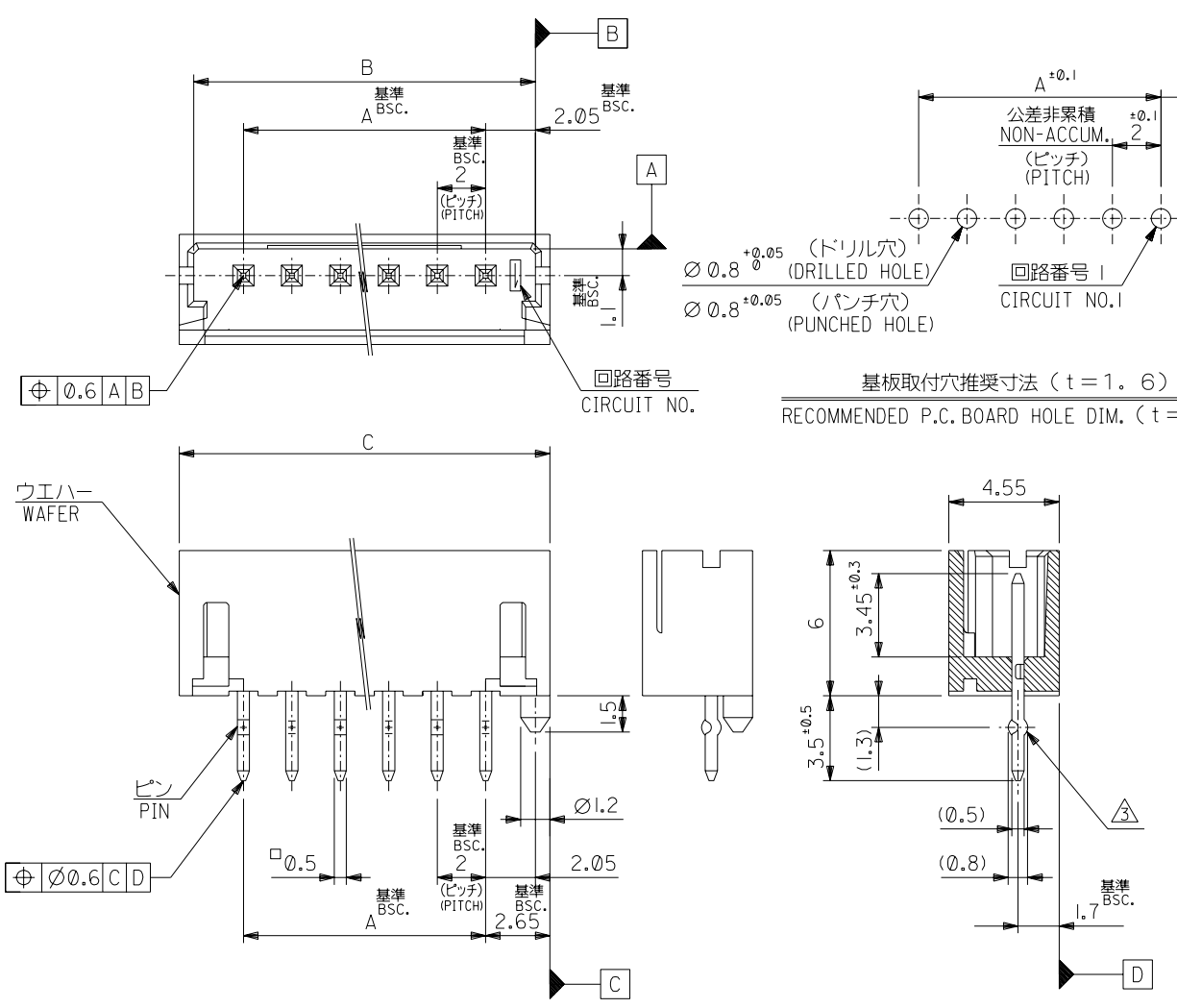
D

V

C

B

DO NOT SCALE DRAWING



注記 NOTES

1. 嵌合相手: 51090-\*\*\*00, 52484-\*\*\*1\*  
MATES WITH
  2. 材質 MATERIAL  
ウエハー: ガラス入り 66ナイロン  
UL94V-0 色: 表参照  
WAFER: GLASS FILL 66 NYLON  
UL94V-0, COLOR: SEE CHART  
ピン: 黄銅, スズメッキ  
PIN: BRASS, PRE-TINNED
- △ キングは全ピンに交互に付加。2極はキング無し。  
SET KINK ALTERNATELY TO ALL CIRCUITS.  
CIRCUIT 2 HAS NO KINK.
- △ 製品番号 MATERIAL NO.  
53324-\*\*\*6\*  
極数CIRCUIT SIZE 色COLOR
- |                              |   |
|------------------------------|---|
| ナチュラル (白)<br>NATURAL (WHITE) | 0 |
| 赤<br>RED                     | 2 |
| 黄<br>YELLOW                  | 3 |
| 青<br>BLUE                    | 4 |

無鉛  
LEAD FREE

15	33.3	32.1	28	53324-156*	53324-***6*
14	31.3	30.1	26	-146*	
13	29.3	28.1	24	-136*	
12	27.3	26.1	22	-126*	
11	25.3	24.1	20	-116*	
10	23.3	22.1	18	-106*	
9	21.3	20.1	16	-096*	
8	19.3	18.1	14	-086*	
7	17.3	16.1	12	-076*	
6	15.3	14.1	10	-066*	
5	13.3	12.1	8	-056*	
4	11.3	10.1	6	-046*	
3	9.3	8.1	4	-036*	
2	7.3	6.1	2	53324-026*	
極数 CKT.	C	B	A	△ MATERIAL NO.	

EC NO. DRWN: CHK: APPR:	EC NO. DRWN: CHK: APPR:	EC NO. DRWN: CHK: APPR:	EC NO. DRWN: CHK: APPR:	RELEASD ECNNO: J2003-2361 DRWN: A.IDA '03/03/13 CHK: J.MIYAZAWA '03/03/13 APPR: YO.ITO '03/03/13	DESCRIPTION MATERIAL 材料 FINISH 仕上げ WIRE RANGE 適用線径範囲 INS. RANGE 被覆外径	注記参照 SEE NOTES	GENERAL TOLERANCES: (UNLESS SPECIFIED) 一般公差	SCALE 5-1	DESIGN UNITS <input checked="" type="checkbox"/> mm <input type="checkbox"/> INCH	THIRD ANGLE PROJECTION	DIMENSIONS: <input type="checkbox"/> mm <input type="checkbox"/> INCH <input type="checkbox"/> mm ONLY	SHT REV
							10 UNDER 未満 ±0.2 10 OVER 以上 30 UNDER 未満 ±0.25 30 OVER 以上 ±0.3	DRAWN BY & DATE A. Ida '03/03/13	CHECKED BY & DATE J. Miyazawa '03/03/13	TITLE: 2.0 WIRE TO BOARD CONN. WAFER ASS'Y (ST.)		
							ANGLE 角度 ±3°	APPROVED BY & DATE Y. Ito '03/03/13	MOLEX MOLEX INCORPORATED			
							CAD FILENAME SD-53324-003.S01	MATERIAL NO. SEE CHART	DRAWING NO. SD-53324-003	SHEET NO. 1 OF 1		
							THIS DRAWING CONTAINS INFORMATION THAT IS PROPRIETARY TO MOLEX INCORPORATED AND SHOULD NOT BE USED WITHOUT WRITTEN PERMISSION.				SIZE B	