

### Features

- Formerly *J.W. Miller* model
- Power rating: 6 watts
- Operating frequency: 60 KHz  $\pm 25\%$
- Tape and reel packaging
- RoHS compliant\*

### Applications

- LCD flat panel displays
- Notebook / palmtop computers
- Portable instruments
- Retail terminals

**BOURNS®**

## PM61300 Series - SMD CCFL Transformer

### Electrical Specifications

Bourns Part No.	PRIMARY			SECONDARY			Turns Ratio
	L -10 % @10 KHZ ( $\mu$ H)	DCR Max. ( $\Omega$ )	Voltage (V)	DCR Max. ( $\Omega$ )	Voltage (V)	Irms (mA)	
PM61300-1-RC	44	0.61	25	132	1300	70	50
PM61300-2-RC	44	0.82	20	175	1300	70	67
PM61300-3-RC	27	1.10	15	175	1300	70	86
PM61300-4-RC	20	1.88	13	175	1300	70	100
PM61300-5-RC	20	2.34	10.5	290	1300	70	125

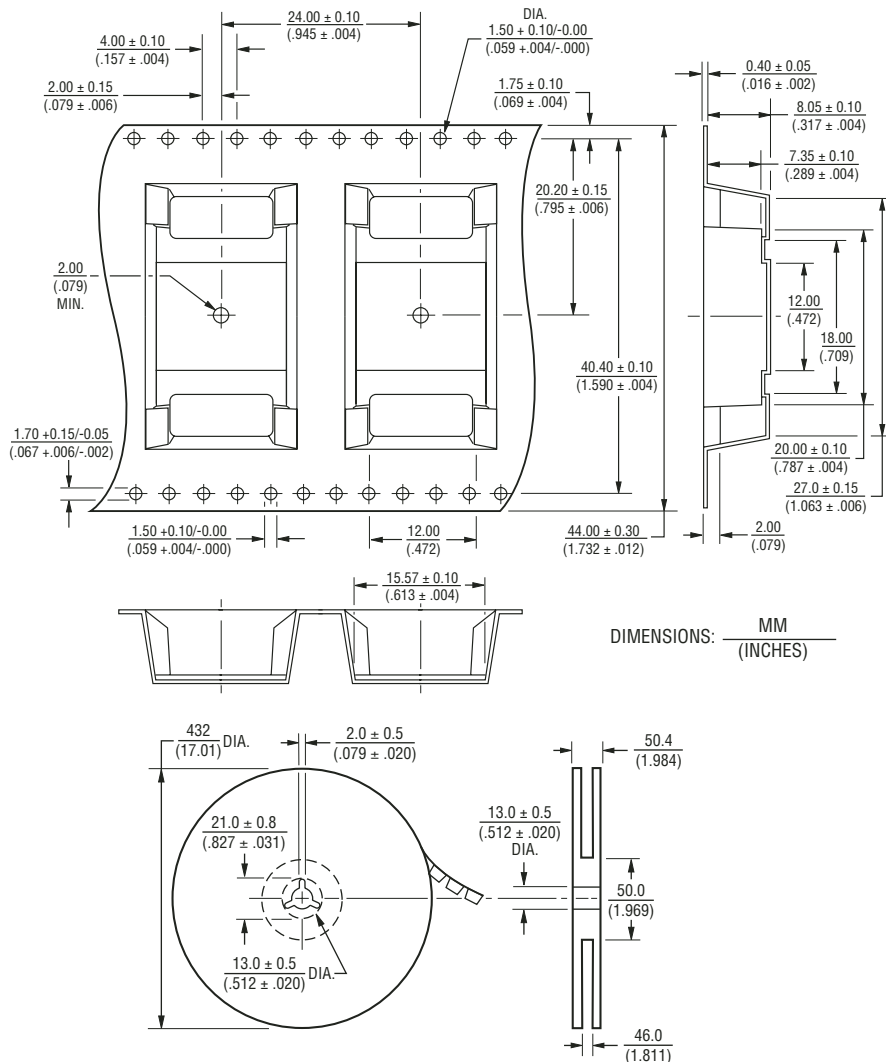
### General Specifications

Operating Temperature...-40 °C to +105 °C  
 Storage Temperature.....-40 °C to +105 °C  
 Soldering.....245 °C, 5 seconds max.  
 Dielectric Strength.....1500 Vrms between windings

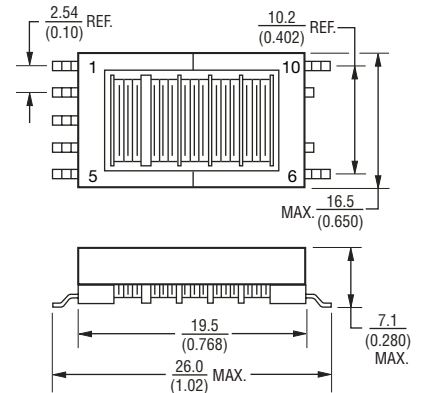
### Materials

Core.....Ferrite  
 Wire.....Polyester-coated copper  
 Terminal Coating.....Sn  
 Packaging .....250 pcs. per 17-inch reel

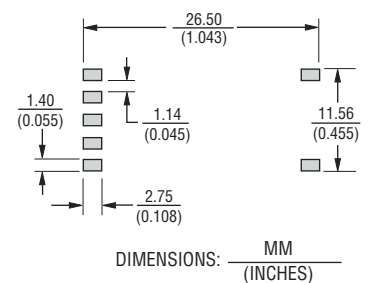
### Packaging Specifications



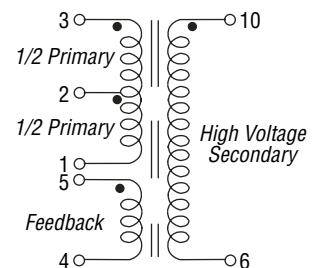
### Product Dimensions



### Recommended Pad Layout



### Schematic



REV. 06/08

\*RoHS Directive 2002/95/EC Jan 27 2003 including Annex  
 Specifications are subject to change without notice.  
 Customers should verify actual device performance in their specific applications.