

NPN SILICON RF POWER TRANSISTOR

DESCRIPTION:

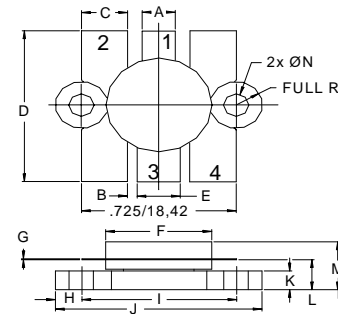
The **ASI BLV25** is a 28 V silicon NPN power transistor designed primarily for VHF FM broadcast transmitters.

FEATURES:

- 28 V operation
- $P_G = 10$ dB at 175 W/108 MHz
- **Omnigold™** Metalization System
- Diffused Ballast Resistors

MAXIMUM RATINGS

I_C	17.5 A
V_{CESM}	65 V
V_{CEO}	33 V
V_{EBO}	4.0 V
P_{DISS}	220 W @ $T_C = 25^\circ\text{C}$
T_J	-65 °C to +200 °C
T_{STG}	-65 °C to +150 °C
θ_{JC}	0.80 °C/W

PACKAGE STYLE .500 6L FLG


DIM	MINIMUM inches / mm	MAXIMUM inches / mm
A	.150 / 3.43	.160 / 4.06
B	.045 / 1.14	
C	.210 / 5.33	.220 / 5.59
D	.835 / 21.21	.865 / 21.97
E	.200 / 5.08	.210 / 5.33
F	.490 / 12.45	.510 / 12.95
G	.003 / 0.08	.007 / 0.18
H	.125 / 3.18	
I	.725 / 18.42	
J	.970 / 24.64	.980 / 24.89
K	.090 / 2.29	.105 / 2.67
L	.150 / 3.81	.170 / 4.32
M	.285 / 7.24	
N	.120 / 3.05	.135 / 3.43

1 = COLLECTOR 2&4 = EMITTER 3 = BASE

CHARACTERISTICS $T_C = 25^\circ\text{C}$

SYMBOL	TEST CONDITIONS		MINIMUM	TYPICAL	MAXIMUM	UNITS
BV_{CES}	$I_C = 50$ mA		65			V
BV_{CEO}	$I_C = 200$ mA		33			V
BV_{EBO}	$I_E = 20$ mA		4.0			V
I_{CES}	$V_{CE} = 33$ V				25	mA
h_{FE}	$V_{CE} = 25$ V	$I_C = 8.5$ A	15		100	---
V_{CESat}	$I_C = 20$ A	$I_C = 4.0$ A		1.6		V
C_c	$V_{CB} = 25$ V	$f = 1.0$ MHz		275		pF
P_G η_C	$V_{CC} = 28$ V	$P_{OUT} = 175$ W	10 65			dB %