

**PLEASE CHECK WWW.MOLEX.COM FOR LATEST PART INFORMATION**

**Part Number:** [0359410284](#)  
**Status:** **Active**  
**Description:** 4.75mm (.187") Tab Housing, 15.20mm (.598") Pitch, Positive Latch, for Drain Motor, 2 Circuits, UL94V-2, Blue

**Documents:**

[3D Model](#) [Product Specification PS-35941-001 \(PDF\)](#)  
[Drawing \(PDF\)](#) [RoHS Certificate of Compliance \(PDF\)](#)

**General**

Product Family Crimp Housings  
 Series [35941](#)  
 Product Name N/A

**Physical**

Circuits (maximum) 2  
 Gender Female  
 Glow-Wire Compliant No  
 Lock to Mating Part Yes  
 Number of Rows 1  
 Packaging Type Bag  
 Panel Mount No  
 Pitch - Mating Interface (in) 0.598 In  
 Pitch - Mating Interface (mm) 15.20 mm  
 Polarized to Mating Part Yes  
 Temperature Range - Operating -40°C to +105°C

**Electrical**

Current - Maximum per Contact 10A

**Material Info**

**Reference - Drawing Numbers**

Product Specification PS-35941-001  
 Sales Drawing SD-35941-001

**EU RoHS**

**ELV and RoHS Compliant**

**REACH SVHC**

Not Reviewed

**Halogen-Free**

**Status**

**Not Reviewed**

**China RoHS**



**Need more information on product environmental compliance?**

Email [productcompliance@molex.com](mailto:productcompliance@molex.com)  
 For a multiple part number RoHS Certificate of Compliance, [click here](#)

Please visit the [Contact Us](#) section for any non-product compliance questions.

**Search Parts in this Series**

[35941Series](#)

**Mates With**

[Drain Motor Interface](#)

**Use With**

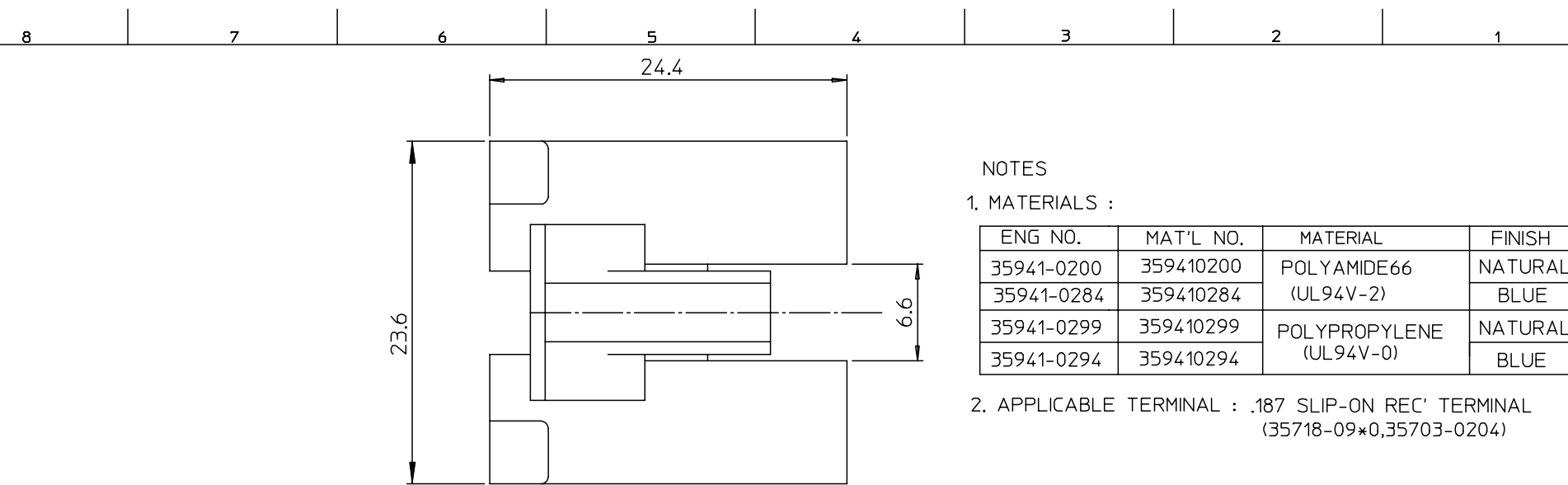
[35703-0204 Terminal](#), [35718-0900 Terminal](#), [35718-0910 Terminal](#)

DWG. NO.  
SD-35941-001

SIMILAR ITEM

PROJECT NO.

DO NOT SCALE DRAWING  
DIMENSION IN METRIC

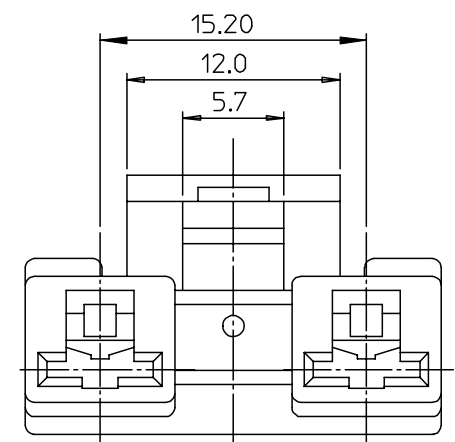
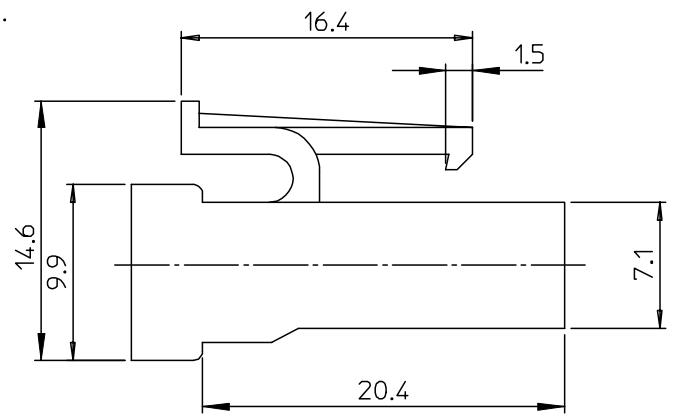
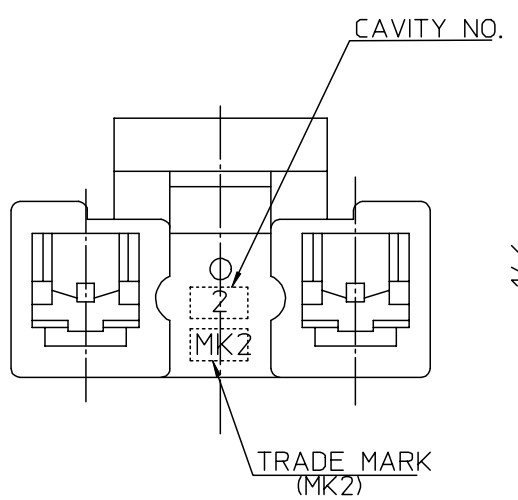


NOTES

1. MATERIALS :

ENG NO.	MAT'L NO.	MATERIAL	FINISH
35941-0200	359410200	POLYAMIDE66 (UL94V-2)	NATURAL
35941-0284	359410284		BLUE
35941-0299	359410299	POLYPROPYLENE (UL94V-0)	NATURAL
35941-0294	359410294		BLUE

2. APPLICABLE TERMINAL : .187 SLIP-ON REC' TERMINAL  
(35718-09\*0,35703-0204)



REVISED	ECN NO. KOR2004-0073 DRWN: C.B.CHIN 04/05/14 CHK: W.Y.YANG APPR: C.W.LEE	DESCRIPTION	QUALITY SYMBOLS	GENERAL TOLERANCES: (UNLESS SPECIFIED)		SCALE	DESIGN UNITS	THIRD ANGLE PROJECTION	DIMENSIONS:		SHT	REV	
			MAJOR	mm	INCH	4:1	<input checked="" type="checkbox"/> mm <input type="checkbox"/> INCH	<input type="checkbox"/> THIRD ANGLE	<input type="checkbox"/> mm ONLY	<input type="checkbox"/> INCH ONLY	<input type="checkbox"/> mm ONLY	REVISE ON CAD ONLY	
			CRITICAL	4 PLACES ±0.	±-	W.Y.YNAG 99/11/14	TITLE:	.187 HOUSING-2P (FOR DRAIN MOTOR)		MOLEX INCORPORATED			
			0	3 PLACES ±0.	±-	CHECKED BY & DATE B.K.CHOI 99/11/14	APPROVED BY & DATE C.W.LEE 99/11/14		MATERIAL NO. SEE NOTES		DRAWING NO. SD-35941-001	SHEET NO. 1 OF 1	
B	REV	0	2 PLACES ±0.30	±-	CAD FILENAME S9410200.MI	THIS DRAWING CONTAINS INFORMATION THAT IS PROPRIETARY TO MOLEX INCORPORATED AND SHOULD NOT BE USED WITHOUT WRITTEN PERMISSION.		KOREA		SIZE B			
			1 PLACE ±0.30	±-	DRAFT WHERE APPLICABLE MUST REMAIN WITHIN DIMENSIONS		MX-A3						