

PLEASE CHECK WWW.MOLEX.COM FOR LATEST PART INFORMATION

Part Number: [0754775001](#)
Status: **Active**
Overview: [sfp_stacked_connectors](#)
Description: Small Form-factor Pluggable (SFP) Stacked 2-by-6 Multi-Port Connector with Press-fit PC Tails, 240 Circuits, Lead Free

Documents:

[3D Model](#) [Product Specification PS-75310-001 \(PDF\)](#)
[Application Specification \(PDF\)](#) [RoHS Certificate of Compliance \(PDF\)](#)
[Drawing \(PDF\)](#)

General

Product Family	I/O Connectors
Series	75477
Application	Module-to-Board
Component Type	Receptacle
Overview	sfp_stacked_connectors
Product Name	SFP
Type	N/A

Physical

Boot Color	N/A
Circuits (Loaded)	240
Circuits (maximum)	240
Color - Resin	Black
Durability (mating cycles max)	100
Gender	Female
Lock to Mating Part	Yes
Material - Metal	High Performance Alloy (HPA)
Material - Plating Mating	Gold
Material - Plating Termination	Tin
Material - Resin	High Temperature Thermoplastic
Number of Rows	2
Orientation	Right Angle
PC Tail Length (in)	0.084 In
PC Tail Length (mm)	2.07 mm
PCB Locator	Yes
PCB Retention	Yes
PCB Thickness Recommended (in)	0.063 In
PCB Thickness Recommended (mm)	1.60 mm
Packaging Type	Tray
Panel Mount	No
Pitch - Mating Interface (in)	0.031 In
Pitch - Mating Interface (mm)	0.80 mm
Pitch - Term. Interface (in)	0.031 In
Pitch - Term. Interface (mm)	0.80 mm
Plating min: Mating (µin)	30.4
Plating min: Mating (µm)	0.76
Plating min: Termination (µin)	30.4
Plating min: Termination (µm)	0.76
Polarized to Mating Part	Yes
Polarized to PCB	Yes
Ports	12
Surface Mount Compatible (SMC)	No
Temperature Range - Operating	-40°C to +85°C
Termination Interface: Style	Through Hole - Compliant Pin

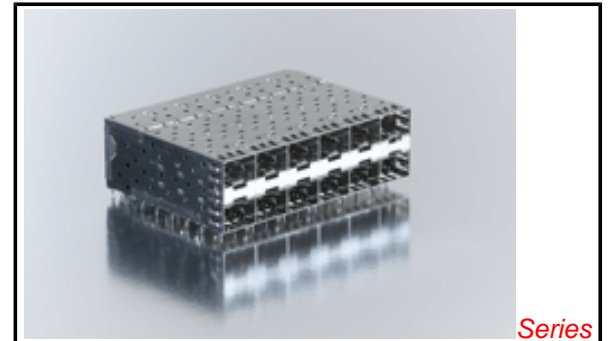


image - Reference only

Series

EU RoHS
ELV and RoHS
Compliant
REACH SVHC
 Not Reviewed
Halogen-Free
Status
 Not Reviewed

China RoHS



Need more information on product environmental compliance?

Email productcompliance@molex.com
 For a multiple part number RoHS Certificate of Compliance, [click here](#)

Please visit the [Contact Us](#) section for any non-product compliance questions.

Search Parts in this Series
[75477Series](#)

Use With
[0759510999](#) SFP Dust Plug,

Application Tooling | FAQ
Tooling specifications and manuals are found by selecting the products below. Crimp Height Specifications are then contained in the Application Tooling Specification document.

Global	
Description	Product #
SFP Insertion Tool, x 6	20622029925
SFP Stacked Multi-Port Extraction Tool, 2 by 6	0622029950

Waterproof / Dustproof

No

Electrical

Current - Maximum per Contact

0.5A

Shield Type

EMI Fingers

Shielded

Yes

Voltage - Maximum

120V AC (RMS)/DC

Material Info

Reference - Drawing Numbers

Application Specification

AS-75310-001

Packaging Specification

PK-75451-001

Product Specification

PS-75310-001

Sales Drawing

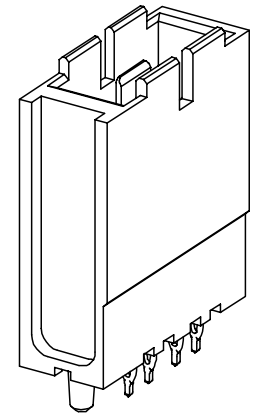
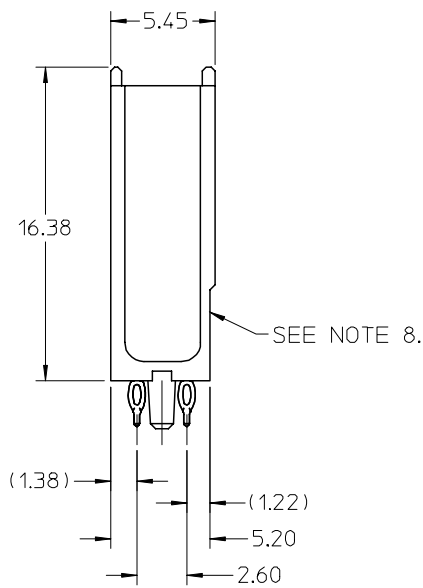
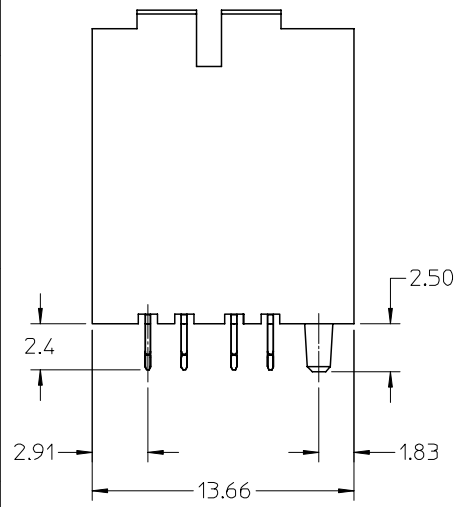
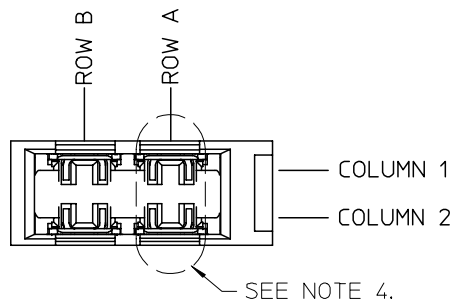
SD-75477-001, SD-75477-101

This document was generated on 05/28/2010

PLEASE CHECK WWW.MOLEX.COM FOR LATEST PART INFORMATION

10 9 8 7 6 5 4 3 2 1

- NOTES:
1. MATERIALS: HOUSING - LIQUID CRYSTAL POLYMER (LCP), UL 94V-0, GRAY; CONTACT - COPPER ALLOY
 2. FINISH: SELECT GOLD IN CONTACT AREA, 50 μ" THICK; TIN/LEAD OR MATTE TIN IN COMPLIANT AREA.
 3. PACKAGING PER PK-70873-578.
 4. CONTACTS IN EACH ROW HAVE THE SAME WIPE LENGTH.
 5. BACKPLANE ASSEMBLY MATES WITH DAUGHTERCARD POWER MODULE 75292-2***.
 6. PART SHOWN IS 75492-1067.
 7. SEE OTHER SHEETS FOR ADDITIONAL NOTES.
 8. WHEN INSERTING OPEN SIGNAL MODULES NEXT TO COLUMN 1 SIDE OF POWER MODULES, SIGNAL MODULES MUST BE INSERTED BEFORE THE POWERS TO AVOID INTERFERENCE BETWEEN THE TWO CONNECTOR HOUSINGS.
 9. THESE PARTS CONFORM TO MOLEX PRODUCT SPECIFICATION PS-75221-999.
 10. THESE PARTS CONFORM TO MOLEX COSMETIC SPECIFICATION PS-45499-002 CLASS B.



1-UP ASSEMBLY PART NUMBER

- 7 5 4 9 2 - 1 0 A B
- TIN/LEAD PLATED PRODUCT - FOR EACH ROW LOCATION A, B:
 - 4 = 4.5 mm
 - 6 = 6.0 mm
 - 7 = 7.5 mm
 - LEAD-FREE PLATED PRODUCT - FOR EACH ROW LOCATION A, B:
 - 2 = 4.5 mm
 - 3 = 6.0 mm
 - 5 = 7.5 mm

SEE SHEET 4 FOR HOLE PATTERN LAYOUT

ADDED NOTES 9 & 10 EC NO: UCP2008-0426 DRWN: C STEWART 2007/08/29 CHKD: J BINGHAM 2007/08/30 APPR: J BINGHAM 2007/08/31	DESCRIPTION REV	QUALITY SYMBOLS ▽=0 ▽=0	GENERAL TOLERANCES (UNLESS SPECIFIED)		DIMENSION STYLE MM ONLY		SCALE 4:1	DESIGN UNITS METRIC	THIRD ANGLE PROJECTION
		4 PLACES ± --- ± --- 3 PLACES ± --- ± --- 2 PLACES ± --- ± --- 1 PLACE ± --- ± ---	mm INCH DRAWN BY DATE ELO 2005/07/01 CHECKED BY DATE ELO 2005/07/01 APPROVED BY DATE BIXLER 2005/07/06	TITLE GBX 2 PAIR BACKPLANE POWER SALES ASSEMBLY		MOLEX MOLEX INCORPORATED			
		ANGULAR ± 5 °	MATERIAL NO. SEE CHART DOCUMENT NO. SD-75492-001	SHEET NO. 1 OF 4					
		DRAFT WHERE APPLICABLE MUST REMAIN WITHIN DIMENSIONS		SIZE B THIS DRAWING CONTAINS INFORMATION THAT IS PROPRIETARY TO MOLEX INCORPORATED AND SHOULD NOT BE USED WITHOUT WRITTEN PERMISSION					

9 8 7 6 5 4 3 2 1

2-UP ASSEMBLY PART NUMBER

7 5 4 9 2 - 2 0 A B

- TIN/LEAD PLATED PRODUCT -
FOR EACH ROW LOCATION A, B:

4 = 4.5 mm

6 = 6.0 mm

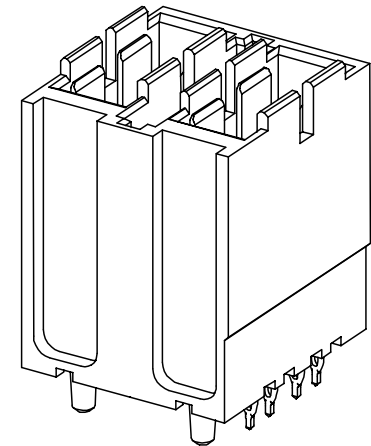
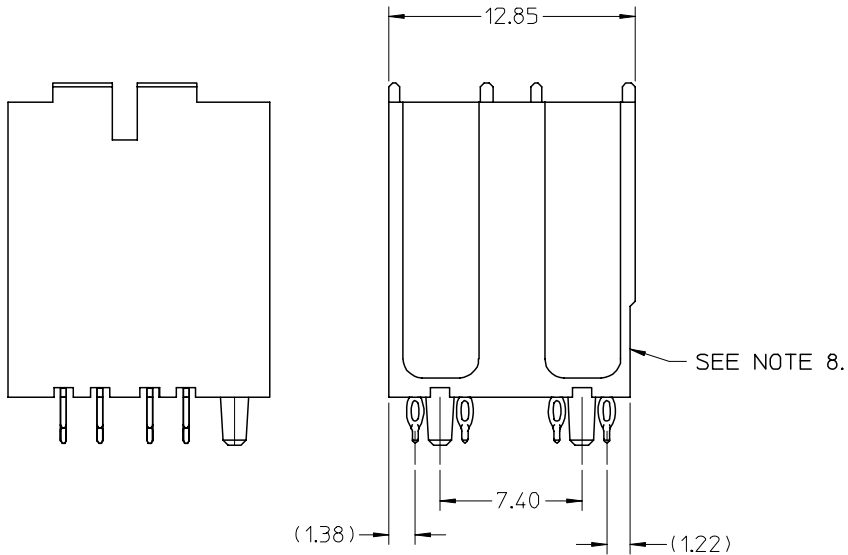
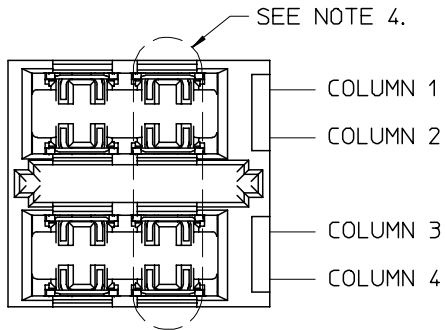
7 = 7.5 mm

- LEAD-FREE PLATED PRODUCT -
FOR EACH ROW LOCATION A, B:

2 = 4.5 mm

3 = 6.0 mm

5 = 7.5 mm

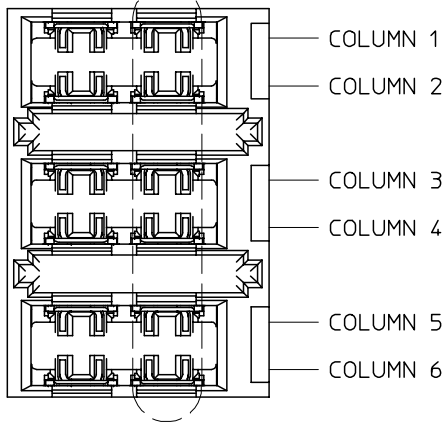


SEE SHEET 1 FOR ADDITIONAL INFORMATION
CHECK WITH PRODUCT MANAGER FOR AVAILABILITY

SEE SHEET ONE EC NO: UCP2008-0426 DRWN: STEWART 2007/08/29 CHKD: BINGHAM 2007/08/30 APPR: BINGHAM 2007/08/31	QUALITY SYMBOLS ▽=0 ▽=0	GENERAL TOLERANCES (UNLESS SPECIFIED)		DIMENSION STYLE MM ONLY	SCALE 4:1	DESIGN UNITS METRIC	THIRD ANGLE PROJECTION			
		4 PLACES	± ---	± ---	DRAWN BY ELO	DATE 2005/07/01	TITLE GBX 2 PAIR BACKPLANE POWER SALES ASSEMBLY			
		3 PLACES	± ---	± ---	CHECKED BY	DATE 2005/07/01	MOLEX INCORPORATED			
2 PLACES	± ---	± ---	1 PLACE	± ---	± ---	APPROVED BY BIXLER	DATE 2005/07/06	MATERIAL NO. SEE CHART	DOCUMENT NO. SD-75492-001	SHEET NO. 2 OF 4
DRAFT WHERE APPLICABLE MUST REMAIN WITHIN DIMENSIONS		ANGULAR ± 5 °		THIS DRAWING CONTAINS INFORMATION THAT IS PROPRIETARY TO MOLEX INCORPORATED AND SHOULD NOT BE USED WITHOUT WRITTEN PERMISSION						

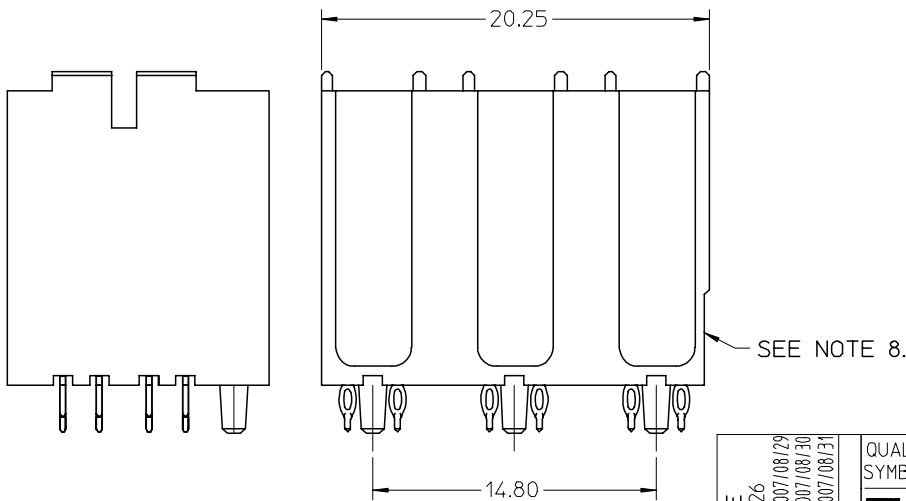
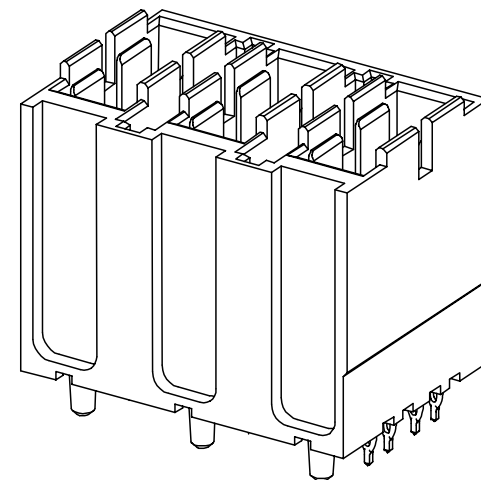
10 9 8 7 6 5 4 3 2 1

SEE NOTE 4.



3-UP ASSEMBLY PART NUMBER

- 7 5 4 9 2 - 3 0 A B
- TIN/LEAD PLATED PRODUCT -
 - FOR EACH ROW LOCATION A, B:
 - 4 = 4.5 mm
 - 6 = 6.0 mm
 - 7 = 7.5 mm
 - LEAD-FREE PLATED PRODUCT -
 - FOR EACH ROW LOCATION A, B:
 - 2 = 4.5 mm
 - 3 = 6.0 mm
 - 5 = 7.5 mm



SEE SHEET 1 FOR ADDITIONAL INFORMATION
CHECK WITH PRODUCT MANAGER FOR AVAILABILITY

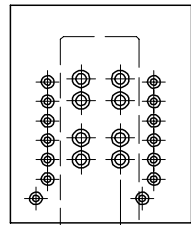
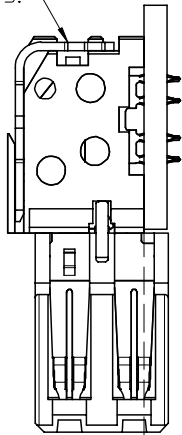
SEE SHEET ONE EC NO: UCP2008-0426 DRWN: C STEWART 2007/08/29 CHKD: J BINGHAM 2007/08/30 APPR: J BINGHAM 2007/08/31	QUALITY SYMBOLS ▽=0 ▽=0	GENERAL TOLERANCES (UNLESS SPECIFIED)		DIMENSION STYLE MM ONLY		SCALE 4:1	DESIGN UNITS METRIC	THIRD ANGLE PROJECTION		
				mm	INCH	DRAWN BY DATE ELO 2005/07/01		TITLE GBX 2 PAIR BACKPLANE POWER SALES ASSEMBLY		
		4 PLACES	± ---	± ---	CHECKED BY DATE ELO 2005/07/01		APPROVED BY DATE BIXLER 2005/07/06			
		3 PLACES	± ---	± ---	MATERIAL NO.		DOCUMENT NO.		SHEET NO.	
2 PLACES	± ---	± ---	DRAFT WHERE APPLICABLE MUST REMAIN WITHIN DIMENSIONS		SEE CHART		MOLEX INCORPORATED		3 OF 4	
1 PLACE	± ---	± ---	ANGULAR ± 5 °		SIZE B		THIS DRAWING CONTAINS INFORMATION THAT IS PROPRIETARY TO MOLEX INCORPORATED AND SHOULD NOT BE USED WITHOUT WRITTEN PERMISSION			

9 8 7 6 5 4 3 2 1

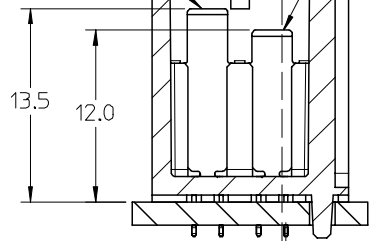
HOLE PATTERN FOR 1-UP ASSEMBLY

- 1.) ADD 7.40 FROM CENTERLINES OF PEG FOR MULTIPLE UP ASSEMBLIES
- 2.) USE 5.55 FROM CENTERLINE TO CENTERLINE OF PEG FOR INDIVIDUAL POWER MODULES STACKED NEXT TO EACH OTHER.

SEE NOTE 5.



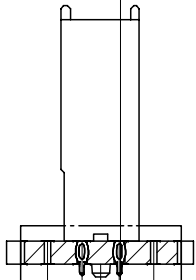
7.5 mm WIPE 6.0 mm WIPE



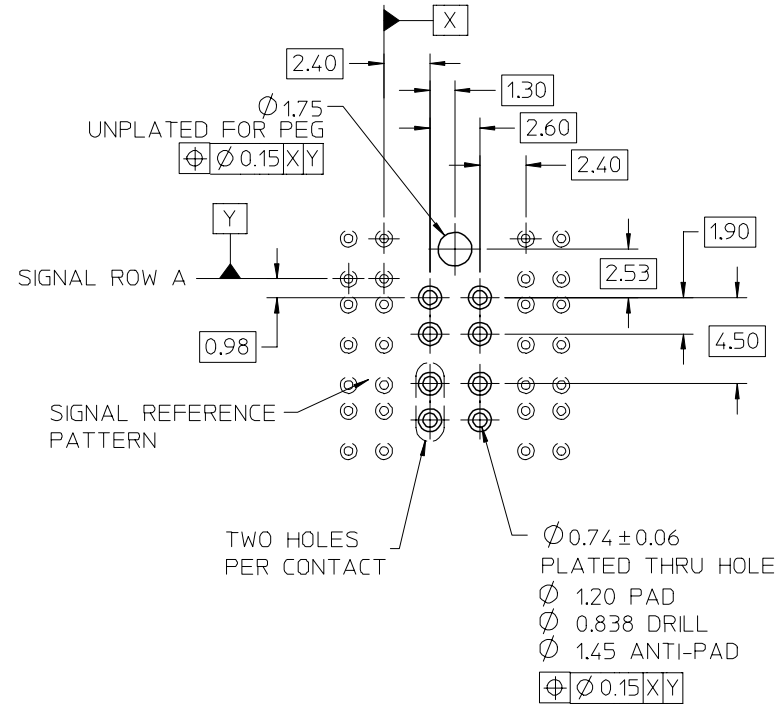
SEE NOTE 6.

0.27

DC BOARD EDGE TO CENTERLINE OF BP TAIL



0.06



SEE SHEET ONE

EC NO: UCP2008-0426

DRWN: C STEWART 2007/08/29

CHKD: J BINGHAM 2007/08/30

APPR: J BINGHAM 2007/08/31

REV	DESCRIPTION

QUALITY SYMBOLS

▽=0

▽=0

GENERAL TOLERANCES (UNLESS SPECIFIED)

	mm	INCH
4 PLACES	± ---	± ---
3 PLACES	± ---	± ---
2 PLACES	± ---	± ---
1 PLACE	± ---	± ---

ANGULAR ± 5 °

DRAFT WHERE APPLICABLE MUST REMAIN WITHIN DIMENSIONS

DIMENSION STYLE

MM ONLY

DRAWN BY	DATE
ELO	2005/07/01
CHECKED BY	DATE
ELO	2005/07/01
APPROVED BY	DATE
BIXLER	2005/07/06

MATERIAL NO. SEE PREVIOUS

SCALE	DESIGN UNITS	THIRD ANGLE PROJECTION
4:1	METRIC	
TITLE		
GBX 2 PAIR BACKPLANE POWER SALES ASSEMBLY		
MOLEX INCORPORATED		
MATERIAL NO.	DOCUMENT NO.	SHEET NO.
SEE PREVIOUS	SD-75492-001	4 OF 4

THIS DRAWING CONTAINS INFORMATION THAT IS PROPRIETARY TO MOLEX INCORPORATED AND SHOULD NOT BE USED WITHOUT WRITTEN PERMISSION