

**PLEASE CHECK WWW.MOLEX.COM FOR LATEST PART INFORMATION**

**Part Number:** [5016461000](#)  
**Status:** **Active**  
**Overview:** [igrid](#)  
**Description:** 2.00mm (.079") Pitch iGrid™ Wire-to-Board Housing, Dual Row, Positive Lock, 10 Circuits

**Documents:**

[3D Model](#) [Product Specification PS-501646-001 \(PDF\)](#)  
[Drawing \(PDF\)](#) [RoHS Certificate of Compliance \(PDF\)](#)

**General**

Product Family	Crimp Housings
Series	<a href="#">501646</a>
MolexKits	Yes
Overview	<a href="#">igrid</a>
Product Name	iGrid™

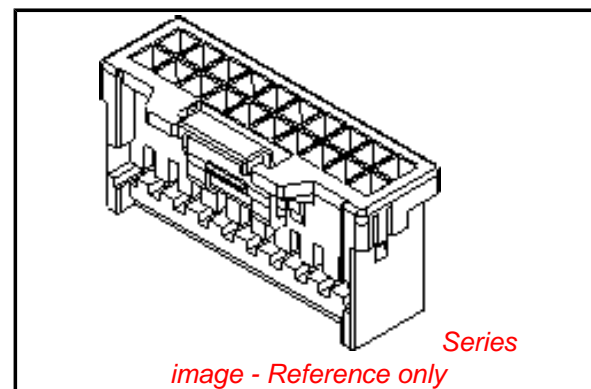
**Physical**

Circuits (maximum)	10
Color - Resin	Natural
Gender	Female
Glow-Wire Compliant	No
Lock to Mating Part	Yes
Material - Resin	Nylon
Number of Rows	2
Packaging Type	Bag
Panel Mount	No
Pitch - Mating Interface (in)	0.079 In
Pitch - Mating Interface (mm)	2.00 mm
Polarized to Mating Part	Yes
Stackable	No
Temperature Range - Operating	-25°C to +85°C

**Material Info**

**Reference - Drawing Numbers**

Product Specification	PS-501646-001, RPS-501646-001, RPS-501646-002, RPS-501646-003, RPS-501646-004, RPS-501646-005, RPS-501646-006, RPS-501646-007, RPS-503091-001
Sales Drawing	SD-501646-001



**EU RoHS**

**ELV and RoHS Compliant**  
**REACH SVHC Contains SVHC: No**  
**Halogen-Free Status**  
**Not Reviewed**

**China RoHS**



**Need more information on product environmental compliance?**

Email [productcompliance@molex.com](mailto:productcompliance@molex.com)  
 For a multiple part number RoHS Certificate of Compliance, [click here](#)

Please visit the [Contact Us](#) section for any non-product compliance questions.

**Search Parts in this Series**

[501646Series](#)

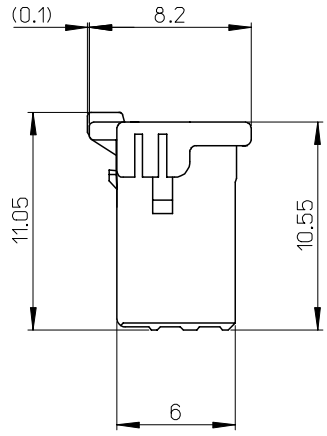
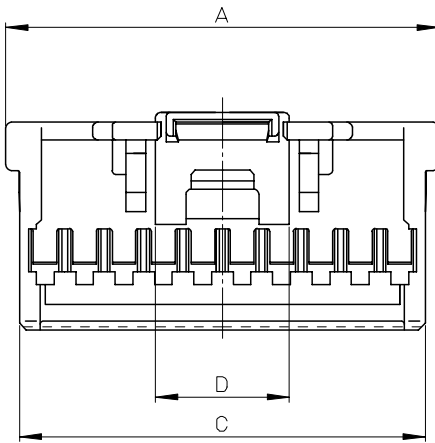
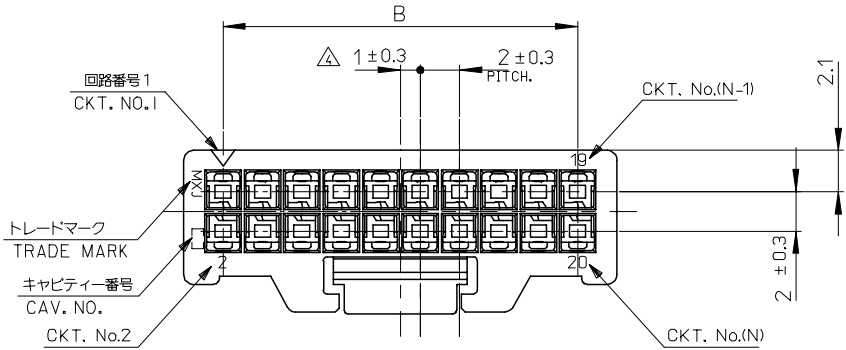
**Mates With**

[501645](#) Vertical Header . [501876](#) Right Angle Header

**Use With**

[501647](#) 22-26 AWG Terminal . [501648](#) 26-28 AWG Terminal

10 9 8 7 6 5 4 3 2 1



注記 NOTES

- 材料 MATERIAL  
ハウジング : 66ナイロン, UL94V-0  
HOUSING : 66NYLON, UL94V-0
- 嵌合相手 :501645 シリーズ  
MATE WITH : 501645 SERIES
- 適合ターミナル : 501647 シリーズ  
APPLICABLE TERMINAL : 501647 SERIES

△ (全極数/2) = 偶数の場合に適用。  
APPLY FOR (CIRCUIT/2)=EVEN

△ 製品番号 MATERIAL NO.  
**501646 -\*\*0\***  
極数 CIRCUIT SIZE 色 COLOR

ナチュラル NATURAL	0
黒 BLACK	1
赤 RED	2
黄 YELLOW	3
青 BLUE	4
桃 PINK	5
緑 GREEN	6
茶 BROWN	7
橙 ORANGE	8
紫 VIOLET	9

6.8	40.6	38	42	501646 -400*	40
6.8	38.6	36	40	-380*	38
6.8	36.6	34	38	-360*	36
6.8	34.6	32	36	-340*	34
6.8	32.6	30	34	-320*	32
6.8	30.6	28	32	-300*	30
6.8	28.6	26	30	-280*	28
6.8	26.6	24	28	-260*	26
6.8	24.6	22	26	-240*	24
6.8	22.6	20	24	-220*	22
6.8	20.6	18	22	-200*	20
6.8	18.6	16	20	-180*	18
6.8	16.6	14	18	-160*	16
6.8	14.6	12	16	-140*	14
6.8	12.6	10	14	-120*	12
5.1	10.6	8	12	501646 -100*	10
D	C	B	A	△ MATERIAL NO. CKT.	

REVISED EC NO: J2006-1309 DRWN: ITO CHKD: ASAKAWA APPR: S. CHIKAWA	GENERAL TOLERANCES (UNLESS SPECIFIED)		DIMENSION STYLE MM ONLY		SCALE 4:1	DESIGN UNITS METRIC	THIRD ANGLE PROJECTION	
	10 UNDER	±0.2	DRAWN BY N. ITO	DATE '05/07/04	TITLE 2.0MM W/B DUAL CONN DIP RCPT HSG			
	10 OVER 30 UNDER	±0.25	CHECKED BY ASAKAWA	DATE '05/07/04				
	30 OVER	±0.3	APPROVED BY ICHIKAWA	DATE '05/07/04	MOLEX INCORPORATED			
	ANGULAR	±3 °	MATERIAL NO. 501646-**0*	DOCUMENT NO. SD-501646-001				
DRAFT WHERE APPLICABLE MUST REMAIN WITHIN DIMENSIONS		SIZE A3	THIS DRAWING CONTAINS INFORMATION THAT IS PROPRIETARY TO MOLEX INCORPORATED AND SHOULD NOT BE USED WITHOUT WRITTEN PERMISSION					