

**PLEASE CHECK WWW.MOLEX.COM FOR LATEST PART INFORMATION**

**Part Number:** [0351890200](#)  
**Status:** **Active**  
**Description:** 4.75mm (.187") Tab, MP-Lock™ Housing, 2 Circuits, 6.00mm (.236") Pitch, UL94V-2, Natural

**Documents:**

[3D Model](#) [RoHS Certificate of Compliance \(PDF\)](#)  
[Drawing \(PDF\)](#)

**Agency Certification**

CSA LR95446  
 UL E29179

**General**

Product Family Crimp Housings  
 Series [35189](#)  
 Product Name MP-Lock™

**Physical**

Breakaway No  
 Circuits (maximum) 2  
 Flammability 94V-2  
 Gender Female  
 Glow-Wire Compliant No  
 Keying to Mating Part None  
 Lock to Mating Part None  
 Number of Rows 2  
 Packaging Type Bag  
 Panel Mount No  
 Pitch - Mating Interface (in) 0.236 In  
 Pitch - Mating Interface (mm) 6.00 mm  
 Polarized to Mating Part Yes  
 Stackable No  
 Temperature Range - Operating -40°C to +105°C

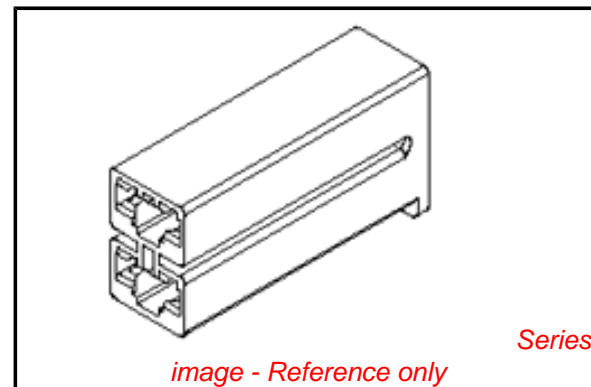
**Electrical**

Current - Maximum per Contact 12A

**Material Info**

**Reference - Drawing Numbers**

Product Specification RPS-35068-001  
 Sales Drawing SD-35189-0200



**EU RoHS**

**ELV and RoHS Compliant**  
**REACH SVHC Contains SVHC: No**  
**Halogen-Free Status**

**China RoHS**



**Need more information on product environmental compliance?**

Email [productcompliance@molex.com](mailto:productcompliance@molex.com)  
 For a multiple part number RoHS Certificate of Compliance, [click here](#)

Please visit the [Contact Us](#) section for any non-product compliance questions.

**Search Parts in this Series**

[35189Series](#)

**Mates With**

Appliance Timer|Temperature Switch|  
 Micro Switch|Appliance Motor|Appliance  
 Magnetron|Appliance Capacitor|Appliance  
 Transformer|Appliance Heater

**Use With**

[35068](#) MP-Lock™ Quick Disconnect

10 9 8 7 6 5 4 3 2 1

F

E

D

C

B

A

F

E

D

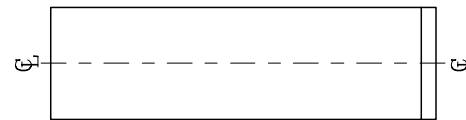
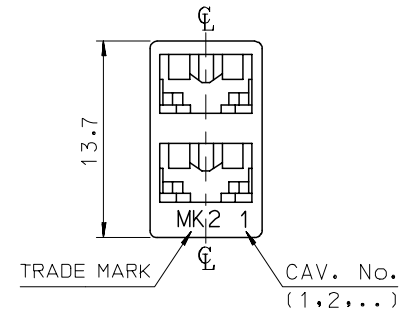
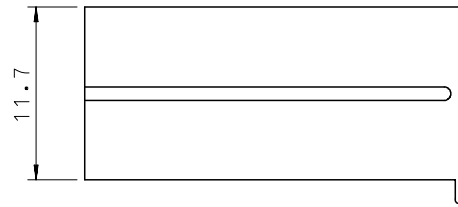
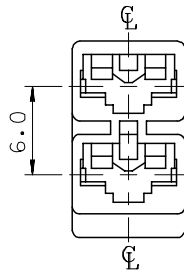
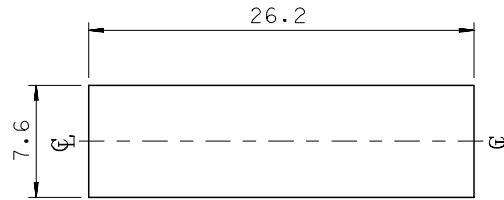
C

B

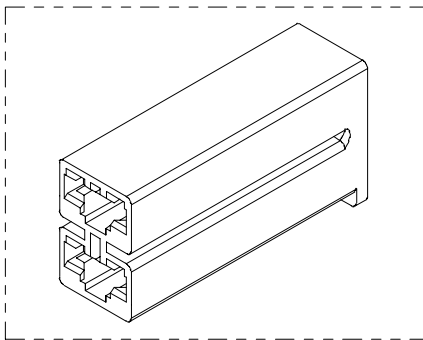
A

NOTES

1. MATERIAL : NYLON
2. COLOR: 35189-0200 NATURAL  
35189-0202 RED  
35189-0203 YELLOW  
35189-0204 BLUE
3. APPLICABLE TERMINAL:35068-9\*\*2
4. GENERAL TOLERANCE:±0.3



ISOMETRIC VIEW



REVISED EC NO: KOR2008-0083 DRWN: JHPARK01 2007/11/07 CHKD: WY. YANG 2007/11/07 APPR: YUNSIKKIM 2007/11/07	DESCRIPTION	QUALITY SYMBOLS	GENERAL TOLERANCES (UNLESS SPECIFIED)		DIMENSION STYLE	SCALE	DESIGN UNITS	THIRD ANGLE PROJECTION	
		$\nabla=0$ $\nabla C=0$	mm	INCH	MM ONLY	3:1	METRIC		
REV	DESCRIPTION	4 PLACES	±---	±---	DRAWN BY	DATE	TITLE	.187 P-LOCK HSG-2P (6MM PITCH)	
		3 PLACES	±---	±---	JS. KANG				
REV	DESCRIPTION	2 PLACES	±---	±---	CHECKED BY	DATE		MOLEX INCORPORATED	
		1 PLACE	±0.3	±---					
		ANGULAR ± 1 °		APPROVED BY		DATE			
		DRAFT WHERE APPLICABLE MUST REMAIN WITHIN DIMENSIONS		MATERIAL NO.		DOCUMENT NO.	SHEET NO.		
				SEE NOTES		SD-35189-0200	1 OF 01		
				THIS DRAWING CONTAINS INFORMATION THAT IS PROPRIETARY TO MOLEX INCORPORATED AND SHOULD NOT BE USED WITHOUT WRITTEN PERMISSION					

9 8 7 6 5 4 3 2 1