

PLEASE CHECK WWW.MOLEX.COM FOR LATEST PART INFORMATION

Part Number: [0474940001](#)
Status: **Active**
Overview: sim smart card
Description: 2.54mm (.100") Pitch SIM Card Connector, 8 Circuits, Housing Height 1.50mm (.059"), Lead Free

Documents:

[3D Model](#) [Product Specification PS-47494-001 \(PDF\)](#)
[Drawing \(PDF\)](#) [RoHS Certificate of Compliance \(PDF\)](#)

General

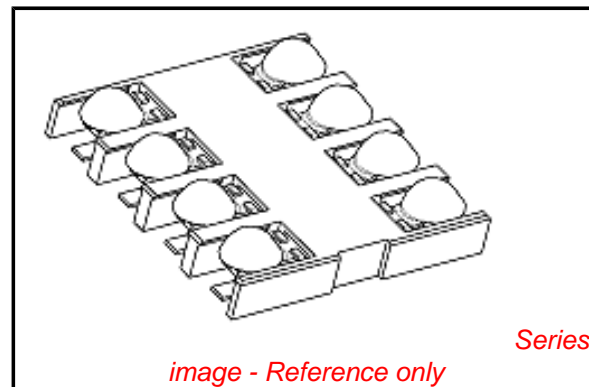
Product Family	Memory Card Sockets
Series	47494
Button Type	N/A
Comments	Housing Height: 1.50mm (.059")
Component Type	Header/Socket (Host)
Overview	sim smart card
Product Name	SIM
Type	N/A

Physical

Card Detection Switch	No
Circuits (Loaded)	8
Circuits (maximum)	8
Color - Resin	Black
Durability (mating cycles max)	500
Ejector Button Side	No Ejector Button Present
Entry Angle	Horizontal, Side Entry, Vertical
Keying to Mating Part	None
Material - Metal	Phosphor Bronze
Material - Plating Mating	Gold
Material - Plating Termination	Gold
Material - Resin	High Temperature Thermoplastic
PC Tail Length (in)	0.000 In
PC Tail Length (mm)	0.00 mm
PCB Locator	No
PCB Mounting Side	Normal
PCB Retention	None
Packaging Type	Embossed Tape on Reel
Pitch - Mating Interface (in)	0.100 In
Pitch - Mating Interface (mm)	2.54 mm
Pitch - Term. Interface (in)	0.100 In
Pitch - Term. Interface (mm)	2.54 mm
Plating min: Mating (µin)	32
Plating min: Mating (µm)	0.80
Plating min: Termination (µin)	2
Plating min: Termination (µm)	0.05
Ports	0
Temperature Range - Operating	-40°C to +85°C
Termination Interface: Style	Surface Mount

Electrical

Current - Maximum per Contact	0.5A
Shielded	No
Voltage - Maximum	15V DC
Voltage Key	N/A



EU RoHS

ELV and RoHS Compliant
REACH SVHC
 Not Reviewed
Halogen-Free Status

China RoHS



Need more information on product environmental compliance?

Email productcompliance@molex.com
 For a multiple part number RoHS Certificate of Compliance, [click here](#)

Please visit the [Contact Us](#) section for any non-product compliance questions.

Search Parts in this Series

[47494Series](#)

Mates With

Standard SIM Card

Use With

SIM Card

Solder Process Data

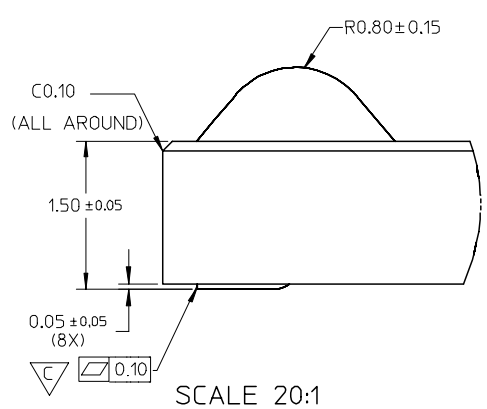
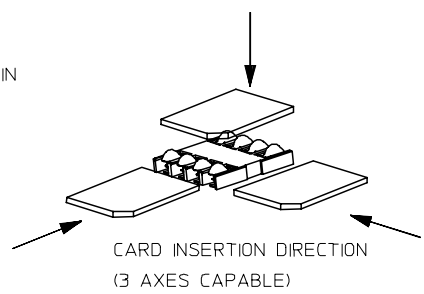
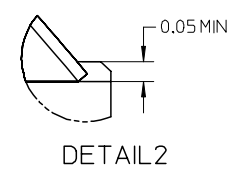
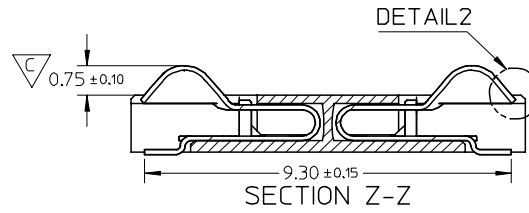
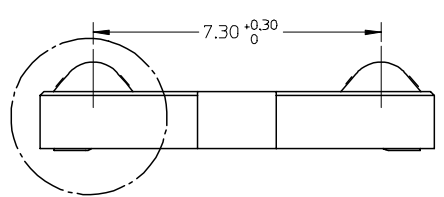
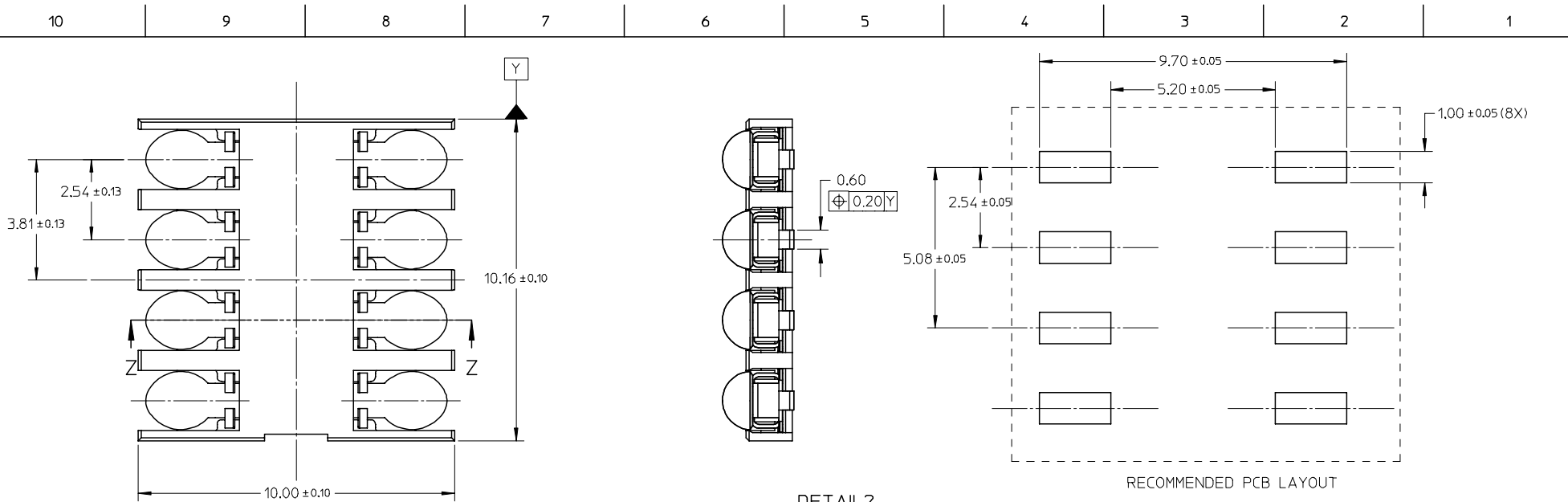
Duration at Max. Process Temperature (seconds)	10
Lead-free Process Capability	Reflow Capable (SMT only)
Max. Cycles at Max. Process Temperature	2
Process Temperature max. C	250

Material Info**Reference - Drawing Numbers**

Packaging Specification	PK-47494-001
Product Specification	PS-47494-001
Sales Drawing	SD-47494-001

This document was generated on 05/19/2010

PLEASE CHECK WWW.MOLEX.COM FOR LATEST PART INFORMATION



- NOTES:
- 1.MATERIAL:HOUSING---LCP 30% GLASS FILL
UL94 V-0,COLOR BLACK
TERMINAL---PHOSPHOR BRONZE 0.12MM REF THICKNESS
 - 2.PLATING:TERMINAL:SIM SIDE---0.8 MICROMETER MIN GOLD
SOLDER TAIL---GOLD FLASH 0.05 MICROMETER MIN
UNDERPLATING---2 MICROMETER NICKEL OVERALL
 - 3.NO SHARP EDGES INTERFACING WITH THE PCB OR SIM CARD
 - 4 CONTACT MUST NOT EXTENDED BEYOND HOUSING EDGE DURING DEFLECTION AND MUST LOWER THAN HOUSING LEVEL AFTER 3TIMES REFLOW
 - 5 MAINTAIN IN CONTACT AREA
 - 6 THIS IS LEAD FREE PRODUCT

NEW PRODUCT EC NO: DRWN:CYZHU CHKD:XIXU APPR: A	DESCRIPTION REV	QUALITY SYMBOLS ▽=0 ▽C=2	GENERAL TOLERANCES (UNLESS SPECIFIED)		DIMENSION STYLE MM ONLY		SCALE 5:1	DESIGN UNITS METRIC	THIRD ANGLE PROJECTION	
			mm	INCH	DRAWN BY CYZHU	DATE 2006/08/31	TITLE 8 CKT MEGA SIM CONNECTOR			
			4 PLACES ± ---	± ---	CHECKED BY	DATE				
			3 PLACES ± ---	± ---	APPROVED BY	DATE	MOLEX INCORPORATED		SHEET NO. 1 OF 1	
		2 PLACES ± 0.15	± ---	MATERIAL NO. 474940001		DOCUMENT NO. SD-47494-001				
		1 PLACE ± 0.2	± ---	DRAFT WHERE APPLICABLE MUST REMAIN WITHIN DIMENSIONS		THIS DRAWING CONTAINS INFORMATION THAT IS PROPRIETARY TO MOLEX INCORPORATED AND SHOULD NOT BE USED WITHOUT WRITTEN PERMISSION				
		ANGULAR ± 2 °		SIZE A3						