



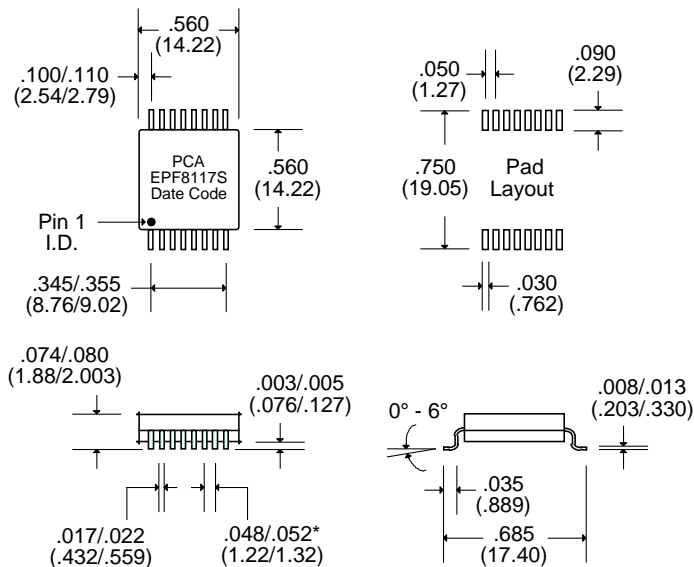
- Recommended for use with SSI 78Q2120
- Low Profile, Fully Integrated with Two Channels
- Guaranteed to operate with 8 mA DC bias at 70°C
- Complies with or exceeds IEEE 802.3, 10/100Base-TX Standards

Electrical Parameters @ 25° C

| OCL (@ 70°C) | Insertion Loss (dB Max.) | | | Return Loss (dB Min.) | | | Common Mode Rejection (dB Min.) | | | Crosstalk (dB Min.) [Between Channels] | |
|-----------------------------------|-----------------------------|--------------|------------|--------------------------|-------------|--------------|------------------------------------|--------------|--------------|---|--------------|
| | 1-80 MHz | @ 100 MHz | 150 MHz | @ 30 MHz | @ 60 MHz | @ 100 MHz | 1-30 MHz | @ 100 MHz | @ 500 MHz | 5-10 MHz | @ 100 MHz |
| 100 KHz, 0.1 Vrms 8 mA DC Bias | Xmit/Rcv | Xmit/Rcv | Xmit/Rcv | Xmit/Rcv | Xmit/Rcv | Xmit/Rcv | Xmit/Rcv | Xmit/Rcv | Xmit/Rcv | | |
| Cable Side | Xmit/Rcv | Xmit/Rcv | Xmit/Rcv | Xmit/Rcv | Xmit/Rcv | Xmit/Rcv | Xmit/Rcv | Xmit/Rcv | Xmit/Rcv | | |
| 350 µH | -1/-1 | -1/-1 | -3.5/-3.5 | -18/-18 | -12/-12 | -10/-10 | -30/-30 | -25/-25 | -10/-10 | -40 | -40 |

• Isolation : 1500 Vrms • Impedance : 100 • Rise Time : 3.0 nS Max. •

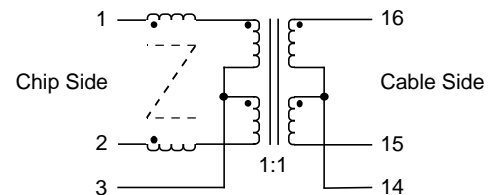
Package



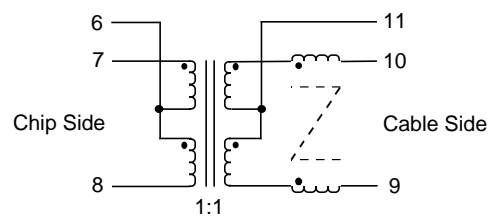
• * Non-Cumulative • Coplanarity within .003 Max. •

Schematic

Receive Channel



Transmit Channel



Unless Otherwise Specified Dimensions are in Inches /mm ± .010 / .25