

PLEASE CHECK WWW.MOLEX.COM FOR LATEST PART INFORMATION

Part Number: [0879180202](#)
Status: **Active**
Description: 0.60mm (.024") Pitch miniDIMM DDR Socket, Surface Mount, Right Angle, 2.5V Key, 200 Circuits, Lead-free

Documents:

[3D Model](#) [Product Specification PS-87918-001 \(PDF\)](#)
[Drawing \(PDF\)](#) [RoHS Certificate of Compliance \(PDF\)](#)

Agency Certification

CSA LR19980
 UL E29179

General

Product Family Memory Module Sockets
 Series [87918](#)
 Comments Latches in Off-White Color
 Component Type Socket
 JEDEC Outline MO-258
 Product Name MiniDIMM

Physical

Circuits (Loaded) 200
 Color - Resin Black, Natural
 Durability (mating cycles max) 25
 Entry Angle 90° Angle (Side Entry)
 Flammability 94V-0
 Keying to Mating Part Yes
 Material - Metal Copper Alloy
 Material - Plating Mating Gold
 Material - Plating Termination Tin
 Material - Resin High Temperature Thermoplastic
 PCB Locator Yes
 PCB Retention Yes
 PCB Thickness Recommended (in) 0.062 In
 PCB Thickness Recommended (mm) 1.57 mm
 Packaging Type Tray
 Pitch - Mating Interface (in) 0.024 In
 Pitch - Mating Interface (mm) 0.60 mm
 Plating min: Mating (µin) 30
 Plating min: Mating (µm) 0.76
 Plating min: Termination (µin) 100
 Plating min: Termination (µm) 2.54
 Temperature Range - Operating -55°C to +85°C
 Termination Interface: Style Surface Mount

Electrical

Current - Maximum per Contact 1A
 Voltage - Maximum 30V
 Voltage Key 2.5V

Solder Process Data

Duration at Max. Process Temperature (seconds) 10
 Lead-free Process Capability SMC & Wave Capable (TH only)
 Max. Cycles at Max. Process Temperature 2
 Process Temperature max. C 260

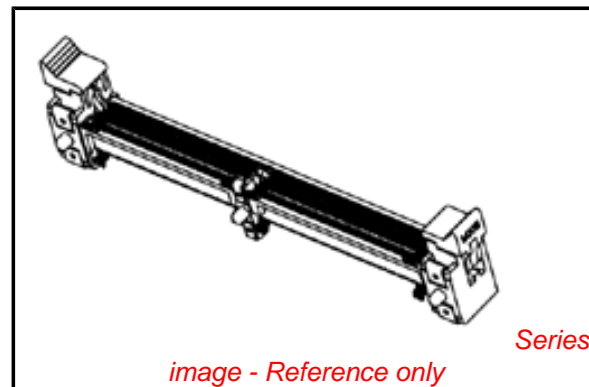


image - Reference only

EU RoHS

**ELV and RoHS
 Compliant**
REACH SVHC
 Not Reviewed
**Halogen-Free
 Status**
 Not Reviewed

China RoHS



**Need more information on product
 environmental compliance?**

Email productcompliance@molex.com
 For a multiple part number RoHS Certificate of Compliance, [click here](#)

Please visit the [Contact Us](#) section for any non-product compliance questions.

Search Parts in this Series

[87918Series](#)

Mates With

JEDEC MO-258 modules

Material Info

Reference - Drawing Numbers

Product Specification

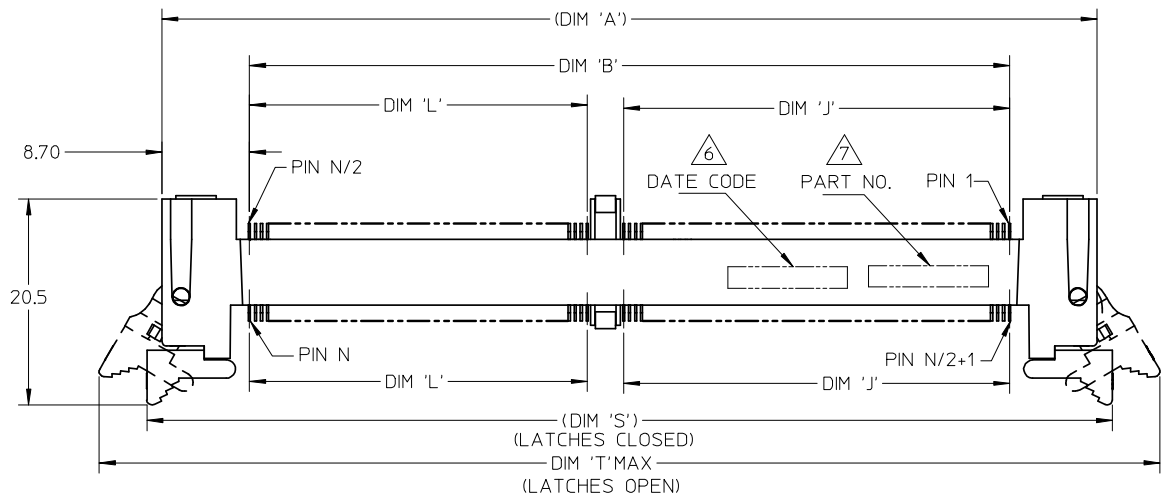
PS-87918-001

Sales Drawing

SD-87918-001

This document was generated on 04/13/2010

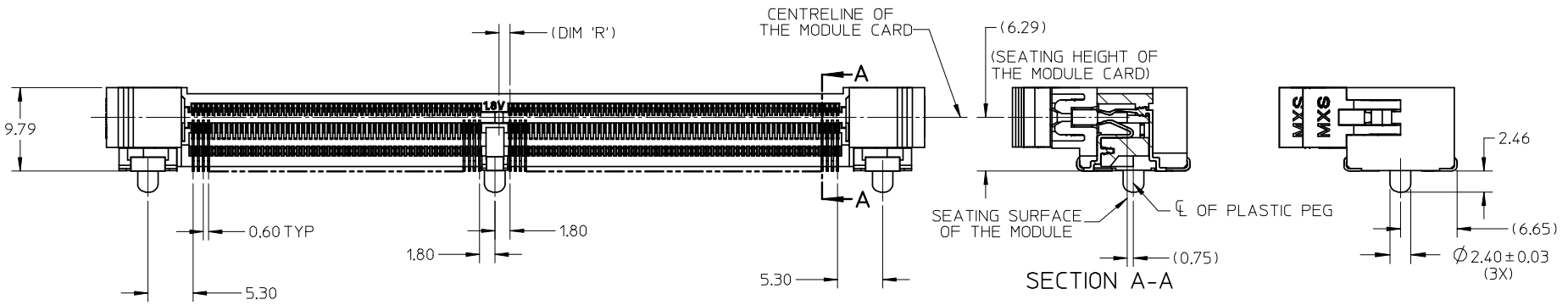
PLEASE CHECK WWW.MOLEX.COM FOR LATEST PART INFORMATION



NOTES :

- 1) MATERIAL :
HOUSING : HIGH TEMPERATURE LIQUID CRYSTAL POLYMER, UL94V-0
COLOUR : BLACK
CONTACTS : COPPER ALLOY
LATCHES : HIGH TEMPERATURE NYLON, UL94V-0
COLOUR : NATURAL (OFF-WHITE)
- 2) FINISH :
CONTACT AREA : 0.76 MICROMETER (30 MICROINCH) MIN GOLD OVER
1.25 MICROMETER (50 MICROINCH) MIN NICKEL
SOLDER LEADS : 2.54 MICROMETER (100 MICROINCH) MIN TIN OVER
1.25 MICROMETER (50 MICROINCH) MIN NICKEL
- 3) ACCEPTS 1.0 mm THICK MEMORY MODULE PER JEDEC MO-244
FOR 244 CKTS AND MO-258 FOR 200 CKTS.
- 4) PRODUCT SPECIFICATION : PS-87918-001
- 5) PRODUCT SHALL BE PACKED IN TRAY.

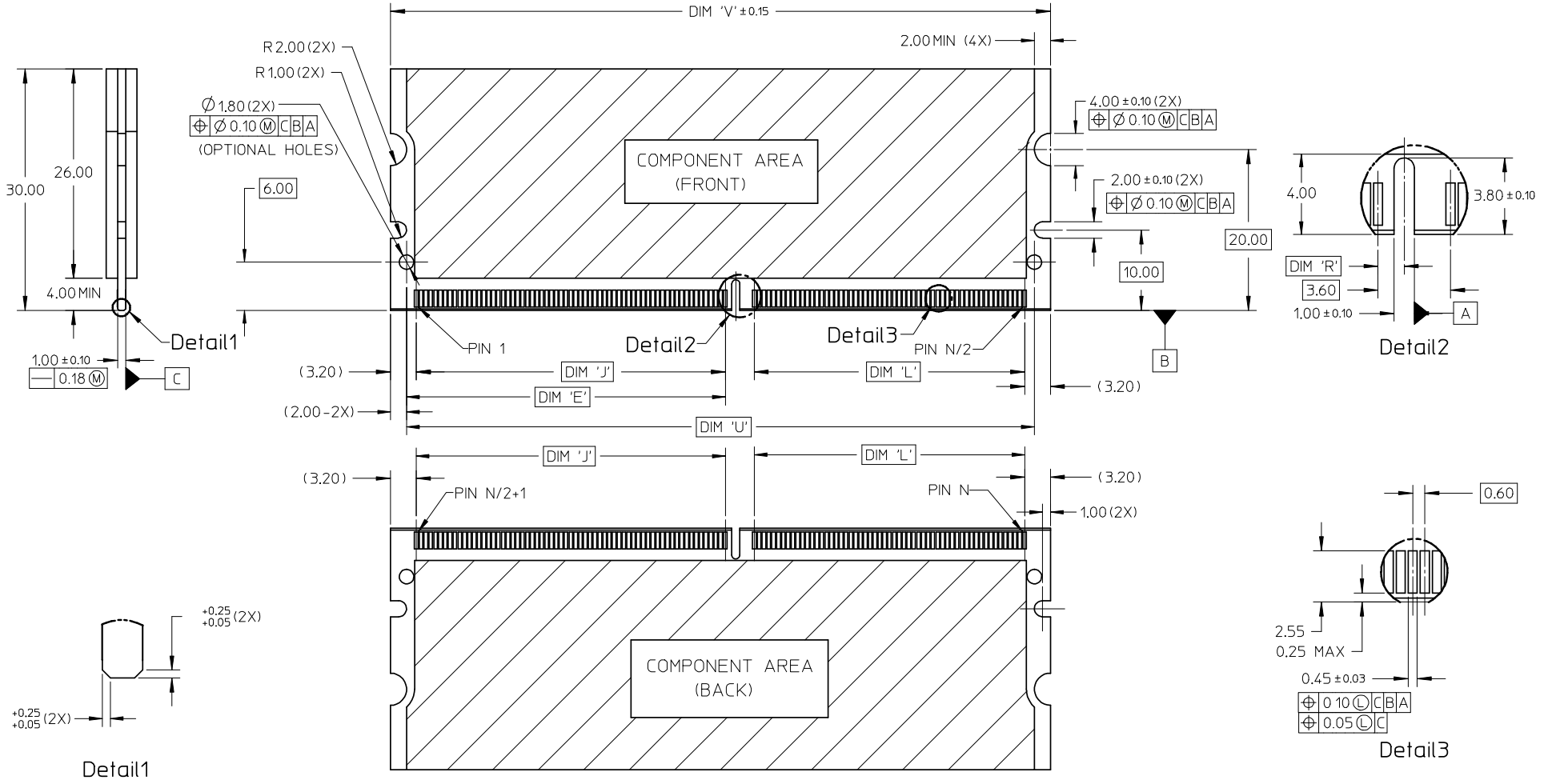
- 6) DATE CODE SHALL BE MARKED LEGIBLY AS SHOWN :YYDDD
7) PART NUMBER SHALL BE MARKED LEGIBLY AS SHOWN.
87918-XXXX(REFER TO TABLE)



ADD DDR3 OPTION IEC NO: S2008-1057 DRWN:CMTEO CHKD:CGTAN APPR:SHLENI	2008/06/20 2008/06/20 2008/06/23	QUALITY SYMBOLS ▽=0 ◻=0	GENERAL TOLERANCES (UNLESS SPECIFIED)		DIMENSION STYLE MM ONLY		SCALE NTS	DESIGN UNITS METRIC	THIRD ANGLE PROJECTION	
				mm	INCH	DRAWN BY EDMUND	DATE 2004/08/17	TITLE MINI DIMM, 0.60MM PITCH 244/200 CKTS STANDARD R/A		
			4 PLACES	± ---	± ---	CHECKED BY SRRAMESH	DATE 2005/01/25			
			3 PLACES	± ---	± ---	APPROVED BY GGLEE	DATE 2005/01/25			
			2 PLACES	± 0.13	± ---					
			1 PLACE	± 0.25	± ---					
			ANGULAR ± 1 °		MATERIAL NO. SEE TABLE		MOLEX INCORPORATED			
			DRAFT WHERE APPLICABLE MUST REMAIN WITHIN DIMENSIONS		SIZE A3		DOCUMENT NO. SD-87918-001	SHEET NO. 1 OF 4		

10 9 8 7 6 5 4 3 2 1

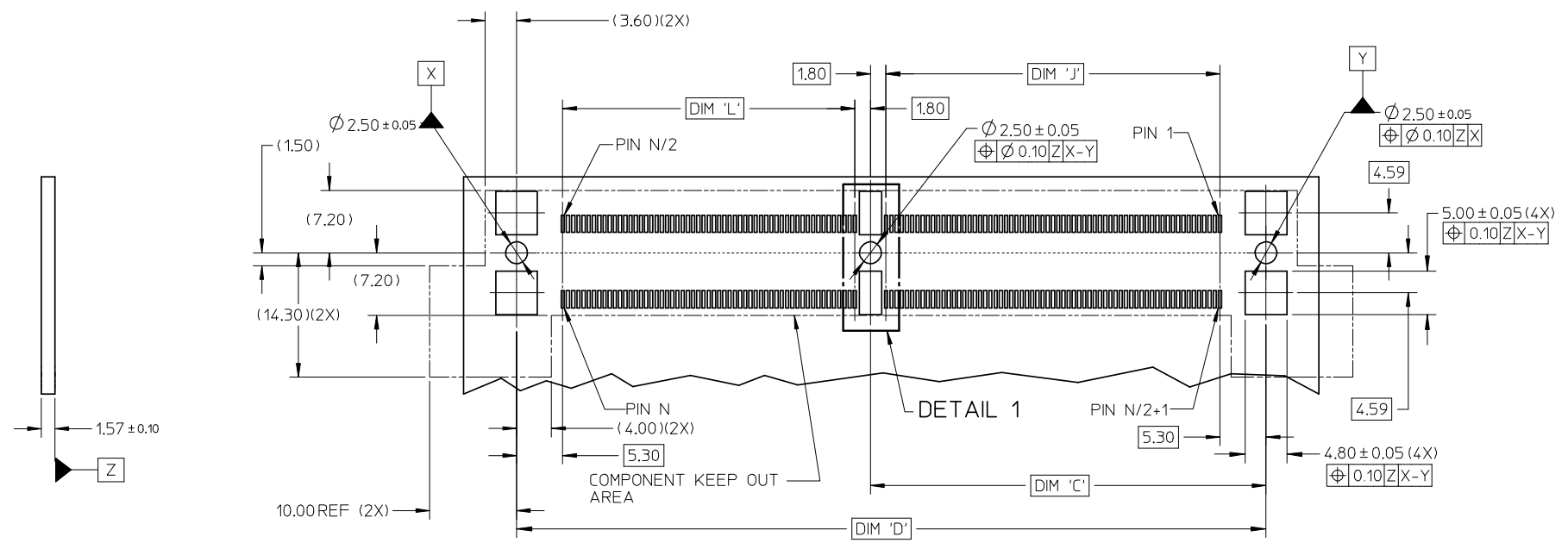
F
E
D
C
B
A



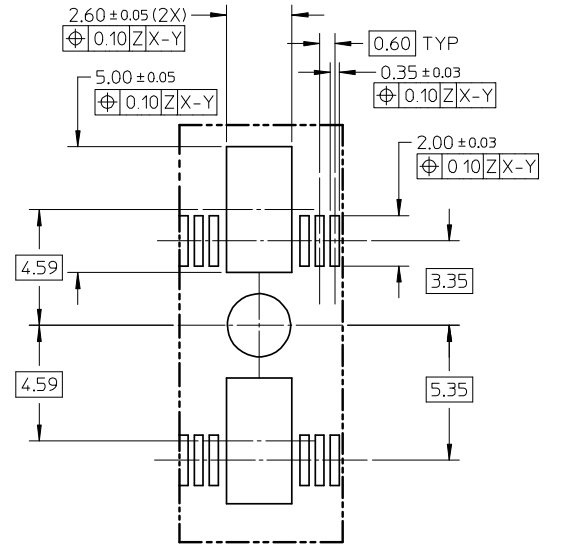
9 8 7 6 5 4 3 2 1

ADD DDR3 OPTION EC NO: S2008-1057 DRWN:CMTEO CHKD:CGTAN APPR:SHLENI	2008/06/20	2008/06/20	QUALITY SYMBOLS ▽=0 ◻=0	GENERAL TOLERANCES (UNLESS SPECIFIED)		DIMENSION STYLE MM ONLY		SCALE NTS	DESIGN UNITS METRIC	THIRD ANGLE PROJECTION		
	2008/06/20	2008/06/20		4 PLACES ± --- ± --- 3 PLACES ± --- ± --- 2 PLACES ± 0.13 ± --- 1 PLACE ± 0.25 ± ---	mm INCH --- --- 0.13 --- 0.25 ---	DRAWN BY EDMUND	DATE 2004/08/17	TITLE MINI DIMM, 0.60MM PITCH 244/200 CKTS STANDARD R/A				
	2008/06/23	2008/06/23		ANGULAR ± 1 °	DRAFT WHERE APPLICABLE MUST REMAIN WITHIN DIMENSIONS	CHECKED BY SRRAMESH	DATE 2005/01/25	MOLEX INCORPORATED				
	B2	REV		MATERIAL NO. SEE TABLE	APPROVED BY GGLEE	DATE 2005/01/25	DOCUMENT NO. SD-87918-001	SHEET NO. 2 OF 4				

THIS DRAWING CONTAINS INFORMATION THAT IS PROPRIETARY TO MOLEX INCORPORATED AND SHOULD NOT BE USED WITHOUT WRITTEN PERMISSION



RECOMMENDED PCB LAYOUT

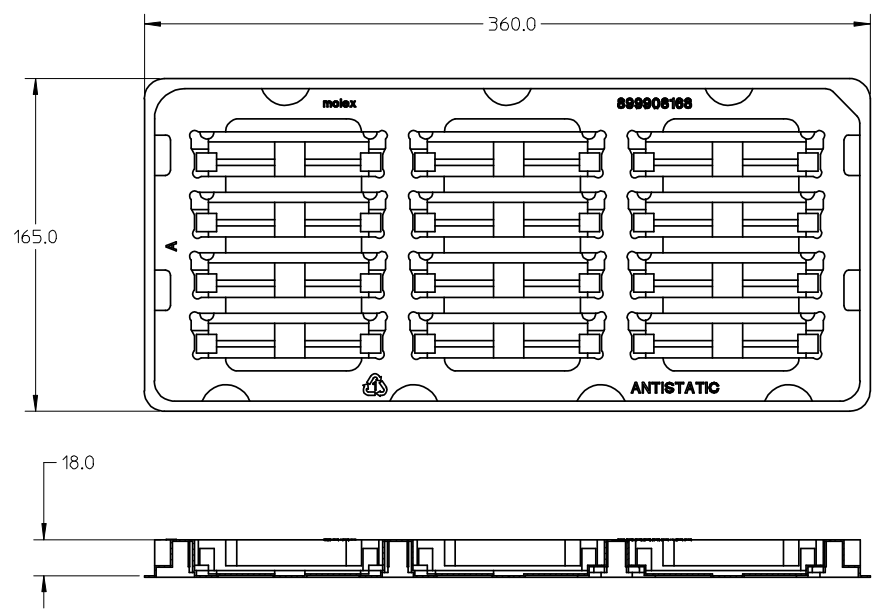


DETAIL 1

ADD DDR3 OPTION EC NO: S2008-1057 DRWN:CMTEO 2008/06/20 CHKD:CGTAN 2008/06/20 APPR:SHLENI 2008/06/23	QUALITY SYMBOLS ▽=0 ◻=0	GENERAL TOLERANCES (UNLESS SPECIFIED) mm INCH 4 PLACES ± --- ± --- 3 PLACES ± --- ± --- 2 PLACES ± 0.13 ± --- 1 PLACE ± 0.25 ± --- ANGULAR ± 1 °	DIMENSION STYLE MM ONLY DRAWN BY DATE EDMUND 2004/08/17 CHECKED BY DATE SRRAMESH 2005/01/25 APPROVED BY DATE GGLEE 2005/01/25	SCALE NTS DESIGN UNITS METRIC THIRD ANGLE PROJECTION	TITLE MINI DIMM, 0.60MM PITCH 244/200 CKTS STANDARD R/A
	DRAFT WHERE APPLICABLE MUST REMAIN WITHIN DIMENSIONS	MATERIAL NO. SEE TABLE	DOCUMENT NO. MOLEX INCORPORATED SD-87918-001	SHEET NO. 3 OF 4	
	SIZE A3	THIS DRAWING CONTAINS INFORMATION THAT IS PROPRIETARY TO MOLEX INCORPORATED AND SHOULD NOT BE USED WITHOUT WRITTEN PERMISSION			
	REV B2				

10 9 8 7 6 5 4 3 2 1

CKT_SIZE 'N'	PART NUMBER	MODULE CARD	VOLTAGE KEY	DIM 'R'	DIM 'E'	DIM 'J'	DIM 'L'	DIM 'A'	DIM 'S'	DIM 'T'	DIM 'U'	DIM 'V'	DIM 'C'	DIM 'D'	DIM 'B'
244	87918-0001	DDR2	1.8 V	1.30	39.60	38.40	33.60	93.0	96.0	106.2	78.00	82.00	45.50	86.20	75.60
	87918-0301	DDR3	1.5 V	2.30											
200	87918-0201	DDR2	1.8 V	1.30	24.60	23.40	35.40	79.8	82.8	93.0	64.80	68.80	30.50	73.00	62.40
	87918-0202	DDR	2.5 V	2.30											



VIEW OF PACKAGING TRAY

NOTES:
1. QTY OF CAVITY: 3 X 4 = 12 PCS

ADD DDR3 OPTION EC NO: S2008-1057 DRWN:CMTEO 2008/06/20 CHKD:CGTAN 2008/06/20 APPR:SHLENI 2008/06/23	DESCRIPTION REV	QUALITY SYMBOLS	GENERAL TOLERANCES (UNLESS SPECIFIED)	DIMENSION STYLE	SCALE	DESIGN UNITS	THIRD ANGLE PROJECTION	
		$\nabla=0$ $\square=0$	mm INCH 4 PLACES ± --- ± --- 3 PLACES ± --- ± --- 2 PLACES ± 0.13 ± --- 1 PLACE ± 0.25 ± --- ANGULAR ± 1 °	MM ONLY	NTS	METRIC		
			DRAFT WHERE APPLICABLE MUST REMAIN WITHIN DIMENSIONS	DRAWN BY: EDMUND DATE: 2004/08/17 CHECKED BY: SRRAMESH DATE: 2005/01/25 APPROVED BY: GGLEE DATE: 2005/01/25	TITLE: MINI DIMM, 0.60MM PITCH 244/200 CKTS STANDARD R/A			
		B2		SEE TABLE	MOLEX INCORPORATED SD-87918-001			SHEET NO. 4 OF 4

9 8 7 6 5 4 3 2 1