

**PLEASE CHECK WWW.MOLEX.COM FOR LATEST PART INFORMATION**

**Part Number:** [0781971001](#)  
**Status:** **Active**  
**Overview:** [projector lamp connector](#)  
**Description:** 5.40mm (.213") Pitch Projector Lamp Plug Housing, 2 Circuits, Lead free

**Documents:**

[3D Model](#) [Product Specification PS-78196-001 \(PDF\)](#)  
[Drawing \(PDF\)](#) [RoHS Certificate of Compliance \(PDF\)](#)

**Agency Certification**

CSA	LR19980
TUV	R72081037
UL	E29179

**General**

Product Family	Crimp Housings
Series	<a href="#">78197</a>
Overview	<a href="#">projector lamp connector</a>
Product Name	DLP*

**Physical**

Circuits (maximum)	2
Flammability	94V-0
Gender	Plug
Glow-Wire Compliant	No
Number of Rows	1
Packaging Type	Bag
Panel Mount	No
Pitch - Mating Interface (in)	0.213 In
Pitch - Mating Interface (mm)	5.40 mm
Polarized to Mating Part	Yes
Stackable	No
Temperature Range - Operating	-20°C TO +150°C

**Electrical**

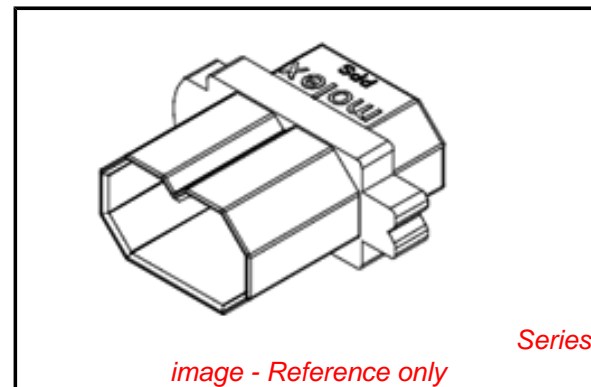
Current - Maximum per Contact	7A
-------------------------------	----

**Material Info**

**Reference - Drawing Numbers**

Product Specification	PS-78196-001
Sales Drawing	SD-78197-002

\* DLP is a registered trademark of Texas Instruments Incorporated



**EU RoHS**

**ELV and RoHS Compliant**  
**REACH SVHC**  
 Not Reviewed  
**Halogen-Free Status**  
 Not Reviewed

**China RoHS**



**Need more information on product environmental compliance?**

Email [productcompliance@molex.com](mailto:productcompliance@molex.com)  
 For a multiple part number RoHS Certificate of Compliance, [click here](#)

Please visit the [Contact Us](#) section for any non-product compliance questions.

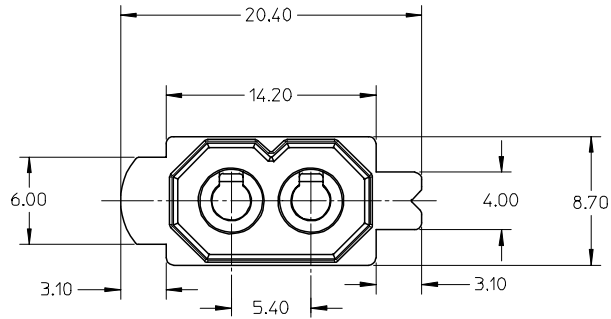
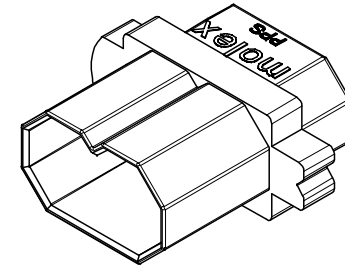
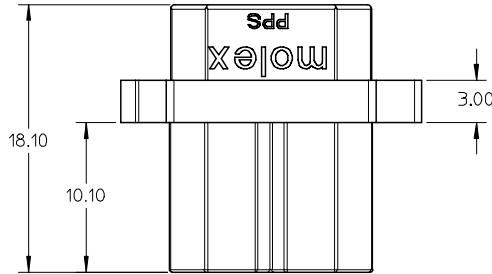
**Search Parts in this Series**

[78197Series](#)

**Mates With**

[781961001 Receptacle Housing](#)

10 9 8 7 6 5 4 3 2 1



NOTES:

1. MATERIAL: PPS GLASS/MINERAL FILLED, UL94V-0, COLOR: BLACK
2. MATE WITH 78196 SERIES.
3. TERMINAL TO BE USED : P/N 78037-2005.
4. PACKAGING INFORMATION : BULK PACKAGING IN POLYBAG.
5. PRODUCT SPECIFICATION ; PS-78196-001

NEW RELEASE	EC NO: S2007-0942	2007/05/09
	DRWN: BOKOK	2007/05/09
	CHKD: CGTAN	2007/05/09
	APPR: KCLING	2007/05/09

REV	DESCRIPTION

QUALITY SYMBOLS	GENERAL TOLERANCES (UNLESS SPECIFIED)	
	mm	INCH
▽=0	4 PLACES ± ---	± ---
▽C=0	3 PLACES ± ---	± ---
	2 PLACES ± 0.3	± ---
	1 PLACE ± 0.5	± ---
	ANGULAR ± 3 °	
	DRAFT WHERE APPLICABLE MUST REMAIN WITHIN DIMENSIONS	

DIMENSION STYLE	
MM ONLY	
DRAWN BY	DATE
BOKOK	2007/05/02
CHECKED BY	DATE
CGTAN	2007/05/08
APPROVED BY	DATE
KCLING	2007/05/09
MATERIAL NO.	78197-1001
SIZE	A3

SCALE	DESIGN UNITS	THIRD ANGLE PROJECTION
NTS	METRIC	
TITLE		
PROJECTOR LAMP CONNECTOR 5.4MM PITCH, PLUG HOUSING		
MOLEX INCORPORATED		
MATERIAL NO.	DOCUMENT NO.	SHEET NO.
78197-1001	SD-78197-002	1 OF 1
THIS DRAWING CONTAINS INFORMATION THAT IS PROPRIETARY TO MOLEX INCORPORATED AND SHOULD NOT BE USED WITHOUT WRITTEN PERMISSION		

9 8 7 6 5 4 3 2 1