

PLEASE CHECK WWW.MOLEX.COM FOR LATEST PART INFORMATION

Part Number: [0354216902](#)
Status: **Active**
Description: Tab Crimp Terminal 35421, AVSS 2f

Documents:

[Drawing \(PDF\)](#) [Product Specification PS-35385-001 \(PDF\)](#)
[Product Specification PS-35282-001 \(PDF\)](#) [RoHS Certificate of Compliance \(PDF\)](#)

General

Product Family Crimp Terminals
 Series [35421](#)
 Crimp Quality Equipment Yes
 Product Name N/A

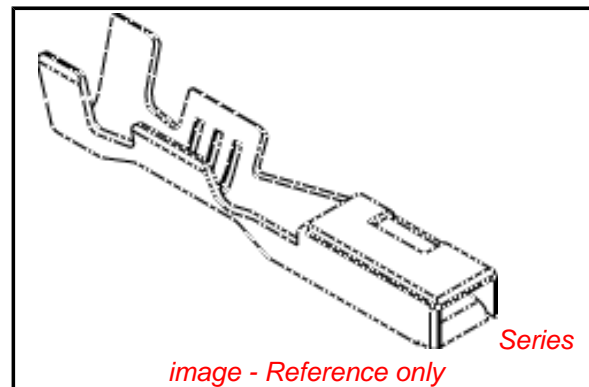
Physical

Gender Female
 Material - Metal High Performance Alloy (HPA)
 Material - Plating Mating Tin
 Material - Plating Termination Tin
 Packaging Type Reel
 Plating min: Mating (µin) 32.00
 Plating min: Mating (µm) 0.800
 Plating min: Termination (µin) 32.00
 Plating min: Termination (µm) 0.80
 Termination Interface: Style Crimp or Compression
 Wire Insulation Diameter 2.80mm (.110") max.
 Wire Size AWG 14
 Wire Size mm² N/A

Material Info

Reference - Drawing Numbers

Product Specification PS-35282-001, PS-35385-001
 Sales Drawing SD-35421-001, SD-35421-6*02



EU RoHS

**ELV and RoHS
 Compliant**
**REACH SVHC
 Contains SVHC: No**
**Halogen-Free
 Status**

China RoHS



**Need more information on product
 environmental compliance?**

Email productcompliance@molex.com
 For a multiple part number RoHS Certificate of
 Compliance, [click here](#)

Please visit the [Contact Us](#) section for any
 non-product compliance questions.

Search Parts in this Series
[35421Series](#)

Mates With
[35420](#)

Use With
[35378](#) , [35374](#)

DO NOT SCALE DRAWING
DIMENSION IN METRIC

B

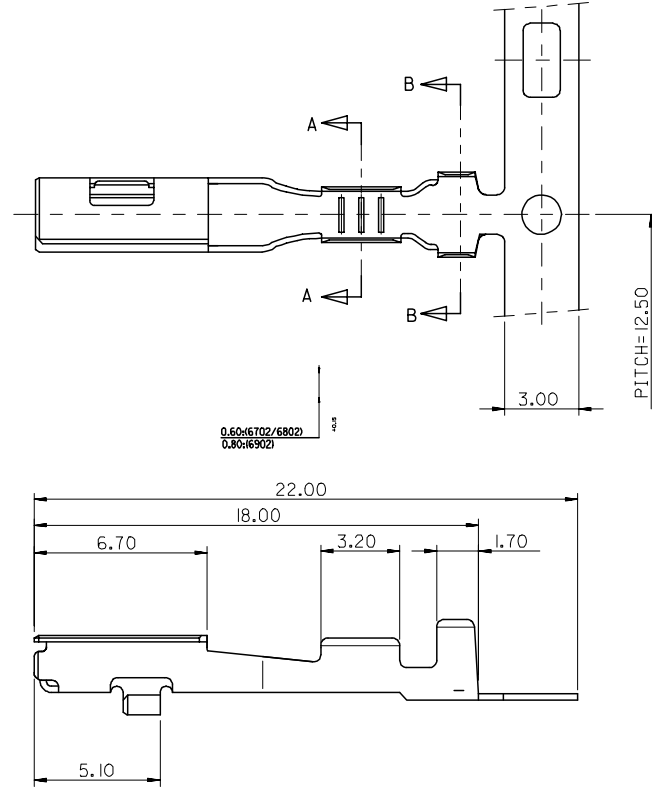
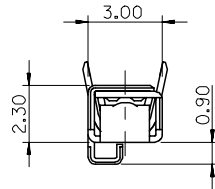
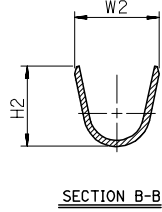
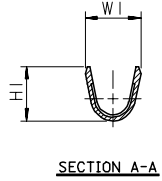
C

PROJECT NO.

SIMILAR ITEM

DWG. IO.
SD-3542I-001

ENG.NO	DESCRIPTION	DIMENSION				WIRE RANGE mm ²
		W1	H1	W2	H2	
3542I-6702	UNICONN FEMALE TERMINAL (S)	2.1	2.2	3.4	3.25	AVS(CAVS) 0.3,0.5
3542I-6802	UNICONN FEMALE TERMINAL (M)	2.6	2.95	4.0	3.8	AVS(CAVS) 0.5,0.85,1.25
3542I-6902	UNICONN FEMALE TERMINAL (L)	3.6	4.0	4.3	3.9	AVSS 2f



NOTE
 1. MATERIAL : COPPER ALLOY, ± 0.25 .
 2. FINISH : PRE-TIN PLATE.
 3. INSERTION-EXTRACTION FORCE WITH TAB TERMINAL P/N 35420.
 INSERTION FORCE : 0.30 ± 1.0 Kgf.
 AFTER SIX TIMES OF INSERTION & EXTRACTION FORCE : 0.15 ± 1.0 Kgf.

REVISED
 EC NO. KOR2005-0169
 DRWN: S.M.KIM 05/02/28
 CHK: B.C.YOON 05/02/28
 APPR: C.W.LEE

DESCRIPTION
 REV

QUALITY SYMBOLS
 MAJOR =
 CRITICAL =

GENERAL TOLERANCES:
(UNLESS SPECIFIED)

	mm	INCH
4 PLACES	$\pm 0.$	\pm
3 PLACES	$\pm 0.$	\pm
2 PLACES	$\pm 0.$	\pm
1 PLACE	± 0.3	\pm

ANGULAR: \pm | °
 DRAFT WHERE APPLICABLE MUST
 REMAIN WITHIN DIMENSIONS

SCALE
 5:1

DESIGN UNITS
 mm INCH

DRAWN BY & DATE
 Y.SIK.KIM 97/12/03
 CHECKED BY & DATE
 B.K.CHOI 97/12/03
 APPROVED BY & DATE
 C.W.LEE 97/12/03

CAD FILENAME
 SD3542I.DGN

THIRD ANGLE
 PROJECTION

TITLE:
 UNICONN FEMALE TERMINAL
 MOLEX INCORPORATED

MATERIAL NO. SEE TABLE
 DRAWING NO. SD-3542I-001
 SHEET NO. 10F1

THIS DRAWING CONTAINS INFORMATION THAT IS PROPRIETARY TO MOLEX INCORPORATED AND SHOULD NOT BE USED WITHOUT WRITTEN PERMISSION.

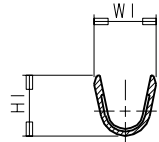
MX-A3

ENG. NO.

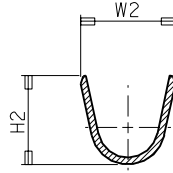
EDP NO.

SIMILAR ITEM

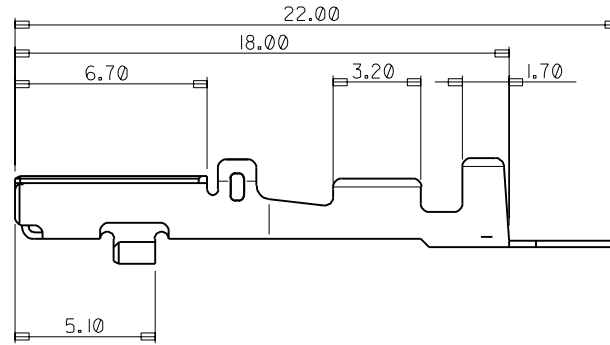
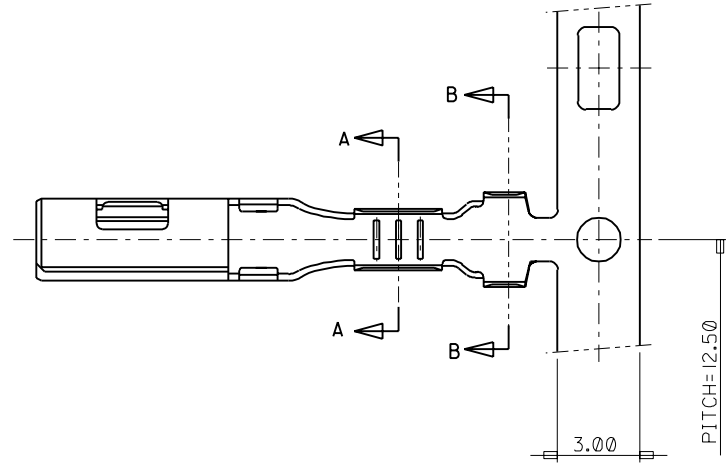
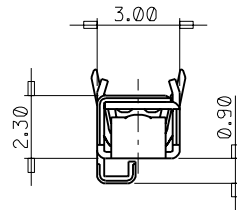
PROJECT NO.



SECTION A-A



SECTION B-B



ENG.NO	DESCRIPTION	DIMENSION				WIRE RANGE mm ²
		W1	H1	W2	H2	
35421-6702	UNICONN FEMALE TERMINAL (S)	2.1	2.2	3.4	3.25	AVS(CAVS) 0.3,0.5
35421-6802	UNICONN FEMALE TERMINAL (M)	2.6	2.95	4.0	3.8	AVS(CAVS) 0.5,0.85,1.25
35421-6902	UNICONN FEMALE TERMINAL (L)	3.6	4.0	4.3	3.9	AVSS 2f

				MATERIAL PRE-TIN PLATED COPPER ALLOY 0.25t		MOLEX-KOREA CO.,LTD.	
				GENERAL TOLERANCE DIMENSION : +0.30 ANGLE :			
				DIMENSION CLASSIFICATION ▽ : CRITICAL ▼ : MAJOR () : REFERENCE		APP'D BY	SCALE 6:1
A	NEW RELEASE	KOR 97-0162	97.12.03	ASS'Y PART		TITLE: UNICONN	
LTR	REVISION RECORD	ECN	DATE	DESCRIPTION/ ENG. NO.		FEMALE TERMINAL	
REVISE ONLY ON CAD SYSTEM						ENG. NO. SD 35421-6-02	SHEET 1/1 REV A