

**PLEASE CHECK WWW.MOLEX.COM FOR LATEST PART INFORMATION**

**Part Number:** [0679260840](#)  
**Status:** **Active**  
**Overview:** serial ata power connector  
**Description:** Cover for Serial ATA IDT Power Receptacle, Feed To Type, 5 Circuits, Black, Halogen-free

**Documents:**

[Drawing \(PDF\)](#) [RoHS Certificate of Compliance \(PDF\)](#)

**General**

|                |  |
|----------------|--|
| Product Family | Accessories                                |
| Series         | <a href="#">67926</a>                      |
| Comments       | Halogen Free                               |
| Component Type | Actuator, Cover                            |
| Overview       | <a href="#">serial ata power connector</a> |
| Product Name   | Serial ATA                                 |

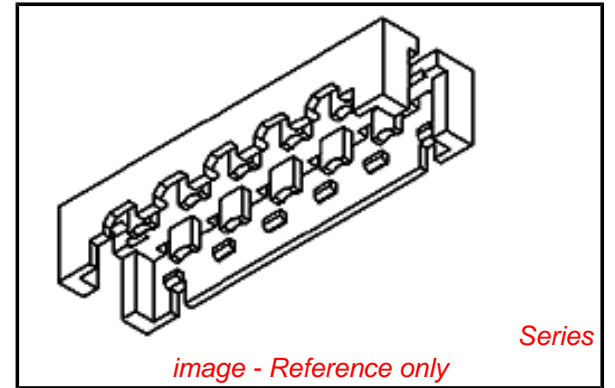
**Physical**

|                              |               |
|------------------------------|---------------|
| Circuits (Loaded)            | 5             |
| Color - Resin                | Black         |
| Material - Resin             | Polyester     |
| Number of Rows               | 2             |
| Packaging Type               | Bag           |
| Polarized to Mating Part     | Yes           |
| Termination Interface: Style | IDT or Pierce |

**Material Info**

**Reference - Drawing Numbers**

|               |              |
|---------------|--------------|
| Sales Drawing | SD-67926-003 |
|---------------|--------------|



*image - Reference only*

**EU RoHS**

**ELV and RoHS  
Compliant**  
**REACH SVHC  
Not Reviewed**  
**Halogen-Free  
Status  
Not Reviewed**

**China RoHS**



**Need more information on product  
environmental compliance?**

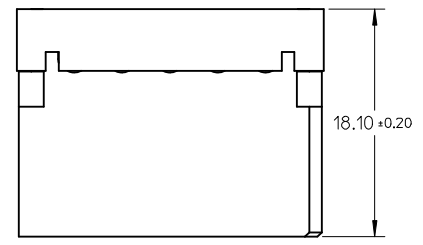
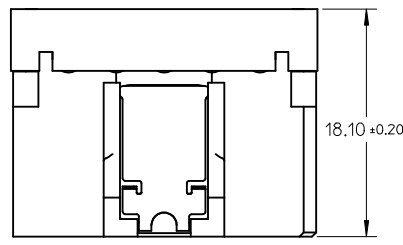
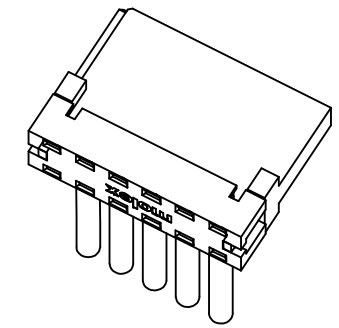
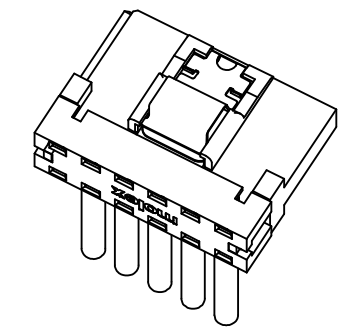
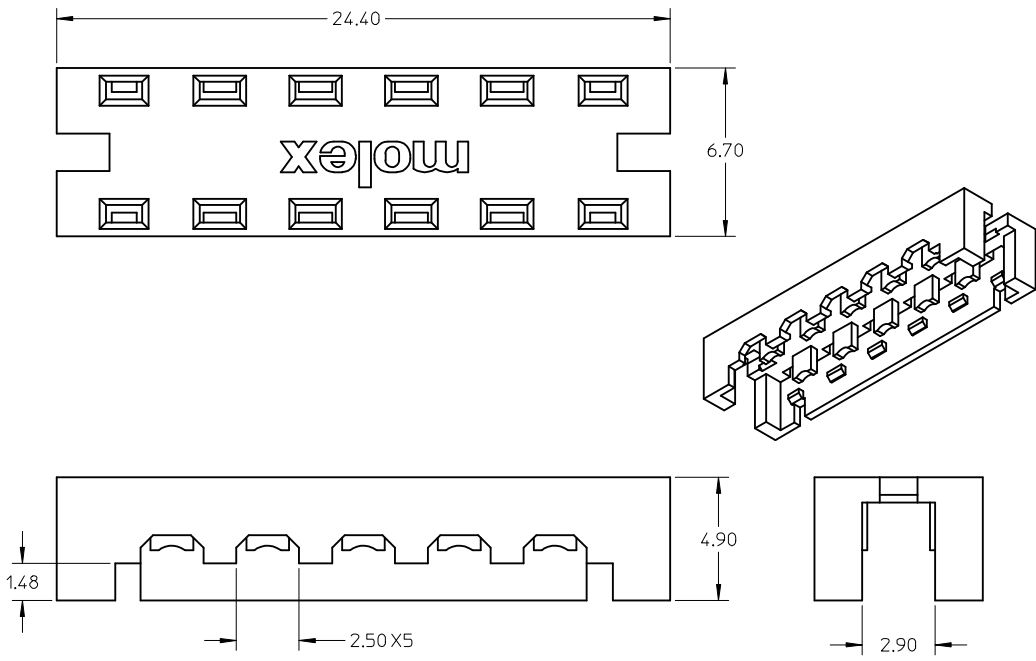
Email [productcompliance@molex.com](mailto:productcompliance@molex.com)  
 For a multiple part number RoHS Certificate of Compliance, [click here](#)

Please visit the [Contact Us](#) section for any non-product compliance questions.

**Search Parts in this Series**  
[67926Series](#)

**Use With**  
[67926 IDT Power Receptacles](#)

10 9 8 7 6 5 4 3 2 1



APPLICATION FOR WITH LATCH TYPE

APPLICATION FOR WITHOUT LATCH TYPE

- NOTE**
- 1 MATERIAL: THERMAL PLASTIC, COLOR: BLACK UL94V-0.
  - 2 THIS COVER IS FEED TO TYPE, IT IS AVAILABLE FOR 67926-000\*/002\*(WITH LATCH), 67926-001\*(WITHOUT LATCH).
  - 3 PACKAGE SPEC:
    - 3.1 1000 PCS IN ONE BAG.
    - 3.2 3000 PCS(3 PAGES) IN ONE INNER CARTON.
    - 3.3 12,000 PCS(4 INNER CARTONS) IN ONE OUTER CARTON.

| P/N        | REMARK           |
|------------|------------------|
| 67926-0040 | NON HALOGEN-FREE |
| 67926-0840 | HALOGEN-FREE     |

|   |                               |   |        |                 |              |              |   |
|---|-------------------------------|---|--------|-----------------|--------------|--------------|---|
| ADD PART NUMBER<br>EC NO: SH2009-0536<br>TDRW: XJ SONG 2009/05/05<br>CHKD: XJ SONG 2009/06/19<br>APPR: HWANG 2009/06/23 | QUALITY SYMBOLS<br>▽=0<br>▽=0 | GENERAL TOLERANCES (UNLESS SPECIFIED)   |        | DIMENSION STYLE | SCALE        | DESIGN UNITS | THIRD ANGLE PROJECTION  |
|   |                               |   |        | MM ONLY         | 5:1          | METRIC       |   |
|   |                               |   |        | DRAWN BY        | DATE         | TITLE        |   |
|   |                               |   |        | CHECKED BY      | DATE         |              |   |
|   |                               | 4 PLACES  | ± ---  | ± ---           | GRATE MA     | 2004/04/25   | FEED TO COVER FOR<br>SATA POWER CONNECTOR<br>IDT TYPE<br><br>MOLEX INCORPORATED |
|   |                               | 3 PLACES  | ± ---  | ± ---           | YA JUN       | 2004/04/25   |   |
|   |                               | 2 PLACES  | ± 0.15 | ± ---           | APPROVED BY  | DATE         |   |
|   |                               | 1 PLACE   | ± 0.25 | ± ---           | SAM          | 2004/04/25   |   |
|   |                               | ANGULAR ± 1 °   |        | MATERIAL NO.    | DOCUMENT NO. | SHEET NO.    |   |
|   |                               | DRAFT WHERE APPLICABLE MUST REMAIN WITHIN DIMENSIONS  |        | SEE TABLE       | SD-67926-003 | 1 OF 1       |   |
|   |                               | THIS DRAWING CONTAINS INFORMATION THAT IS PROPRIETARY TO MOLEX INCORPORATED AND SHOULD NOT BE USED WITHOUT WRITTEN PERMISSION |        |                 |              |              |   |

9 8 7 6 5 4 3 2 1