

PLEASE CHECK WWW.MOLEX.COM FOR LATEST PART INFORMATION

Part Number: [0496231290](#)
Status: **Active**
Description: 4.20mm (.165") Wire-to-Wire TPA™ Connector for Male Housing, 12 Circuits, UL94V-2, White

Documents:

[Drawing \(PDF\)](#) [RoHS Certificate of Compliance \(PDF\)](#)
[Product Specification PS-49623-001 \(PDF\)](#)

Agency Certification

UL E29179

General

Product Family Crimp Housings
 Series [49623](#)
 Product Name N/A

Physical

Circuits (maximum) 12
 Circuits Detail 12
 Color - Resin White
 Flammability 94V-2
 Gender Male
 Glow-Wire Compliant No
 Keying to Mating Part None
 Lock to Mating Part Yes
 Material - Resin Nylon
 Number of Rows 2
 Packaging Type Bag
 Panel Mount Yes
 Pitch - Mating Interface (in) 0.165 In
 Pitch - Mating Interface (mm) 4.20 mm
 Polarized to Mating Part Yes
 Stackable No
 Temperature Range - Operating -40°C to +105°C

Electrical

Current - Maximum per Contact 6A

Material Info

Reference - Drawing Numbers

Product Specification PS-49623-001
 Sales Drawing SD-49623-001

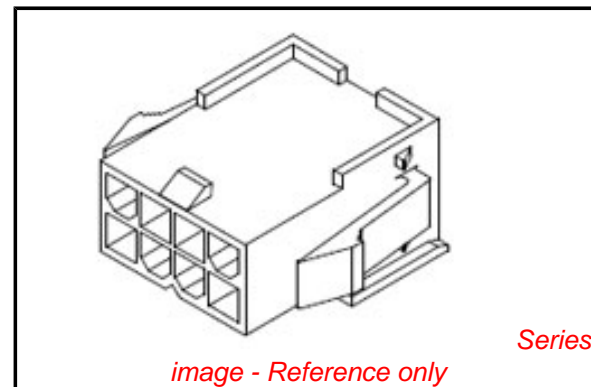


image - Reference only

EU RoHS

ELV and RoHS Compliant
REACH SVHC
Contains SVHC: No
Halogen-Free Status

China RoHS



Need more information on product environmental compliance?

Email productcompliance@molex.com
 For a multiple part number RoHS Certificate of Compliance, [click here](#)

Please visit the [Contact Us](#) section for any non-product compliance questions.

Search Parts in this Series

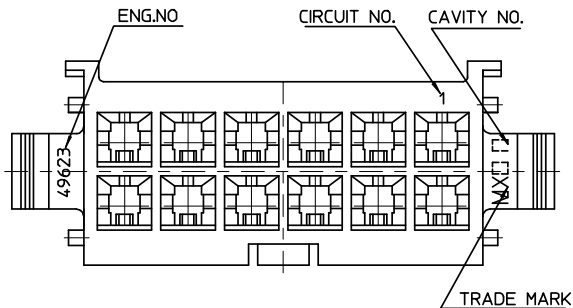
[49623Series](#)

Mates With

4.20mm (.165") Wire-to-Wire Female TPA™
[49624](#) , [49625](#) , [49626](#)

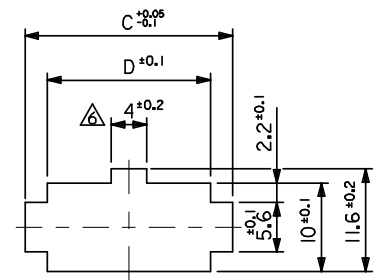
Use With

[5558](#) Mini-Fit® Crimp Terminal

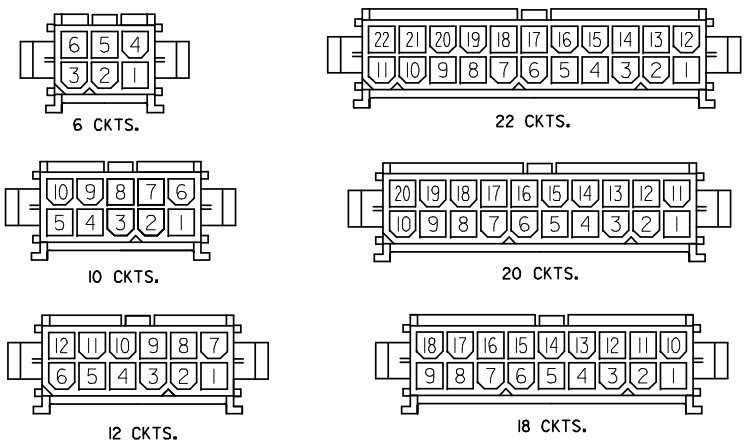
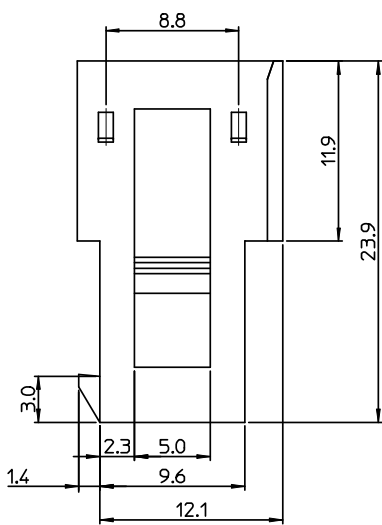
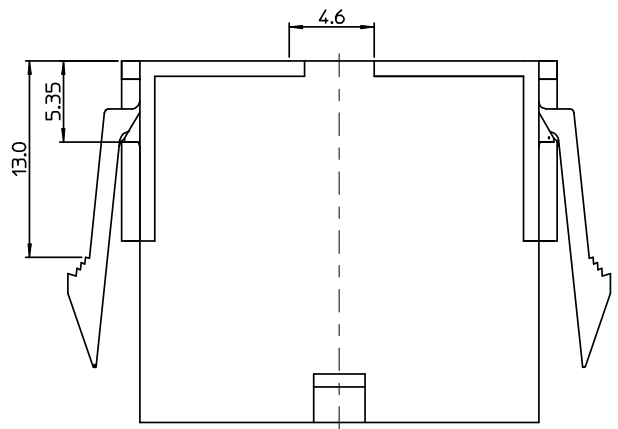
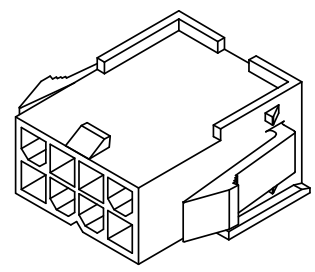


NOTES

- MATERIAL :
 - POLYAMID(PA66), UL94V-2, COLOR OF NATURAL
 - POLYAMID(PA66), UL94V-0, COLOR OF IVORY
- APPLICABLE TERMINAL · SERIES 5558 T2A, 5558 T
- MATE WITH : SERIES 49624, 49625, 49626
- PRODUCT SPECIFICATION · PS-49623-001
- PACKAGE SPECIFICATION : PK-49623-001
- PANEL HOLE TO BE PUNCHED OUT IN THE SAME DIRECTION AS INSERTION INTO THE PANEL



RECOMMENDED PANEL HOLE DIMENSION
(THICKNESS : 0.8-2.0mm)



CIRCUIT SIZE LAYOUT

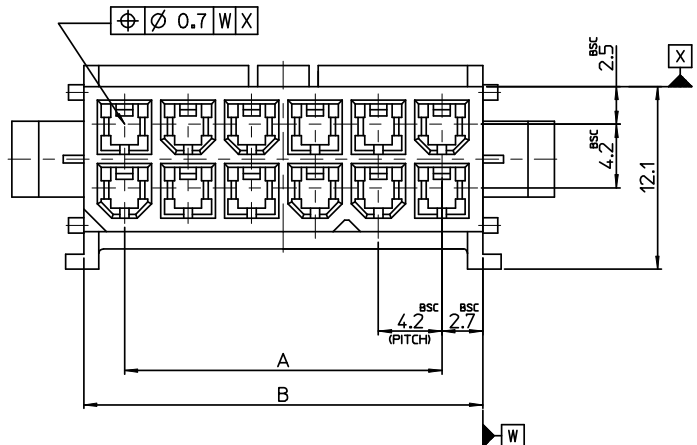


TABLE-1

49623-2295	496232295	49623-2290	496232290	22
49623-2095	496232095	49623-2090	496232090	20
49623-1895	496231895	49623-1890	496231890	18
49623-1295	496231295	49623-1290	496231290	12
49623-1095	496231095	49623-1090	496231090	10
49623-0695	496230695	49623-0690	496230690	06
ENG NO.	MATERIAL NO.	ENG NO.	MATERIAL NO.	CIRCUIT SIZE
POLYAMID(PA66), UL94V-0		POLYAMID(PA66), UL94V-2		

47.8	52.6	47.4	42	22
43.6	48.6	43.2	37.8	20
39.4	44.4	39	33.6	18
26.8	31.8	26.4	21	12
22.6	27.6	22.2	16.8	10
14.2	19.2	13.8	8.4	6
D	C	B	A	CIRCUIT

RELEASED EC NO: KOR2008-0134 DRAWN: SKHAN01 2008/02/27 CHKD: WY YANG 2008/02/29 APPR: YUNSIKKIM 2008/02/29	DESCRIPTION REV	QUALITY SYMBOLS $\nabla=0$ $\nabla=0$	GENERAL TOLERANCES (UNLESS SPECIFIED) mm INCH 4 PLACES \pm --- \pm --- 3 PLACES \pm --- \pm --- 2 PLACES ± 0.3 \pm --- 1 PLACE ± 0.3 \pm --- ANGULAR $\pm 3^\circ$	DIMENSION STYLE MM ONLY DRAWN BY DATE SK. HAN 2008/01/28 CHECKED BY DATE WY. YANG 2008/01/28 APPROVED BY DATE EH. JUNG 2008/01/28	SCALE 4:1 DESIGN UNITS METRIC THIRD ANGLE PROJECTION	TITLE 4.2MM W/W TPA CONN. FOR MALE HOUSING
		DRAFT WHERE APPLICABLE MUST REMAIN WITHIN DIMENSIONS	MATERIAL NO. SEE TABLE	MOLEX INCORPORATED DOCUMENT NO. SD-49623-001	SHEET NO. 1 OF 1	
		SIZE A2	THIS DRAWING CONTAINS INFORMATION THAT IS PROPRIETARY TO MOLEX INCORPORATED AND SHOULD NOT BE USED WITHOUT WRITTEN PERMISSION			