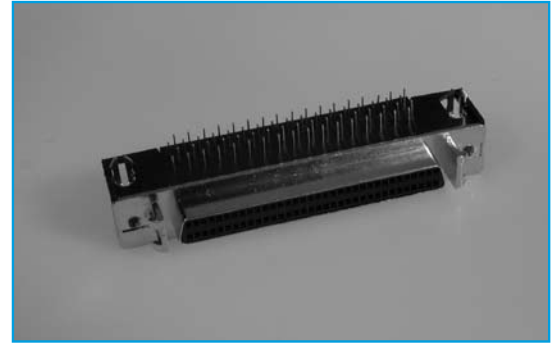


D TYPE SCSI II

- 20, 26, 28, 40, 50, 68, 80, or 100 ways available
- Low Cost
- Selective Gold Plated Contacts
- 1.27 Pitch

PCB SOLDER PIN RIGHT ANGLE



SPECIFICATION

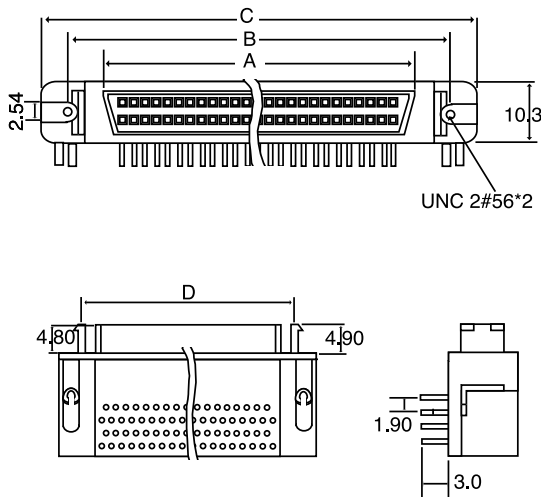
Material

Insulator: PBT & Glass fill reinforced UL94V-0
Pin Contacts: Phosphor Bronze
 Gold Plated over nickel
Shell: Zinc Alloy
 Nickel over copper plated

Electrical Data

Rated Current: 1 Amp
Insulation Resistance: 3000 mΩ min at 500v DC
Contact Resistance: 30mΩ Max
Dielectric withstanding Voltage: 500vac/1min
Operating Temperature: -55°C-+105°C

OUTLINE DRAWING



POSITION	A	B	C	D
20F	15.25	27.45	33.60	21.05
26F	19.06	31.26	37.41	24.86
28F	20.33	32.53	38.68	26.13
40F	27.95	40.15	46.30	33.75
50F	34.30	46.50	52.65	40.10
68F	45.73	57.93	64.80	51.53
80F	53.35	65.55	71.70	59.15
100F	66.05	78.25	84.40	71.85

SECTION 11

ORDERING INFORMATION

DBC	SC	F	SR	26	S	
Dubilier Connectors	Series	Contact Type	Contact Style	No of Ways	Contact Plating	Shell Option
	SC = SCSI -II D sub	F = Female	SR = Solder Right Angle	20 = 20ways 26 = 26ways 28 = 28ways 40 = 40ways 50 = 50ways 68 = 68ways 80 = 80ways 100 = 100ways	S = Selective Plating	Blank = Metal Shell P = Plastic