

PLEASE CHECK WWW.MOLEX.COM FOR LATEST PART INFORMATION

Part Number: [0357251410](#)
Status: **Active**
Description: 6.35mm (.250") Tab Slip-In Wire-to-Wire Terminal, Male, 14-18 AWG, Post-Tin Plated

Documents:

[Drawing \(PDF\)](#) [RoHS Certificate of Compliance \(PDF\)](#)
[Product Specification PS-35725-001 \(PDF\)](#)

General

Product Family	Crimp Terminals
Series	35725
Crimp Quality Equipment	Yes
Product Name	N/A

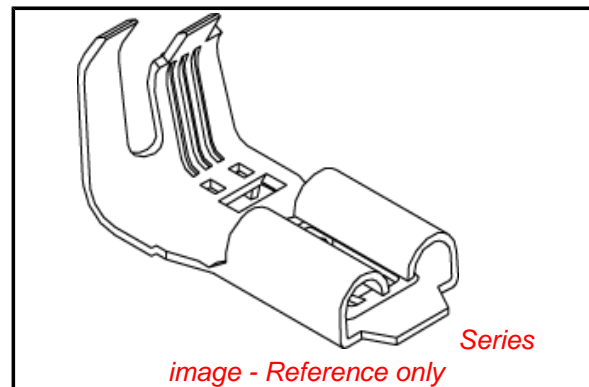
Physical

Gender	Male
Material - Metal	Brass
Material - Plating Mating	Tin
Material - Plating Termination	Tin
Packaging Type	Reel
Plating min: Mating (µin)	40
Plating min: Mating (µm)	1
Plating min: Termination (µin)	40
Plating min: Termination (µm)	1
Wire Insulation Diameter	3.60mm (.142") max.
Wire Size AWG	14, 16, 18
Wire Size mm ²	N/A

Material Info

Reference - Drawing Numbers

Product Specification	PS-35725-001
Sales Drawing	SD-35725-1**0



EU RoHS

**ELV and RoHS
Compliant**
**REACH SVHC
Contains SVHC: No
Halogen-Free
Status**

China RoHS



**Need more information on product
environmental compliance?**

Email productcompliance@molex.com
 For a multiple part number RoHS Certificate of Compliance, [click here](#)

Please visit the [Contact Us](#) section for any non-product compliance questions.

Search Parts in this Series
[35725Series](#)

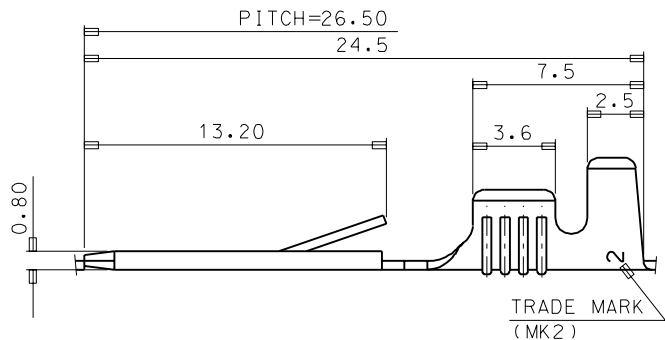
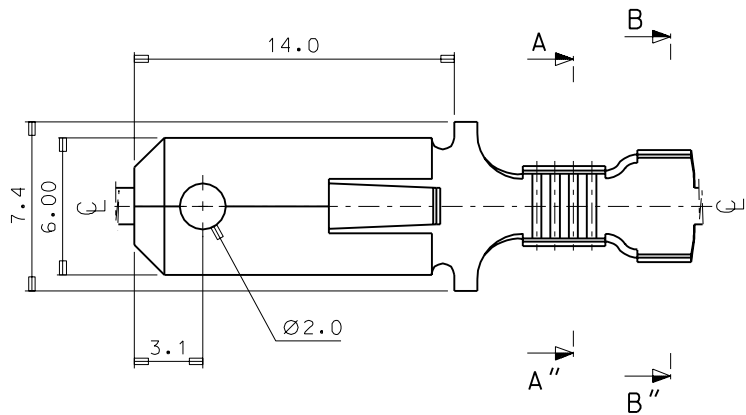
Mates With
[35725-33xx|35725-34xx|35725-35xx|](#)
[35725-53**](#)

ENG. NO
SD 35725-14*0/15*0

EDP NO.

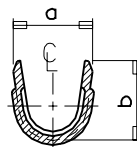
SIMILAR ITEM

PROJECT NO.

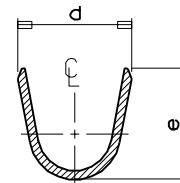


NOTES

1. FINISH: UNPLATED(35725-1400/1500)
POST-TIN PLATED(35725-1410/1510)
2. MATING RECEPTACLE TERMINALS: 35725-33*0/34*0/35*0
3. RECOMMENDED LENGTH OF WIRE STRIP IS 4.8-5.3



SECTION A-A"



SECTION B-B"

ENG'G NO	a	b	d	e	WIRE RANGE
35725-14*0	3.5	3.5	4.9	4.9	AWG #18-#14
35725-15*0	3.9	4.9	5.4	5.6	AWG #14-#10

WIRE RANGE SEE TABLE					MATERIAL BRASS 0.39mm THICKNESS	MOLEX-KOREA CO.,LTD.	
INSULATION RANGE ---	B	REVISED	96-116	96 10.16	GENERAL TOLERANCE DIMENSION : ±0.30		
DIE FEED: ---	A	CAD DRAWING	93-016	93 7.5	DIMENSION CLASSIFICATION ▽ : CRITICAL ▼ : MAJOR () : REFERENCE	APP'D BY	SCALE 5/1
APPLICATOR FEED: 26.5	LTR	REVISION RECORD	ECN	DATE	ASS'Y PART DESCRIPTION	TITLE: .250 SLIP-IN TAB	
O'TY/ REEL OR PACK 4,000 O'TY/REEL	REVISE ONLY ON CAD SYSTEM				ENG. NO. SD 35725-14*0/15*0	SHEET 1 of 1	
							REV B