

**PLEASE CHECK WWW.MOLEX.COM FOR LATEST PART INFORMATION**

**Part Number:** [0006023031](#)  
**Status:** **Active**  
**Overview:** [flat blade](#)  
**Description:** Flat Blade Micro Switch Crimp Housing, 3 Circuit

**Documents:**

[3D Model](#) [RoHS Certificate of Compliance \(PDF\)](#)  
[Drawing \(PDF\)](#)

**Agency Certification**

CSA LR19980  
 UL E29179

**General**

Product Family Crimp Housings  
 Series [2191](#)  
 Overview [flat blade](#)  
 Product Name Flat Blade

**Physical**

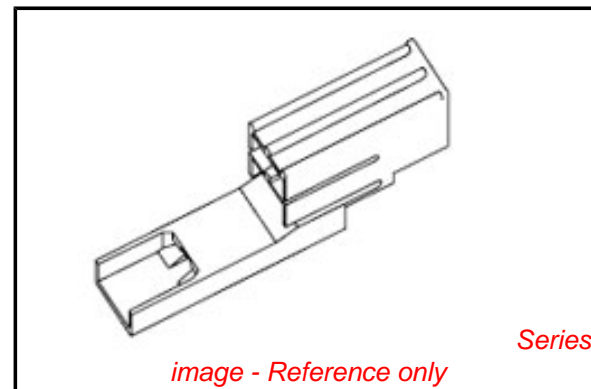
Circuits (maximum) 3  
 Color - Resin Natural  
 Flammability 94V-2  
 Gender Female  
 Glow-Wire Compliant No  
 Keying to Mating Part Yes  
 Lock to Mating Part None  
 Material - Resin Nylon  
 Number of Rows 1  
 Packaging Type Bag  
 Panel Mount No  
 Pitch - Mating Interface (in) 0.221 In, 0.295 In  
 Pitch - Mating Interface (mm) 5.61 mm, 7.49 mm  
 Pitch - Term. Interface (in) 0.221 In, 0.295 In  
 Pitch - Term. Interface (mm) 5.61 mm, 7.49 mm  
 Stackable No  
 Temperature Range - Operating -30°C to +105°C

**Material Info**

Old Part Number 2191

**Reference - Drawing Numbers**

Sales Drawing SD-2191-\*



*image - Reference only*

**EU RoHS**

**ELV and RoHS Compliant**  
**REACH SVHC Contains SVHC: No**  
**Halogen-Free Status**  
**Not Reviewed**

**China RoHS**



**Need more information on product environmental compliance?**

Email [productcompliance@molex.com](mailto:productcompliance@molex.com)  
 For a multiple part number RoHS Certificate of Compliance, [click here](#)

Please visit the [Contact Us](#) section for any non-product compliance questions.

**Search Parts in this Series**

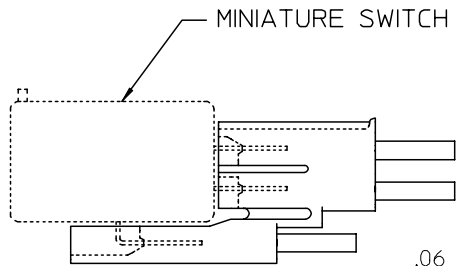
[2191Series](#)

**Mates With**

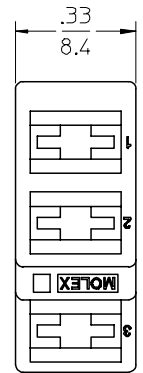
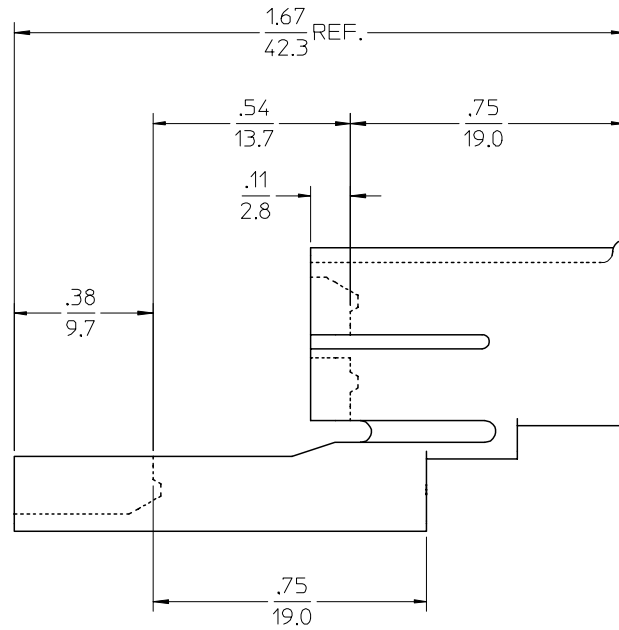
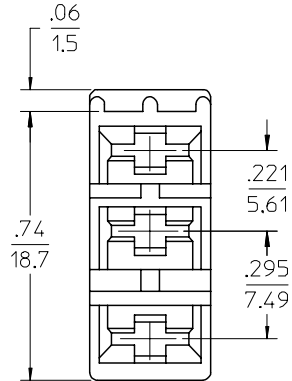
Micro Switch

**Use With**

[2176](#) , [2576](#)



MINIATURE SWITCH



NOTES:-

1. MATERIAL:  
 NYLON 6/6, UL 94V-2  
 COLOR: SEE CHART
2. FINISH: NONE.
3. PRODUCT SPECIFICATION: NONE
4. PACKAGING INFORMATION: PK-2191-0001
5. THIS HOUSING FOR USE WITH 2176 AND 2576 SERIES TERMINALS.

PART NUMBER	ENG. NO.	COLOR
06-02-3031	2191	NATURAL
06-02-9031	2191-BK	BLACK
06-02-9032	2191-GY	GRAY

UPDATE REVISION LEVEL EC NO: UICP20004-0159 DRWN: AELHAG 2003/07/28 CHKD: F SMITH 2003/08/05 APPR: F SMITH 2003/08/28	DESCRIPTION N2	QUALITY SYMBOLS	GENERAL TOLERANCES (UNLESS SPECIFIED)	SCALE 1:1	DESIGN UNITS INCH	THIRD ANGLE PROJECTION	REVISE ON CAD ONLY
		▽ = 0 ◻ = 0	4 PLACES ± --- ± --- 3 PLACES ± --- ± 0.010 2 PLACES ± .25 ± 0.015 1 PLACE ± .38 ± --- ANGULAR ± 1/2°	DIMENSION STYLE IN/MM	TITLE SWITCH CONNECTOR HOUSING, 3 CIRCUIT FLAT BLADE SYSTEM		
		DRAFT WHERE APPLICABLE	DRAWN BY GC CHECKED BY KBP APPROVED BY RAS	DATE 95/12/19 DATE 95/12/19 DATE 95/12/19	MATERIAL NO. SEE CHART DOCUMENT NO. SD-2191-* SHEET NO. 1 OF 1		
		MUST REMAIN WITHIN DIMENSIONS	THIS DRAWING CONTAINS INFORMATION THAT IS PROPRIETARY TO MOLEX INCORPORATED AND SHOULD NOT BE USED WITHOUT WRITTEN PERMISSION				