

# KLC-50WC

KLC-50W is a high bright InGaN white LED without using phosphor.

### Features

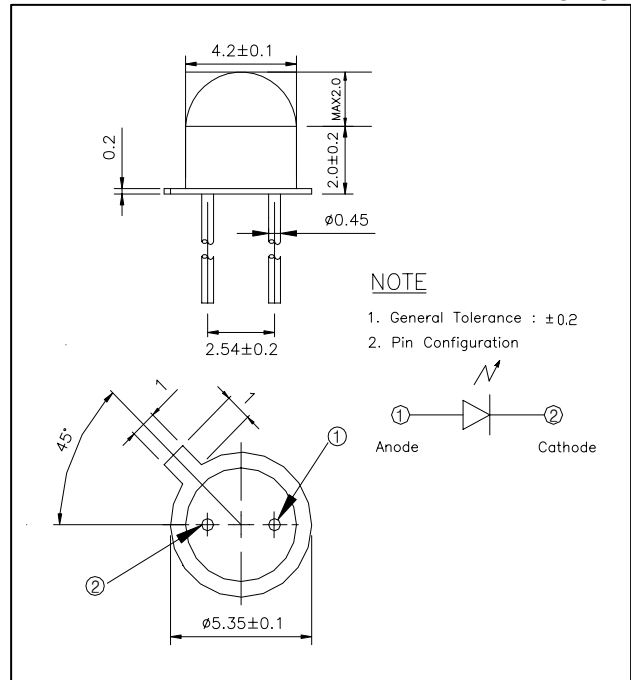
- Ultra Wide Viewing Angle
- Very Thin Small SMD Package
- Single Chip White LED without Phosphor

### Applications

- Display
- Indicator
- Key Pad Back Light

### DIMENSIONS

Unit : [mm]



### Maximum Ratings

[ Ta=25°C ]

Parameter	Symbol	Ratings	Unit
Reverse Voltage	$V_R$	5	V
Forward current	$I_F$	25	mA
Pulse forward current <sup>*1</sup>	$I_{FP}$	60	mA
Power dissipation	$P_D$	65	mW
Operating temperature	$T_{opr.}$	-30 ~ +85	°C
Storage temperature	$T_{stg.}$	-40 ~ +105	°C
Soldering Temperature <sup>*2</sup>	$T_{sol.}$	260	°C

\*1.  $I_{FP}$  Measured under duty  $\leq 1/10$  @ 1KHz

\*2. Soldering time  $\leq 5$  Sec

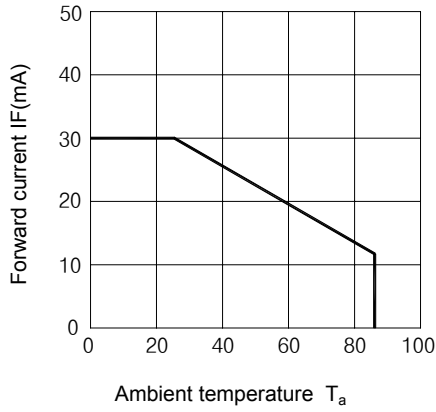
### Electro-Optical Characteristics

[ Ta=25°C ]

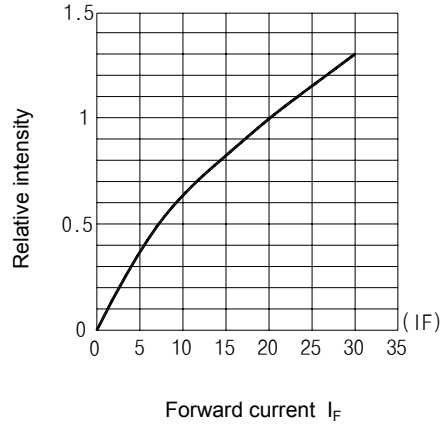
Parameter	Symbol	Conditions	Min	Typ	Max	Unit
Forward voltage	$V_F$	$I_F = 20$ mA	-	3.3	3.5	V
Reverse current	$I_R$	$V_R = 5$ V	-	-	10	uA
Luminous Intensity	$I_v$	$I_F = 20$ mA	-	230	-	mcd
Color Coordinate	x	$I_F = 20$ mA	-	0.30	-	nm
	y		-	0.34	-	nm
Half angle	$2\Delta\theta_{1/2}$	$I_F = 20$ mA	-	180	-	deg.

**KLC-50WC**

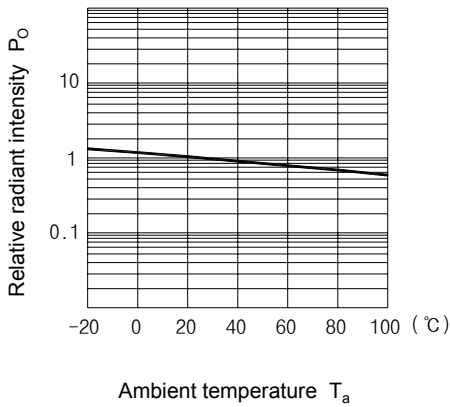
**Forward current vs. Ambient temperature**



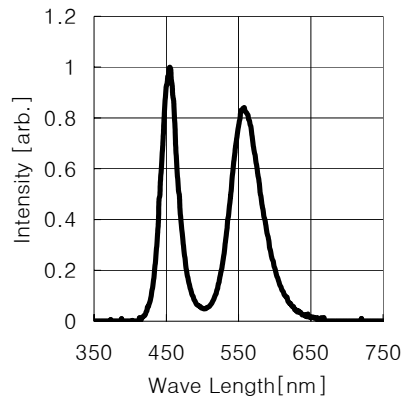
**Radiant Intensity vs. Forward current**



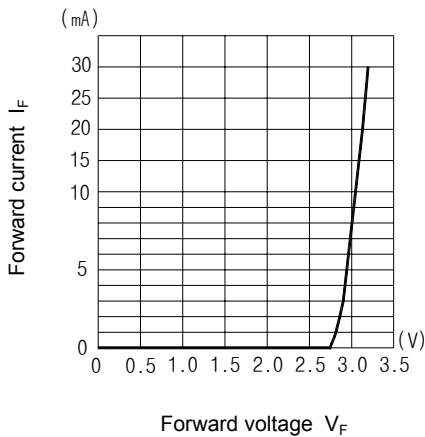
**Relative radiant intensity vs. Ambient temperature**



**Relative intensity vs. Wavelength**



**Forward current vs. Forward voltage**



**Radiant Pattern**

