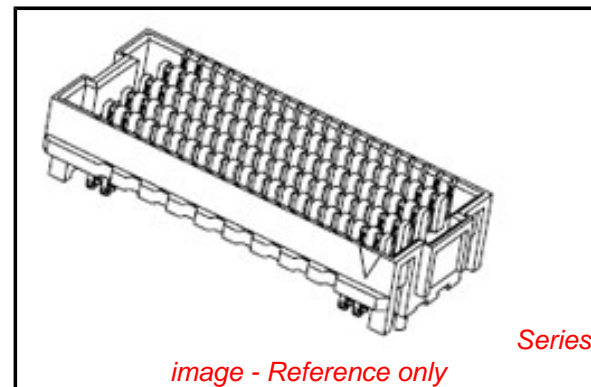


PLEASE CHECK WWW.MOLEX.COM FOR LATEST PART INFORMATION

Part Number: [0459712515](#)
Status: **Active**
Overview: [searay](#)
Description: 1.27mm (.050") by 1.27mm (.050") Pitch SEARAY* Receptacle, 200 Circuits, 8.00mm (.314") Unmated Height, 10 Rows, With Pegs, Solder Charge™ Lead Free

Documents:

| | |
|--|--|
| 3D Model | Product Specification PS-45970-002 (PDF) |
| Drawing (PDF) | RoHS Certificate of Compliance (PDF) |
| Product Specification PS-45970-001 (PDF) | |



Agency Certification

| | |
|-----|---------|
| CSA | LR19980 |
| UL | E29179 |

General

| | |
|----------------|------------------------|
| Product Family | PCB Receptacles |
| Series | 45971 |
| Application | Board-to-Board |
| Overview | searay |
| Product Name | SEARAY* |

Physical

| | |
|--------------------------------|--------------------------------|
| Circuits (Loaded) | 200 |
| Circuits (maximum) | 200 |
| Circuits Detail | 200 |
| Color - Resin | Black |
| Durability (mating cycles max) | 100 |
| Flammability | 94V-0 |
| Glow-Wire Compliant | No |
| Guide to Mating Part | No |
| Keying to Mating Part | None |
| Lock to Mating Part | No |
| Material - Metal | Copper Alloy |
| Material - Plating Mating | Gold |
| Material - Plating Termination | Tin |
| Material - Resin | High Temperature Thermoplastic |
| Number of Rows | 10 |
| Orientation | Vertical |
| PC Tail Length (in) | 0.086 In |
| PC Tail Length (mm) | 2.18 mm |
| PCB Locator | Yes |
| PCB Retention | Yes |
| PCB Thickness Recommended (in) | 0.062 In |
| PCB Thickness Recommended (mm) | 1.57 mm |
| Packaging Type | Embossed Tape on Reel |
| Pitch - Mating Interface (in) | 0.050 In |
| Pitch - Mating Interface (mm) | 1.27 mm |
| Pitch - Term. Interface (in) | 0.050 In |
| Pitch - Term. Interface (mm) | 1.27 mm |
| Plating min: Mating (µin) | 30 |
| Plating min: Mating (µm) | 0.75 |
| Plating min: Termination (µin) | 100 |
| Plating min: Termination (µm) | 2.5 |
| Polarized to Mating Part | Yes |
| Polarized to PCB | Yes |

EU RoHS

ELV and RoHS Compliant
REACH SVHC
 Not Reviewed
Halogen-Free Status
Not Reviewed

China RoHS



Need more information on product environmental compliance?

Email productcompliance@molex.com
 For a multiple part number RoHS Certificate of Compliance, [click here](#)

Please visit the [Contact Us](#) section for any non-product compliance questions.

Search Parts in this Series

[45971Series](#)

Mates With

[45970 SEARAY* Plug](#)

| | |
|--------------------------------|--------------------|
| Robotic Placement | Pick and Place Cap |
| Stackable | No |
| Surface Mount Compatible (SMC) | Yes |
| Temperature Range - Operating | -55°C to +125°C |
| Termination Interface: Style | Surface Mount |

Electrical

| | |
|-------------------------------|---------|
| Current - Maximum per Contact | 2.7A |
| Grounding to PCB | No |
| Voltage - Maximum | 240V AC |

Solder Process Data

| | |
|--|---------------------------|
| Duration at Max. Process Temperature (seconds) | 3 |
| Lead-free Process Capability | Reflow Capable (SMT only) |
| Max. Cycles at Max. Process Temperature | 1 |
| Process Temperature max. C | 260 |

Material Info

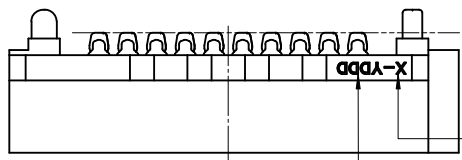
Reference - Drawing Numbers

| | |
|---------------------------|--|
| Application Specification | AS-45970-001, AS-45970-002, AS-45970-990 |
| Packaging Specification | PK-45971-001, PK-45971-002 |
| Product Specification | PS-45970-001, PS-45970-002 |
| Sales Drawing | SD-45971-001 |
| Test Summary | TS-45970-001 |

*SEARAY is a trademark of Samtec, Inc.

This document was generated on 06/08/2010

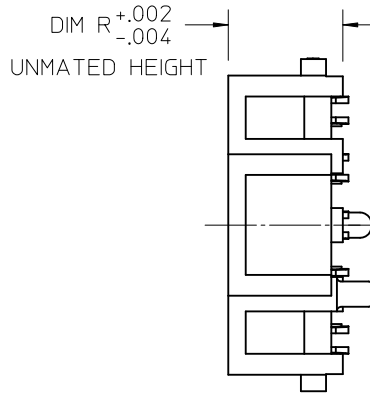
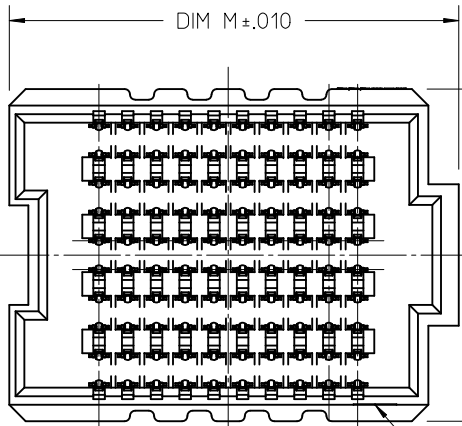
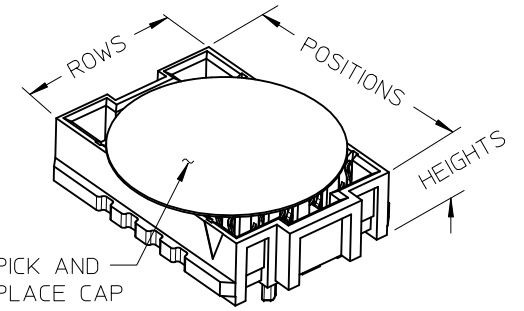
PLEASE CHECK WWW.MOLEX.COM FOR LATEST PART INFORMATION



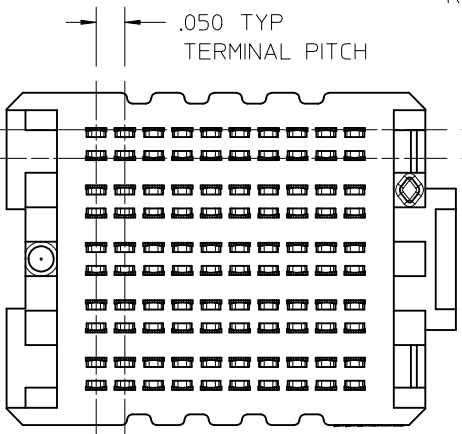
$\overline{\text{A}} .006$ ACROSS ALL SOLDER CHARGES

LEAD CODE:
1 = TIN
2 = TIN / LEAD

DATE CODE



ROW 1 / POSITION 1 ID THIS SIDE



NOTES:

- MATERIALS: HOUSING: LCP, UL94V-0, BLACK
CONTACTS: COPPER ALLOY
SOLDER CHARGE: SEE CHART
- FINISH: ALL OPTIONS - SELECT GOLD IN CONTACT AREA: 30 MI MIN
OPTIONS 5.0: SELECT GOLD FLASH IN TAIL, 7 MI MIN
OPTIONS 6.0 THRU 8.0: SELECT TIN IN TAIL, 100 MI MIN
ALL OPTIONS - OVER NICKEL
- PRODUCT SPECIFICATION: PS-45970-001
- PACKAGING SPECIFICATION: SEE CHART
- MATES WITH SEARAY PLUG ASSEMBLY 45970
- APPLICATION SPECIFICATION: AS-45970-001
- COSMETIC SPECIFICATION: PS-45499-002 CLASS B
- PART STATUS: CONTACT MOLEX

| | | | | | | | | | |
|---|--------------------|---------------------------------------|--|------------------------------|------------------------------|---|---|------------------------|--|
| UPDATED NOTE 2 EC NO: UCP2010-2270 DRWN: TGREGOR I 2010/03/05 CHKD: JCOMERC I 2005/05/17 APPR: JCOMERC I 2010/03/05 | DESCRIPTION REV | GENERAL TOLERANCES (UNLESS SPECIFIED) | | DIMENSION STYLE INCH ONLY | | SCALE 3:1 | DESIGN UNITS INCH | THIRD ANGLE PROJECTION | |
| | | | mm | INCH | DRAWN BY TGREGOR I | DATE 2005/05/17 | TITLE SEARAY RECEPTACLE ASSEMBLY .050 CENTERS | | |
| | | 4 PLACES | ± --- | ± --- | CHECKED BY JCOMERC I | DATE 2005/05/17 | | | |
| | | 3 PLACES | ± --- | ± .005 | APPROVED BY JCOMERC I | DATE 2010/03/05 | MOLEX MOLEX INCORPORATED | | |
| 2 PLACES | ± --- | ± --- | MATERIAL NO. SEE CHART | | DOCUMENT NO. SD-45971-001 | SHEET NO. 1 OF 10 | | | |
| 1 PLACE | ± --- | ± --- | DRAFT WHERE APPLICABLE MUST REMAIN WITHIN DIMENSIONS | | | | | | |
| | | ANGULAR ± ---° | | SIZE A | | THIS DRAWING CONTAINS INFORMATION THAT IS PROPRIETARY TO MOLEX INCORPORATED AND SHOULD NOT BE USED WITHOUT WRITTEN PERMISSION | | | |

6

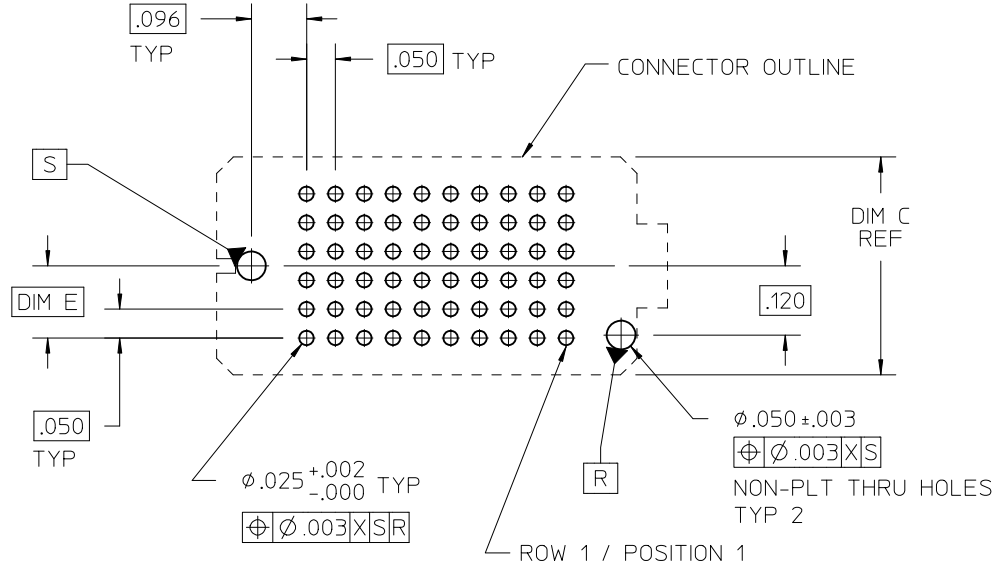
5

4

3

2

1

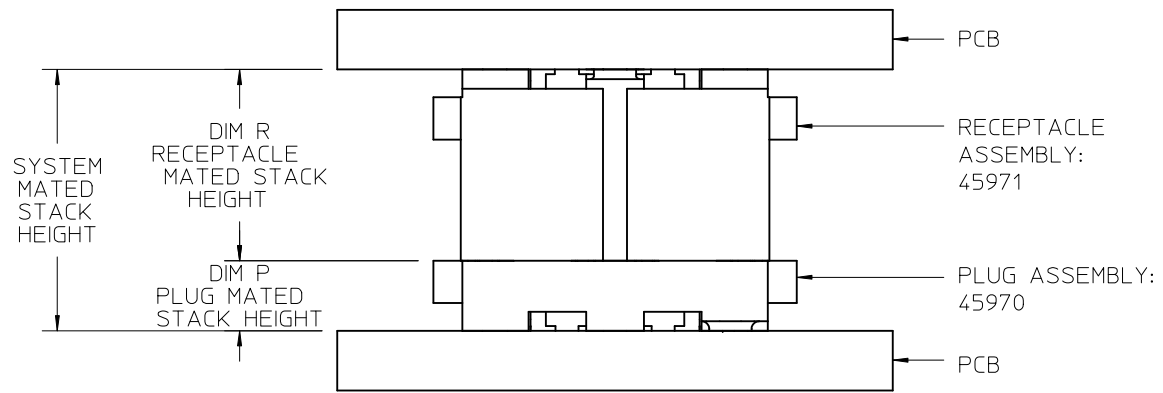


F
 .005
 MIN SOLDER
 PASTE THICKNESS

| NO OF ROWS | DIM C | DIM E |
|------------|-------|-------|
| 6 | .378 | .125 |
| 8 | .478 | .175 |
| 10 | .578 | .225 |
| 12 | .678 | .275 |

RECOMMENDED PCB LAYOUT: COMPONENT SIDE
 SOLDER SCREEN APERTURE SIZE: .035 **F**
 PCB THICKNESS: NA

| | | DIM R RECEPTACLE STACK HEIGHT | | | | | |
|----------------------------|-----|----------------------------------|------|------|------|------|------|
| | | MM | 5.0 | 6.0 | 6.5 | 7.5 | 8.0 |
| DIM P PLUG STACK HEIGHT | 2.0 | 7.0 | 8.0 | 8.5 | 9.5 | 10.0 | 10.5 |
| | 3.0 | 8.0 | 9.0 | 9.5 | 10.5 | 11.0 | 11.5 |
| | 3.5 | 8.5 | 9.5 | 10.0 | 11.0 | 11.5 | 12.0 |
| | 2.5 | 7.5 | 8.5 | 9.0 | 10.0 | 10.5 | 11.0 |
| | 4.5 | 9.5 | 10.5 | 11.0 | 12.0 | 12.5 | 13.0 |
| | 5.0 | 10.0 | 11.0 | 11.5 | 12.5 | 13.0 | 13.5 |
| | 7.0 | 12.0 | 13.0 | 13.5 | 14.5 | 15.0 | 15.5 |



STACK HEIGHTS GIVEN IN METRIC FOR REF ONLY

MATED STACK HEIGHTS
 (MILLIMETERS) REF

| | | |
|---|-----|-------------|
| SEE SHEET 1 EC NO: UCP2010-2270 DRWN: TGREGORI 2010/03/05 CHKD: JCOMERCI 2005/05/17 APPR: JCOMERCI 2010/03/05 | REV | DESCRIPTION |
| | 0 | |
| | | |
| | | |

| GENERAL TOLERANCES (UNLESS SPECIFIED) | | |
|--|--------|---------|
| | mm | INCH |
| 4 PLACES | ± .005 | ± .0005 |
| 3 PLACES | ± .005 | ± .0005 |
| 2 PLACES | ± .005 | ± .0005 |
| 1 PLACE | ± .005 | ± .0005 |
| ANGULAR ± .005° | | |
| DRAFT WHERE APPLICABLE MUST REMAIN WITHIN DIMENSIONS | | |

| DIMENSION STYLE INCH ONLY | |
|------------------------------|------------|
| DRAWN BY | DATE |
| TGREGORI | 2005/05/17 |
| CHECKED BY | DATE |
| JCOMERCI | 2005/05/17 |
| APPROVED BY | DATE |
| JCOMERCI | 2010/03/05 |
| MATERIAL NO. | |
| SEE CHARTS | |

| | | |
|--|----------------------|---------------------------|
| SCALE 3:1 | DESIGN UNITS INCH | THIRD ANGLE PROJECTION |
| TITLE SEARAY RECEPTACLE ASSEMBLY .050 CENTERS | | |
| molex MOLEX INCORPORATED | | |
| DOCUMENT NO. SD-45971-001 | SHEET NO. 2 OF 10 | |

5

4

3


2

1

| 6 | | 5 | | 4 | | 3 | | 2 | | 1 | | |
|-----------------------------|-------|-------------|-------------|-------------|-------------|-------------|-------------|-------------|-------------|-------------|-------------|--|
| DIM R: (REF) | | 5.0 MM | | 6.0 MM | | 6.5 MM | | 7.5 MM | | 8.0 MM | | STACK HEIGHTS GIVEN IN METRIC FOR REF ONLY |
| DIM R: HOUSING HEIGHT | | | | | | | | | | | | |
| | | .199 | | .238 | | .258 | | .297 | | .297 | | |
| POSITION | DIM M | MATERIAL NO | MATERIAL NO | MATERIAL NO | MATERIAL NO | MATERIAL NO | MATERIAL NO | MATERIAL NO | MATERIAL NO | MATERIAL NO | MATERIAL NO | |
| 19 | 1.232 | 45971-0161 | 45971-0261 | 45971-0361 | 45971-0461 | 45971-0561 | 45971-0661 | 45971-0761 | 45971-0861 | 45971-0961 | 45971-1061 | |
| 10 | 0.782 | 45971-1161 | 45971-1261 | 45971-1361 | 45971-1461 | 45971-1561 | 45971-1661 | 45971-1761 | 45971-1861 | 45971-1961 | 45971-2061 | |
| 20 | 1.282 | 45971-2161 | 45971-2261 | 45971-2361 | 45971-2461 | 45971-2561 | 45971-2661 | 45971-2761 | 45971-2861 | 45971-2961 | 45971-3061 | |
| 30 | 1.782 | 45971-3161 | 45971-3261 | 45971-3361 | 45971-3461 | 45971-3561 | 45971-3661 | 45971-3761 | 45971-3861 | 45971-3961 | 45971-4061 | |
| 40 | 2.282 | 45971-4161 | 45971-4261 | 45971-4361 | 45971-4461 | 45971-4561 | 45971-4661 | 45971-4761 | 45971-4861 | 45971-4961 | 45971-5061 | |
| 50 | 2.782 | 45971-5161 | 45971-5261 | 45971-5361 | 45971-5461 | 45971-5561 | 45971-5661 | 45971-5761 | 45971-5861 | 45971-5961 | 45971-6061 | |
| 15 | 1.032 | 45971-6161 | 45971-6261 | 45971-6361 | 45971-6461 | 45971-6561 | 45971-6661 | 45971-6761 | 45971-6861 | 45971-6961 | 45971-7061 | |
| 25 | 1.532 | 45971-7161 | 45971-7261 | 45971-7361 | 45971-7461 | 45971-7561 | 45971-7661 | 45971-7761 | 45971-7861 | 45971-7961 | 45971-8061 | |
| 35 | 2.032 | 45971-8161 | 45971-8261 | 45971-8361 | 45971-8461 | 45971-8561 | 45971-8661 | 45971-8761 | 45971-8861 | 45971-8961 | 45971-9061 | |
| 45 | 2.532 | 45971-9161 | 45971-9261 | 45971-9361 | 45971-9461 | 45971-9561 | 45971-9661 | 45971-9761 | 45971-9861 | 45971-9961 | 45971-10061 | |

| 6 | | 5 | | 4 | | 3 | | 2 | | 1 | | |
|-----------------------------|-------|-------------|-------------|-------------|-------------|-------------|-------------|-------------|-------------|-------------|-------------|--|
| DIM R: (REF) | | 5.0 MM | | 6.0 MM | | 6.5 MM | | 7.5 MM | | 8.0 MM | | STACK HEIGHTS GIVEN IN METRIC FOR REF ONLY |
| DIM R: HOUSING HEIGHT | | | | | | | | | | | | |
| | | .199 | | .238 | | .258 | | .297 | | .297 | | |
| POSITION | DIM M | MATERIAL NO | MATERIAL NO | MATERIAL NO | MATERIAL NO | MATERIAL NO | MATERIAL NO | MATERIAL NO | MATERIAL NO | MATERIAL NO | MATERIAL NO | |
| 19 | 1.232 | 45971-0165 | 45971-0265 | 45971-0365 | 45971-0465 | 45971-0565 | 45971-0665 | 45971-0765 | 45971-0865 | 45971-0965 | 45971-1065 | |
| 10 | 0.782 | 45971-1165 | 45971-1265 | 45971-1365 | 45971-1465 | 45971-1565 | 45971-1665 | 45971-1765 | 45971-1865 | 45971-1965 | 45971-2065 | |
| 20 | 1.282 | 45971-2165 | 45971-2265 | 45971-2365 | 45971-2465 | 45971-2565 | 45971-2665 | 45971-2765 | 45971-2865 | 45971-2965 | 45971-3065 | |
| 30 | 1.782 | 45971-3165 | 45971-3265 | 45971-3365 | 45971-3465 | 45971-3565 | 45971-3665 | 45971-3765 | 45971-3865 | 45971-3965 | 45971-4065 | |
| 40 | 2.282 | 45971-4165 | 45971-4265 | 45971-4365 | 45971-4465 | 45971-4565 | 45971-4665 | 45971-4765 | 45971-4865 | 45971-4965 | 45971-5065 | |
| 50 | 2.782 | 45971-5165 | 45971-5265 | 45971-5365 | 45971-5465 | 45971-5565 | 45971-5665 | 45971-5765 | 45971-5865 | 45971-5965 | 45971-6065 | |
| 15 | 1.032 | 45971-6165 | 45971-6265 | 45971-6365 | 45971-6465 | 45971-6565 | 45971-6665 | 45971-6765 | 45971-6865 | 45971-6965 | 45971-7065 | |
| 25 | 1.532 | 45971-7165 | 45971-7265 | 45971-7365 | 45971-7465 | 45971-7565 | 45971-7665 | 45971-7765 | 45971-7865 | 45971-7965 | 45971-8065 | |
| 35 | 2.032 | 45971-8165 | 45971-8265 | 45971-8365 | 45971-8465 | 45971-8565 | 45971-8665 | 45971-8765 | 45971-8865 | 45971-8965 | 45971-9065 | |
| 45 | 2.532 | 45971-9165 | 45971-9265 | 45971-9365 | 45971-9465 | 45971-9565 | 45971-9665 | 45971-9765 | 45971-9865 | 45971-9965 | 45971-10065 | |

NOTES:
 1. THIS SHEET CONTAINS THE FOLLOWING OPTIONS
 NO OF ROWS: 6
 SOLDER CHARGE: TIN
 PACKAGING: TRAYS AND TAPE AND REEL

| | | | | | | | | | | |
|--|--------------------|---------------------------------------|---|-------------------------------------|-------------------------|---------------------|---|------------------------|--|--|
| SEE SHEET 1 EC NO: UCP2010-2270 DRWN: TGREGORI 2010/03/05 CH'KD: JCOMERCI 2005/05/17 APPR: JCOMERCI 2010/03/05 | DESCRIPTION REV | GENERAL TOLERANCES (UNLESS SPECIFIED) | | DIMENSION STYLE INCH ONLY | | SCALE 1:1 | DESIGN UNITS INCH | THIRD ANGLE PROJECTION | | |
| | | | mm | INCH | DRAWN BY TGREGORI | DATE 2005/05/17 | TITLE SEARAY RECEPTACLE ASSEMBLY .050 CENTERS | | | |
| | | 4 PLACES | ± --- | ± --- | CHECKED BY JCOMERCI | DATE 2005/05/17 | | | | |
| | | 3 PLACES | ± --- | ± .005 | APPROVED BY JCOMERCI | DATE 2010/03/05 |  MOLEX INCORPORATED DOCUMENT NO. SD-45971-001 | | | |
| | | 2 PLACES | ± --- | ± --- | MATERIAL NO. | | | | | |
| 1 PLACE | ± --- | ± --- | SEE CHART THIS DRAWING CONTAINS INFORMATION THAT IS PROPRIETARY TO MOLEX INCORPORATED AND SHOULD NOT BE USED WITHOUT WRITTEN PERMISSION | | SHEET NO. 3 OF 10 | | | | | |
| DRAFT WHERE APPLICABLE MUST REMAIN WITHIN DIMENSIONS | | ANGULAR ± ---° | | | | | | | | |

| 6 | | 5 | | 4 | | 3 | |
|-----------------------------|-------|-------------|------------|-------------|------------|-------------|--|
| DIM R: (REF) | | 5.0 MM | | 6.0 MM | | 8.0 MM | |
| DIM R: HOUSING HEIGHT | | | | | | | |
| POSITION | | MATERIAL NO | | MATERIAL NO | | MATERIAL NO | |
| 19 | 1.232 | 45971-0163 | 45971-0263 | 45971-0363 | 45971-0463 | 45971-0563 | |
| 10 | 0.782 | 45971-1163 | 45971-1263 | 45971-1363 | 45971-1463 | 45971-1563 | |
| 20 | 1.282 | 45971-2163 | 45971-2263 | 45971-2363 | 45971-2463 | 45971-2563 | |
| 30 | 1.782 | 45971-3163 | 45971-3263 | 45971-3363 | 45971-3463 | 45971-3563 | |
| 40 | 2.282 | 45971-4163 | 45971-4263 | 45971-4363 | 45971-4463 | 45971-4563 | |
| 50 | 2.782 | 45971-5163 | 45971-5263 | 45971-5363 | 45971-5463 | 45971-5563 | |
| 15 | 1.032 | 45971-6163 | 45971-6263 | 45971-6363 | 45971-6463 | 45971-6563 | |
| 25 | 1.532 | 45971-7163 | 45971-7263 | 45971-7363 | 45971-7463 | 45971-7563 | |
| 35 | 2.032 | 45971-8163 | 45971-8263 | 45971-8363 | 45971-8463 | 45971-8563 | |
| 45 | 2.532 | 45971-9163 | 45971-9263 | 45971-9363 | 45971-9463 | 45971-9563 | |

STACK HEIGHTS GIVEN IN METRIC FOR REF ONLY

| 6 | | 5 | | 4 | | 3 | |
|-----------------------------|-------|-------------|------------|-------------|------------|-------------|--|
| DIM R: (REF) | | 5.0 MM | | 6.0 MM | | 8.0 MM | |
| DIM R: HOUSING HEIGHT | | | | | | | |
| POSITION | | MATERIAL NO | | MATERIAL NO | | MATERIAL NO | |
| 19 | 1.232 | 45971-0167 | 45971-0267 | 45971-0367 | 45971-0467 | 45971-0567 | |
| 10 | 0.782 | 45971-1167 | 45971-1267 | 45971-1367 | 45971-1467 | 45971-1567 | |
| 20 | 1.282 | 45971-2167 | 45971-2267 | 45971-2367 | 45971-2467 | 45971-2567 | |
| 30 | 1.782 | 45971-3167 | 45971-3267 | 45971-3367 | 45971-3467 | 45971-3567 | |
| 40 | 2.282 | 45971-4167 | 45971-4267 | 45971-4367 | 45971-4467 | 45971-4567 | |
| 50 | 2.782 | 45971-5167 | 45971-5267 | 45971-5367 | 45971-5467 | 45971-5567 | |
| 15 | 1.032 | 45971-6167 | 45971-6267 | 45971-6367 | 45971-6467 | 45971-6567 | |
| 25 | 1.532 | 45971-7167 | 45971-7267 | 45971-7367 | 45971-7467 | 45971-7567 | |
| 35 | 2.032 | 45971-8167 | 45971-8267 | 45971-8367 | 45971-8467 | 45971-8567 | |
| 45 | 2.532 | 45971-9167 | 45971-9267 | 45971-9367 | 45971-9467 | 45971-9567 | |

STACK HEIGHTS GIVEN IN METRIC FOR REF ONLY

NOTES:
1. THIS SHEET CONTAINS THE FOLLOWING OPTIONS
NO OF ROWS: 6
SOLDER CHARGE: TIN / LEAD
PACKAGING: TRAYS AND TAPE AND REEL

| | | | | | | | | | |
|--|-------------|---------------------------------------|--|-------------------------------------|--|---------------------|---|------------------------|--|
| SEE SHEET 1 EC NO: UCP2010-2270 DRWN: TGREGORI 2010/03/05 CHKD: JCOMERC I 2005/05/17 APPR: JCOMERC I 2010/03/05 | DESCRIPTION | GENERAL TOLERANCES (UNLESS SPECIFIED) | | DIMENSION STYLE INCH ONLY | | SCALE 1:1 | DESIGN UNITS INCH | THIRD ANGLE PROJECTION | |
| | | | mm | INCH | DRAWN BY TGREGORI | DATE 2005/05/17 | SEARAY RECEPTACLE ASSEMBLY .050 CENTERS MOLEX INCORPORATED | | |
| | | 4 PLACES | ± .005 | ± .005 | CHECKED BY JCOMERC I | DATE 2005/05/17 | | | |
| | | 3 PLACES | ± .005 | ± .005 | APPROVED BY JCOMERC I | DATE 2010/03/05 | | | |
| | | 2 PLACES | ± .005 | ± .005 | MATERIAL NO. | DOCUMENT NO. | | | |
| | | ANGULAR ± .005° | DRAFT WHERE APPLICABLE MUST REMAIN WITHIN DIMENSIONS | | SEE CHART | | SD-45971-001 | SHEET NO. 4 OF 10 | |
| | REV | | | SIZE A | THIS DRAWING CONTAINS INFORMATION THAT IS PROPRIETARY TO MOLEX INCORPORATED AND SHOULD NOT BE USED WITHOUT WRITTEN PERMISSION | | | | |

| 6 | | 5 | | 4 | | 3 | | 2 | | 1 | | |
|-----------------------------|-------|-------------|-------------|-------------|-------------|-------------|-------------|-------------|-------------|-------------|-------------|--|
| DIM R: (REF) | | 5.0 MM | | 6.0 MM | | 6.5 MM | | 7.5 MM | | 8.0 MM | | STACK HEIGHTS GIVEN IN METRIC FOR REF ONLY |
| DIM R: HOUSING HEIGHT | | | | | | | | | | | | |
| | | .199 | | .238 | | .258 | | .297 | | .297 | | |
| POSITION | DIM M | MATERIAL NO | MATERIAL NO | MATERIAL NO | MATERIAL NO | MATERIAL NO | MATERIAL NO | MATERIAL NO | MATERIAL NO | MATERIAL NO | MATERIAL NO | |
| 19 | 1.232 | 45971-0181 | 45971-0281 | 45971-0381 | 45971-0481 | 45971-0581 | 45971-0681 | 45971-0781 | 45971-0881 | 45971-0981 | 45971-1081 | |
| 10 | 0.782 | 45971-1181 | 45971-1281 | 45971-1381 | 45971-1481 | 45971-1581 | 45971-1681 | 45971-1781 | 45971-1881 | 45971-1981 | 45971-2081 | |
| 20 | 1.282 | 45971-2181 | 45971-2281 | 45971-2381 | 45971-2481 | 45971-2581 | 45971-2681 | 45971-2781 | 45971-2881 | 45971-2981 | 45971-3081 | |
| 30 | 1.782 | 45971-3181 | 45971-3281 | 45971-3381 | 45971-3481 | 45971-3581 | 45971-3681 | 45971-3781 | 45971-3881 | 45971-3981 | 45971-4081 | |
| 40 | 2.282 | 45971-4181 | 45971-4281 | 45971-4381 | 45971-4481 | 45971-4581 | 45971-4681 | 45971-4781 | 45971-4881 | 45971-4981 | 45971-5081 | |
| 50 | 2.782 | 45971-5181 | 45971-5281 | 45971-5381 | 45971-5481 | 45971-5581 | 45971-5681 | 45971-5781 | 45971-5881 | 45971-5981 | 45971-6081 | |
| 15 | 1.032 | 45971-6181 | 45971-6281 | 45971-6381 | 45971-6481 | 45971-6581 | 45971-6681 | 45971-6781 | 45971-6881 | 45971-6981 | 45971-7081 | |
| 25 | 1.532 | 45971-7181 | 45971-7281 | 45971-7381 | 45971-7481 | 45971-7581 | 45971-7681 | 45971-7781 | 45971-7881 | 45971-7981 | 45971-8081 | |
| 35 | 2.032 | 45971-8181 | 45971-8281 | 45971-8381 | 45971-8481 | 45971-8581 | 45971-8681 | 45971-8781 | 45971-8881 | 45971-8981 | 45971-9081 | |
| 45 | 2.532 | 45971-9181 | 45971-9281 | 45971-9381 | 45971-9481 | 45971-9581 | 45971-9681 | 45971-9781 | 45971-9881 | 45971-9981 | 45971-10081 | |

| 6 | | 5 | | 4 | | 3 | | 2 | | 1 | | |
|-----------------------------|-------|-------------|-------------|-------------|-------------|-------------|-------------|-------------|-------------|-------------|-------------|--|
| DIM R: (REF) | | 5.0 MM | | 6.0 MM | | 6.5 MM | | 7.5 MM | | 8.0 MM | | STACK HEIGHTS GIVEN IN METRIC FOR REF ONLY |
| DIM R: HOUSING HEIGHT | | | | | | | | | | | | |
| | | .199 | | .238 | | .258 | | .297 | | .297 | | |
| POSITION | DIM M | MATERIAL NO | MATERIAL NO | MATERIAL NO | MATERIAL NO | MATERIAL NO | MATERIAL NO | MATERIAL NO | MATERIAL NO | MATERIAL NO | MATERIAL NO | |
| 19 | 1.232 | 45971-0185 | 45971-0285 | 45971-0385 | 45971-0485 | 45971-0585 | 45971-0685 | 45971-0785 | 45971-0885 | 45971-0985 | 45971-1085 | |
| 10 | 0.782 | 45971-1185 | 45971-1285 | 45971-1385 | 45971-1485 | 45971-1585 | 45971-1685 | 45971-1785 | 45971-1885 | 45971-1985 | 45971-2085 | |
| 20 | 1.282 | 45971-2185 | 45971-2285 | 45971-2385 | 45971-2485 | 45971-2585 | 45971-2685 | 45971-2785 | 45971-2885 | 45971-2985 | 45971-3085 | |
| 30 | 1.782 | 45971-3185 | 45971-3285 | 45971-3385 | 45971-3485 | 45971-3585 | 45971-3685 | 45971-3785 | 45971-3885 | 45971-3985 | 45971-4085 | |
| 40 | 2.282 | 45971-4185 | 45971-4285 | 45971-4385 | 45971-4485 | 45971-4585 | 45971-4685 | 45971-4785 | 45971-4885 | 45971-4985 | 45971-5085 | |
| 50 | 2.782 | 45971-5185 | 45971-5285 | 45971-5385 | 45971-5485 | 45971-5585 | 45971-5685 | 45971-5785 | 45971-5885 | 45971-5985 | 45971-6085 | |
| 15 | 1.032 | 45971-6185 | 45971-6285 | 45971-6385 | 45971-6485 | 45971-6585 | 45971-6685 | 45971-6785 | 45971-6885 | 45971-6985 | 45971-7085 | |
| 25 | 1.532 | 45971-7185 | 45971-7285 | 45971-7385 | 45971-7485 | 45971-7585 | 45971-7685 | 45971-7785 | 45971-7885 | 45971-7985 | 45971-8085 | |
| 35 | 2.032 | 45971-8185 | 45971-8285 | 45971-8385 | 45971-8485 | 45971-8585 | 45971-8685 | 45971-8785 | 45971-8885 | 45971-8985 | 45971-9085 | |
| 45 | 2.532 | 45971-9185 | 45971-9285 | 45971-9385 | 45971-9485 | 45971-9585 | 45971-9685 | 45971-9785 | 45971-9885 | 45971-9985 | 45971-10085 | |

NOTES:
 1. THIS SHEET CONTAINS THE FOLLOWING OPTIONS
 NO OF ROWS: 8
 SOLDER CHARGE: TIN
 PACKAGING: TRAYS AND TAPE AND REEL

| | | | | | | | | | | |
|---|-------------|---------------------------------------|------------------|-------------------------------------|---|---------------------|--|------------------------|----------------------|--|
| SEE SHEET 1 EC NO: UCP2010-2270 DRWN: TGREGORI 2010/03/05 CHKD: JCOMERCI 2005/05/17 APPR: JCOMERCI 2010/03/05 | DESCRIPTION | GENERAL TOLERANCES (UNLESS SPECIFIED) | | DIMENSION STYLE INCH ONLY | | SCALE 1:1 | DESIGN UNITS INCH | THIRD ANGLE PROJECTION | | |
| | | | mm | INCH | DRAWN BY TGREGORI | DATE 2005/05/17 | TITLE SEARAY RECEPTACLE ASSEMBLY .050 CENTERS MOLEX INCORPORATED | | | |
| | | 4 PLACES | ± .005 | ± .005 | CHECKED BY JCOMERCI | DATE 2005/05/17 | | | | |
| | | 3 PLACES | ± .005 | ± .005 | APPROVED BY JCOMERCI | DATE 2010/03/05 | | | | |
| | | 2 PLACES | ± .005 | ± .005 | MATERIAL NO. | DOCUMENT NO. | | | | |
| 1 PLACE | ± .005 | ± .005 | ANGULAR ± ---° | | SEE CHART | | SD-45971-001 | | SHEET NO. 5 OF 10 | |
| DRAFT WHERE APPLICABLE MUST REMAIN WITHIN DIMENSIONS | | | SIZE A | | THIS DRAWING CONTAINS INFORMATION THAT IS PROPRIETARY TO MOLEX INCORPORATED AND SHOULD NOT BE USED WITHOUT WRITTEN PERMISSION | | | | | |

| 6 | | 5 | | 4 | | 3 | |
|-----------------------------|-------|-------------|------------|-------------|------------|-------------|--|
| DIM R: (REF) | | 5.0 MM | | 6.0 MM | | 8.0 MM | |
| DIM R: HOUSING HEIGHT | | | | | | | |
| POSITION | | MATERIAL NO | | MATERIAL NO | | MATERIAL NO | |
| 19 | 1.232 | 45971-0183 | 45971-0283 | 45971-0383 | 45971-0483 | 45971-0583 | |
| 10 | 0.782 | 45971-1183 | 45971-1283 | 45971-1383 | 45971-1483 | 45971-1583 | |
| 20 | 1.282 | 45971-2183 | 45971-2283 | 45971-2383 | 45971-2483 | 45971-2583 | |
| 30 | 1.782 | 45971-3183 | 45971-3283 | 45971-3383 | 45971-3483 | 45971-3583 | |
| 40 | 2.282 | 45971-4183 | 45971-4283 | 45971-4383 | 45971-4483 | 45971-4583 | |
| 50 | 2.782 | 45971-5183 | 45971-5283 | 45971-5383 | 45971-5483 | 45971-5583 | |
| 15 | 1.032 | 45971-6183 | 45971-6283 | 45971-6383 | 45971-6483 | 45971-6583 | |
| 25 | 1.532 | 45971-7183 | 45971-7283 | 45971-7383 | 45971-7483 | 45971-7583 | |
| 35 | 2.032 | 45971-8183 | 45971-8283 | 45971-8383 | 45971-8483 | 45971-8583 | |
| 45 | 2.532 | 45971-9183 | 45971-9283 | 45971-9383 | 45971-9483 | 45971-9583 | |

STACK HEIGHTS GIVEN IN METRIC FOR REF ONLY

| 6 | | 5 | | 4 | | 3 | |
|-----------------------------|-------|-------------|------------|-------------|------------|-------------|--|
| DIM R: (REF) | | 5.0 MM | | 6.0 MM | | 8.0 MM | |
| DIM R: HOUSING HEIGHT | | | | | | | |
| POSITION | | MATERIAL NO | | MATERIAL NO | | MATERIAL NO | |
| 19 | 1.232 | 45971-0187 | 45971-0287 | 45971-0387 | 45971-0487 | 45971-0587 | |
| 10 | 0.782 | 45971-1187 | 45971-1287 | 45971-1387 | 45971-1487 | 45971-1587 | |
| 20 | 1.282 | 45971-2187 | 45971-2287 | 45971-2387 | 45971-2487 | 45971-2587 | |
| 30 | 1.782 | 45971-3187 | 45971-3287 | 45971-3387 | 45971-3487 | 45971-3587 | |
| 40 | 2.282 | 45971-4187 | 45971-4287 | 45971-4387 | 45971-4487 | 45971-4587 | |
| 50 | 2.782 | 45971-5187 | 45971-5287 | 45971-5387 | 45971-5487 | 45971-5587 | |
| 15 | 1.032 | 45971-6187 | 45971-6287 | 45971-6387 | 45971-6487 | 45971-6587 | |
| 25 | 1.532 | 45971-7187 | 45971-7287 | 45971-7387 | 45971-7487 | 45971-7587 | |
| 35 | 2.032 | 45971-8187 | 45971-8287 | 45971-8387 | 45971-8487 | 45971-8587 | |
| 45 | 2.532 | 45971-9187 | 45971-9287 | 45971-9387 | 45971-9487 | 45971-9587 | |

STACK HEIGHTS GIVEN IN METRIC FOR REF ONLY

NOTES:
1. THIS SHEET CONTAINS THE FOLLOWING OPTIONS
NO OF ROWS: 8
SOLDER CHARGE: TIN / LEAD
PACKAGING: TRAYS AND TAPE AND REEL

TRAY PACK PK-45971-001

TRAY PACK PK-45971-002

SEE SHEET 1
EC NO: UCP2010-2270
DRWN: TGREGORI 2010/03/05
CHKD: JCOMERCI 2005/05/17
APPR: JCOMERCI 2010/03/05

DESCRIPTION

REV

| GENERAL TOLERANCES (UNLESS SPECIFIED) | | | DIMENSION STYLE INCH ONLY | |
|--|-------|--------|------------------------------|------------|
| | mm | INCH | DRAWN BY | DATE |
| 4 PLACES | ± --- | ± --- | TGREGORI | 2005/05/17 |
| 3 PLACES | ± --- | ± .005 | CHECKED BY | DATE |
| 2 PLACES | ± --- | ± --- | JCOMERCI | 2005/05/17 |
| 1 PLACE | ± --- | ± --- | APPROVED BY | DATE |
| ANGULAR ± ---° | | | JCOMERCI | 2010/03/05 |
| DRAFT WHERE APPLICABLE MUST REMAIN WITHIN DIMENSIONS | | | MATERIAL NO. | SEE CHART |

| | | |
|--|----------------------|---------------------------|
| SCALE 1:1 | DESIGN UNITS INCH | THIRD ANGLE PROJECTION |
| TITLE SEARAY RECEPTACLE ASSEMBLY .050 CENTERS | | |
| MOLEX INCORPORATED | | |
| DOCUMENT NO. SD-45971-001 | SHEET NO. 6 OF 10 | |

| 6 | | 5 | | 4 | | 3 | |
|-----------------------------|-------|-------------|------------|-------------|------------|-------------|--|
| DIM R: (REF) | | 5.0 MM | | 6.0 MM | | 8.0 MM | |
| DIM R: HOUSING HEIGHT | | | | | | | |
| POSITION | | MATERIAL NO | | MATERIAL NO | | MATERIAL NO | |
| 19 | 1.232 | 45971-0111 | 45971-0211 | 45971-0311 | 45971-0411 | 45971-0511 | |
| 10 | 0.782 | 45971-1111 | 45971-1211 | 45971-1311 | 45971-1411 | 45971-1511 | |
| 20 | 1.282 | 45971-2111 | 45971-2211 | 45971-2311 | 45971-2411 | 45971-2511 | |
| 30 | 1.782 | 45971-3111 | 45971-3211 | 45971-3311 | 45971-3411 | 45971-3511 | |
| 40 | 2.282 | 45971-4111 | 45971-4211 | 45971-4311 | 45971-4411 | 45971-4511 | |
| 50 | 2.782 | 45971-5111 | 45971-5211 | 45971-5311 | 45971-5411 | 45971-5511 | |
| 15 | 1.032 | 45971-6111 | 45971-6211 | 45971-6311 | 45971-6411 | 45971-6511 | |
| 25 | 1.532 | 45971-7111 | 45971-7211 | 45971-7311 | 45971-7411 | 45971-7511 | |
| 35 | 2.032 | 45971-8111 | 45971-8211 | 45971-8311 | 45971-8411 | 45971-8511 | |
| 45 | 2.532 | 45971-9111 | 45971-9211 | 45971-9311 | 45971-9411 | 45971-9511 | |

STACK HEIGHTS GIVEN IN METRIC FOR REF ONLY

| 6 | | 5 | | 4 | | 3 | |
|-----------------------------|-------|-------------|------------|-------------|------------|-------------|--|
| DIM R: (REF) | | 5.0 MM | | 6.0 MM | | 8.0 MM | |
| DIM R: HOUSING HEIGHT | | | | | | | |
| POSITION | | MATERIAL NO | | MATERIAL NO | | MATERIAL NO | |
| 19 | 1.232 | 45971-0115 | 45971-0215 | 45971-0315 | 45971-0415 | 45971-0515 | |
| 10 | 0.782 | 45971-1115 | 45971-1215 | 45971-1315 | 45971-1415 | 45971-1515 | |
| 20 | 1.282 | 45971-2115 | 45971-2215 | 45971-2315 | 45971-2415 | 45971-2515 | |
| 30 | 1.782 | 45971-3115 | 45971-3215 | 45971-3315 | 45971-3415 | 45971-3515 | |
| 40 | 2.282 | 45971-4115 | 45971-4215 | 45971-4315 | 45971-4415 | 45971-4515 | |
| 50 | 2.782 | 45971-5115 | 45971-5215 | 45971-5315 | 45971-5415 | 45971-5515 | |
| 15 | 1.032 | 45971-6115 | 45971-6215 | 45971-6315 | 45971-6415 | 45971-6515 | |
| 25 | 1.532 | 45971-7115 | 45971-7215 | 45971-7315 | 45971-7415 | 45971-7515 | |
| 35 | 2.032 | 45971-8115 | 45971-8215 | 45971-8315 | 45971-8415 | 45971-8515 | |
| 45 | 2.532 | 45971-9115 | 45971-9215 | 45971-9315 | 45971-9415 | 45971-9515 | |

STACK HEIGHTS GIVEN IN METRIC FOR REF ONLY

| | |
|--|-------------|
| SEE SHEET 1 EC NO: UCP2010-2270 DRWN: TGREGORI 2010/03/05 CH'KD: JCOMERCI 2005/05/17 APPR: JCOMERCI 2010/03/05 | DESCRIPTION |
| | REV |
| | 0 |

| GENERAL TOLERANCES (UNLESS SPECIFIED) | | |
|--|--------|---------|
| | mm | INCH |
| 4 PLACES | ± .005 | ± .0005 |
| 3 PLACES | ± .005 | ± .0005 |
| 2 PLACES | ± .005 | ± .0005 |
| 1 PLACE | ± .005 | ± .0005 |
| ANGULAR ± .005° | | |
| DRAFT WHERE APPLICABLE MUST REMAIN WITHIN DIMENSIONS | | |

| DIMENSION STYLE | |
|-----------------|------------|
| INCH ONLY | |
| DRAWN BY | DATE |
| TGREGORI | 2005/05/17 |
| CHECKED BY | DATE |
| JCOMERCI | 2005/05/17 |
| APPROVED BY | DATE |
| JCOMERCI | 2010/03/05 |
| MATERIAL NO. | |
| SEE CHART | |

| | | |
|---|--------------|------------------------|
| SCALE | DESIGN UNITS | THIRD ANGLE PROJECTION |
| 1:1 | INCH | |
| TITLE | | |
| SEARAY RECEPTACLE ASSEMBLY .050 CENTERS | | |
| MOLEX INCORPORATED | | |
| DOCUMENT NO. | | SHEET NO. |
| SD-45971-001 | | 7 OF 10 |

NOTES:
 1. THIS SHEET CONTAINS THE FOLLOWING OPTIONS
 NO OF ROWS: 10
 SOLDER CHARGE: TIN
 PACKAGING: TRAYS AND TAPE AND REEL

| 6 | | 5 | | 4 | | 3 | | 2 | | 1 | | |
|-----------------------------|-------|-------------|-------------|-------------|-------------|-------------|-------------|-------------|-------------|-------------|-------------|--|
| DIM R: (REF) | | 5.0 MM | | 6.0 MM | | 6.5 MM | | 7.5 MM | | 8.0 MM | | STACK HEIGHTS GIVEN IN METRIC FOR REF ONLY |
| DIM R: HOUSING HEIGHT | | | | | | | | | | | | |
| | | .199 | | .238 | | .258 | | .297 | | .297 | | |
| POSITION | DIM M | MATERIAL NO | MATERIAL NO | MATERIAL NO | MATERIAL NO | MATERIAL NO | MATERIAL NO | MATERIAL NO | MATERIAL NO | MATERIAL NO | MATERIAL NO | |
| 19 | 1.232 | 45971-0113 | 45971-0213 | 45971-0313 | 45971-0413 | 45971-0513 | 45971-0613 | 45971-0713 | 45971-0813 | 45971-0913 | 45971-1013 | |
| 10 | 0.782 | 45971-1113 | 45971-1213 | 45971-1313 | 45971-1413 | 45971-1513 | 45971-1613 | 45971-1713 | 45971-1813 | 45971-1913 | 45971-2013 | |
| 20 | 1.282 | 45971-2113 | 45971-2213 | 45971-2313 | 45971-2413 | 45971-2513 | 45971-2613 | 45971-2713 | 45971-2813 | 45971-2913 | 45971-3013 | |
| 30 | 1.782 | 45971-3113 | 45971-3213 | 45971-3313 | 45971-3413 | 45971-3513 | 45971-3613 | 45971-3713 | 45971-3813 | 45971-3913 | 45971-4013 | |
| 40 | 2.282 | 45971-4113 | 45971-4213 | 45971-4313 | 45971-4413 | 45971-4513 | 45971-4613 | 45971-4713 | 45971-4813 | 45971-4913 | 45971-5013 | |
| 50 | 2.782 | 45971-5113 | 45971-5213 | 45971-5313 | 45971-5413 | 45971-5513 | 45971-5613 | 45971-5713 | 45971-5813 | 45971-5913 | 45971-6013 | |
| 15 | 1.032 | 45971-6113 | 45971-6213 | 45971-6313 | 45971-6413 | 45971-6513 | 45971-6613 | 45971-6713 | 45971-6813 | 45971-6913 | 45971-7013 | |
| 25 | 1.532 | 45971-7113 | 45971-7213 | 45971-7313 | 45971-7413 | 45971-7513 | 45971-7613 | 45971-7713 | 45971-7813 | 45971-7913 | 45971-8013 | |
| 35 | 2.032 | 45971-8113 | 45971-8213 | 45971-8313 | 45971-8413 | 45971-8513 | 45971-8613 | 45971-8713 | 45971-8813 | 45971-8913 | 45971-9013 | |
| 45 | 2.532 | 45971-9113 | 45971-9213 | 45971-9313 | 45971-9413 | 45971-9513 | 45971-9613 | 45971-9713 | 45971-9813 | 45971-9913 | 45971-10013 | |

| 6 | | 5 | | 4 | | 3 | | 2 | | 1 | | |
|-----------------------------|-------|-------------|-------------|-------------|-------------|-------------|-------------|-------------|-------------|-------------|-------------|--|
| DIM R: (REF) | | 5.0 MM | | 6.0 MM | | 6.5 MM | | 7.5 MM | | 8.0 MM | | STACK HEIGHTS GIVEN IN METRIC FOR REF ONLY |
| DIM R: HOUSING HEIGHT | | | | | | | | | | | | |
| | | .199 | | .238 | | .258 | | .297 | | .297 | | |
| POSITION | DIM M | MATERIAL NO | MATERIAL NO | MATERIAL NO | MATERIAL NO | MATERIAL NO | MATERIAL NO | MATERIAL NO | MATERIAL NO | MATERIAL NO | MATERIAL NO | |
| 19 | 1.232 | 45971-0117 | 45971-0217 | 45971-0317 | 45971-0417 | 45971-0517 | 45971-0617 | 45971-0717 | 45971-0817 | 45971-0917 | 45971-1017 | |
| 10 | 0.782 | 45971-1117 | 45971-1217 | 45971-1317 | 45971-1417 | 45971-1517 | 45971-1617 | 45971-1717 | 45971-1817 | 45971-1917 | 45971-2017 | |
| 20 | 1.282 | 45971-2117 | 45971-2217 | 45971-2317 | 45971-2417 | 45971-2517 | 45971-2617 | 45971-2717 | 45971-2817 | 45971-2917 | 45971-3017 | |
| 30 | 1.782 | 45971-3117 | 45971-3217 | 45971-3317 | 45971-3417 | 45971-3517 | 45971-3617 | 45971-3717 | 45971-3817 | 45971-3917 | 45971-4017 | |
| 40 | 2.282 | 45971-4117 | 45971-4217 | 45971-4317 | 45971-4417 | 45971-4517 | 45971-4617 | 45971-4717 | 45971-4817 | 45971-4917 | 45971-5017 | |
| 50 | 2.782 | 45971-5117 | 45971-5217 | 45971-5317 | 45971-5417 | 45971-5517 | 45971-5617 | 45971-5717 | 45971-5817 | 45971-5917 | 45971-6017 | |
| 15 | 1.032 | 45971-6117 | 45971-6217 | 45971-6317 | 45971-6417 | 45971-6517 | 45971-6617 | 45971-6717 | 45971-6817 | 45971-6917 | 45971-7017 | |
| 25 | 1.532 | 45971-7117 | 45971-7217 | 45971-7317 | 45971-7417 | 45971-7517 | 45971-7617 | 45971-7717 | 45971-7817 | 45971-7917 | 45971-8017 | |
| 35 | 2.032 | 45971-8117 | 45971-8217 | 45971-8317 | 45971-8417 | 45971-8517 | 45971-8617 | 45971-8717 | 45971-8817 | 45971-8917 | 45971-9017 | |
| 45 | 2.532 | 45971-9117 | 45971-9217 | 45971-9317 | 45971-9417 | 45971-9517 | 45971-9617 | 45971-9717 | 45971-9817 | 45971-9917 | 45971-10017 | |


NOTES:
 1. THIS SHEET CONTAINS THE FOLLOWING OPTIONS
 NO OF ROWS: 10
 SOLDER CHARGE: TIN / LEAD
 PACKAGING: TRAYS AND TAPE AND REEL

| | | | | | | | | | | |
|--|--------------------|---------------------------------------|------------------|-------------------------------------|---|---------------------|--|------------------------|--|--|
| SEE SHEET 1 EC NO: UCP2010-2270 DRWN: TGREGORI 2010/03/05 CH'KD: JCOMERCI 2005/05/17 APPR: JCOMERCI 2010/03/05 | DESCRIPTION REV | GENERAL TOLERANCES (UNLESS SPECIFIED) | | DIMENSION STYLE INCH ONLY | | SCALE 1:1 | DESIGN UNITS INCH | THIRD ANGLE PROJECTION | | |
| | | | mm | INCH | DRAWN BY TGREGORI | DATE 2005/05/17 | TITLE SEARAY RECEPTACLE ASSEMBLY .050 CENTERS MOLEX INCORPORATED DOCUMENT NO. SD-45971-001 | | | |
| | | 4 PLACES | ± .005 | ± .005 | CHECKED BY JCOMERCI | DATE 2005/05/17 | | | | |
| | | 3 PLACES | ± .005 | ± .005 | APPROVED BY JCOMERCI | DATE 2010/03/05 | | | | |
| | | 2 PLACES | ± .005 | ± .005 | MATERIAL NO. | | | | | |
| 1 PLACE | ± .005 | ± .005 | ANGULAR ± .005° | | SEE CHART | | SHEET NO. 8 OF 10 | | | |
| DRAFT WHERE APPLICABLE MUST REMAIN WITHIN DIMENSIONS | | | SIZE A | | THIS DRAWING CONTAINS INFORMATION THAT IS PROPRIETARY TO MOLEX INCORPORATED AND SHOULD NOT BE USED WITHOUT WRITTEN PERMISSION | | | | | |

| 6 | | 5 | | 4 | | 3 | | 2 | | 1 | | |
|-----------------------------|-------|-------------|-------------|-------------|-------------|-------------|-------------|-------------|-------------|-------------|--|--|
| DIM R: (REF) | | 5.0 MM | | 6.0 MM | | 6.5 MM | | 7.5 MM | | 8.0 MM | | STACK HEIGHTS GIVEN IN METRIC FOR REF ONLY |
| DIM R: HOUSING HEIGHT | | | | | | | | | | | | |
| | | .199 | | .238 | | .258 | | .297 | | .297 | | |
| POSITION | DIM M | MATERIAL NO | MATERIAL NO | MATERIAL NO | MATERIAL NO | MATERIAL NO | MATERIAL NO | MATERIAL NO | MATERIAL NO | MATERIAL NO | | |
| 19 | 1.232 | 45971-0121 | 45971-0221 | 45971-0321 | 45971-0421 | 45971-0521 | 45971-0521 | 45971-0521 | 45971-0521 | 45971-0521 | | |
| 10 | 0.782 | 45971-1121 | 45971-1221 | 45971-1321 | 45971-1421 | 45971-1521 | 45971-1521 | 45971-1521 | 45971-1521 | 45971-1521 | | |
| 20 | 1.282 | 45971-2121 | 45971-2221 | 45971-2321 | 45971-2421 | 45971-2521 | 45971-2521 | 45971-2521 | 45971-2521 | 45971-2521 | | |
| 30 | 1.782 | 45971-3121 | 45971-3221 | 45971-3321 | 45971-3421 | 45971-3521 | 45971-3521 | 45971-3521 | 45971-3521 | 45971-3521 | | |
| 40 | 2.282 | 45971-4121 | 45971-4221 | 45971-4321 | 45971-4421 | 45971-4521 | 45971-4521 | 45971-4521 | 45971-4521 | 45971-4521 | | |
| 50 | 2.782 | 45971-5121 | 45971-5221 | 45971-5321 | 45971-5421 | 45971-5521 | 45971-5521 | 45971-5521 | 45971-5521 | 45971-5521 | | |
| 15 | 1.032 | 45971-6121 | 45971-6221 | 45971-6321 | 45971-6421 | 45971-6521 | 45971-6521 | 45971-6521 | 45971-6521 | 45971-6521 | | |
| 25 | 1.532 | 45971-7121 | 45971-7221 | 45971-7321 | 45971-7421 | 45971-7521 | 45971-7521 | 45971-7521 | 45971-7521 | 45971-7521 | | |
| 35 | 2.032 | 45971-8121 | 45971-8221 | 45971-8321 | 45971-8421 | 45971-8521 | 45971-8521 | 45971-8521 | 45971-8521 | 45971-8521 | | |
| 45 | 2.532 | 45971-9121 | 45971-9221 | 45971-9321 | 45971-9421 | 45971-9521 | 45971-9521 | 45971-9521 | 45971-9521 | 45971-9521 | | |

| 6 | | 5 | | 4 | | 3 | | 2 | | 1 | | |
|-----------------------------|-------|-------------|-------------|-------------|-------------|-------------|-------------|-------------|-------------|-------------|--|--|
| DIM R: (REF) | | 5.0 MM | | 6.0 MM | | 6.5 MM | | 7.5 MM | | 8.0 MM | | STACK HEIGHTS GIVEN IN METRIC FOR REF ONLY |
| DIM R: HOUSING HEIGHT | | | | | | | | | | | | |
| | | .199 | | .238 | | .258 | | .297 | | .297 | | |
| POSITION | DIM M | MATERIAL NO | MATERIAL NO | MATERIAL NO | MATERIAL NO | MATERIAL NO | MATERIAL NO | MATERIAL NO | MATERIAL NO | MATERIAL NO | | |
| 19 | 1.232 | 45971-0125 | 45971-0225 | 45971-0325 | 45971-0425 | 45971-0525 | 45971-0525 | 45971-0525 | 45971-0525 | 45971-0525 | | |
| 10 | 0.782 | 45971-1125 | 45971-1225 | 45971-1325 | 45971-1425 | 45971-1525 | 45971-1525 | 45971-1525 | 45971-1525 | 45971-1525 | | |
| 20 | 1.282 | 45971-2125 | 45971-2225 | 45971-2325 | 45971-2425 | 45971-2525 | 45971-2525 | 45971-2525 | 45971-2525 | 45971-2525 | | |
| 30 | 1.782 | 45971-3125 | 45971-3225 | 45971-3325 | 45971-3425 | 45971-3525 | 45971-3525 | 45971-3525 | 45971-3525 | 45971-3525 | | |
| 40 | 2.282 | 45971-4125 | 45971-4225 | 45971-4325 | 45971-4425 | 45971-4525 | 45971-4525 | 45971-4525 | 45971-4525 | 45971-4525 | | |
| 50 | 2.782 | 45971-5125 | 45971-5225 | 45971-5325 | 45971-5425 | 45971-5525 | 45971-5525 | 45971-5525 | 45971-5525 | 45971-5525 | | |
| 15 | 1.032 | 45971-6125 | 45971-6225 | 45971-6325 | 45971-6425 | 45971-6525 | 45971-6525 | 45971-6525 | 45971-6525 | 45971-6525 | | |
| 25 | 1.532 | 45971-7125 | 45971-7225 | 45971-7325 | 45971-7425 | 45971-7525 | 45971-7525 | 45971-7525 | 45971-7525 | 45971-7525 | | |
| 35 | 2.032 | 45971-8125 | 45971-8225 | 45971-8325 | 45971-8425 | 45971-8525 | 45971-8525 | 45971-8525 | 45971-8525 | 45971-8525 | | |
| 45 | 2.532 | 45971-9125 | 45971-9225 | 45971-9325 | 45971-9425 | 45971-9525 | 45971-9525 | 45971-9525 | 45971-9525 | 45971-9525 | | |


NOTES:
 1. THIS SHEET CONTAINS THE FOLLOWING OPTIONS
 NO OF ROWS: 12
 SOLDER CHARGE: TIN
 PACKAGING: TRAYS AND TAPE AND REEL

| | | | | | | | | | | |
|--|-------------|---------------------------------------|----------------|-------------------------------------|--|---------------------|---|------------------------|--|--|
| SEE SHEET 1 EC NO: UCP2010-2270 DRWN: TGREGORI 2010/03/05 CH'KD: JCOMERCI 2005/05/17 APPR: JCOMERCI 2010/03/05 | DESCRIPTION | GENERAL TOLERANCES (UNLESS SPECIFIED) | | DIMENSION STYLE INCH ONLY | | SCALE 3:1 | DESIGN UNITS INCH | THIRD ANGLE PROJECTION | | |
| | | | mm | INCH | DRAWN BY TGREGORI | DATE 2005/05/17 | TITLE SEARAY RECEPTACLE ASSEMBLY .050 CENTERS | | | |
| | | 4 PLACES | ± --- | ± --- | CHECKED BY JCOMERCI | DATE 2005/05/17 | | | | |
| | | 3 PLACES | ± --- | ± .005 | APPROVED BY JCOMERCI | DATE 2010/03/05 |  MOLEX INCORPORATED DOCUMENT NO. SD-45971-001 | | | |
| 2 PLACES | ± --- | ± --- | MATERIAL NO. | | SHEET NO. 9 OF 10 | | | | | |
| 1 PLACE | ± --- | ± --- | ANGULAR ± ---° | | DRAFT WHERE APPLICABLE MUST REMAIN WITHIN DIMENSIONS SEE CHART | | THIS DRAWING CONTAINS INFORMATION THAT IS PROPRIETARY TO MOLEX INCORPORATED AND SHOULD NOT BE USED WITHOUT WRITTEN PERMISSION | | | |

| 6 | | 5 | | 4 | | 3 | | 2 | | 1 | | |
|-----------------------------|-------|-------------|-------------|-------------|-------------|-------------|-------------|-------------|-------------|-------------|--|--|
| DIM R: (REF) | | 5.0 MM | | 6.0 MM | | 6.5 MM | | 7.5 MM | | 8.0 MM | | STACK HEIGHTS GIVEN IN METRIC FOR REF ONLY |
| DIM R: HOUSING HEIGHT | | | | | | | | | | | | |
| | | .199 | | .238 | | .258 | | .297 | | .297 | | |
| POSITION | DIM M | MATERIAL NO | MATERIAL NO | MATERIAL NO | MATERIAL NO | MATERIAL NO | MATERIAL NO | MATERIAL NO | MATERIAL NO | MATERIAL NO | | |
| 19 | 1.232 | 45971-0123 | 45971-0223 | 45971-0323 | 45971-0423 | 45971-0523 | 45971-0623 | 45971-0723 | 45971-0823 | 45971-0923 | | |
| 10 | 0.782 | 45971-1123 | 45971-1223 | 45971-1323 | 45971-1423 | 45971-1523 | 45971-1623 | 45971-1723 | 45971-1823 | 45971-1923 | | |
| 20 | 1.282 | 45971-2123 | 45971-2223 | 45971-2323 | 45971-2423 | 45971-2523 | 45971-2623 | 45971-2723 | 45971-2823 | 45971-2923 | | |
| 30 | 1.782 | 45971-3123 | 45971-3223 | 45971-3323 | 45971-3423 | 45971-3523 | 45971-3623 | 45971-3723 | 45971-3823 | 45971-3923 | | |
| 40 | 2.282 | 45971-4123 | 45971-4223 | 45971-4323 | 45971-4423 | 45971-4523 | 45971-4623 | 45971-4723 | 45971-4823 | 45971-4923 | | |
| 50 | 2.782 | 45971-5123 | 45971-5223 | 45971-5323 | 45971-5423 | 45971-5523 | 45971-5623 | 45971-5723 | 45971-5823 | 45971-5923 | | |
| 15 | 1.032 | 45971-6123 | 45971-6223 | 45971-6323 | 45971-6423 | 45971-6523 | 45971-6623 | 45971-6723 | 45971-6823 | 45971-6923 | | |
| 25 | 1.532 | 45971-7123 | 45971-7223 | 45971-7323 | 45971-7423 | 45971-7523 | 45971-7623 | 45971-7723 | 45971-7823 | 45971-7923 | | |
| 35 | 2.032 | 45971-8123 | 45971-8223 | 45971-8323 | 45971-8423 | 45971-8523 | 45971-8623 | 45971-8723 | 45971-8823 | 45971-8923 | | |
| 45 | 2.532 | 45971-9123 | 45971-9223 | 45971-9323 | 45971-9423 | 45971-9523 | 45971-9623 | 45971-9723 | 45971-9823 | 45971-9923 | | |

| 6 | | 5 | | 4 | | 3 | | 2 | | 1 | | |
|-----------------------------|-------|-------------|-------------|-------------|-------------|-------------|-------------|-------------|-------------|-------------|--|--|
| DIM R: (REF) | | 5.0 MM | | 6.0 MM | | 6.5 MM | | 7.5 MM | | 8.0 MM | | STACK HEIGHTS GIVEN IN METRIC FOR REF ONLY |
| DIM R: HOUSING HEIGHT | | | | | | | | | | | | |
| | | .199 | | .238 | | .258 | | .297 | | .297 | | |
| POSITION | DIM M | MATERIAL NO | MATERIAL NO | MATERIAL NO | MATERIAL NO | MATERIAL NO | MATERIAL NO | MATERIAL NO | MATERIAL NO | MATERIAL NO | | |
| 19 | 1.232 | 45971-0127 | 45971-0227 | 45971-0327 | 45971-0427 | 45971-0527 | 45971-0627 | 45971-0727 | 45971-0827 | 45971-0927 | | |
| 10 | 0.782 | 45971-1127 | 45971-1227 | 45971-1327 | 45971-1427 | 45971-1527 | 45971-1627 | 45971-1727 | 45971-1827 | 45971-1927 | | |
| 20 | 1.282 | 45971-2127 | 45971-2227 | 45971-2327 | 45971-2427 | 45971-2527 | 45971-2627 | 45971-2727 | 45971-2827 | 45971-2927 | | |
| 30 | 1.782 | 45971-3127 | 45971-3227 | 45971-3327 | 45971-3427 | 45971-3527 | 45971-3627 | 45971-3727 | 45971-3827 | 45971-3927 | | |
| 40 | 2.282 | 45971-4127 | 45971-4227 | 45971-4327 | 45971-4427 | 45971-4527 | 45971-4627 | 45971-4727 | 45971-4827 | 45971-4927 | | |
| 50 | 2.782 | 45971-5127 | 45971-5227 | 45971-5327 | 45971-5427 | 45971-5527 | 45971-5627 | 45971-5727 | 45971-5827 | 45971-5927 | | |
| 15 | 1.032 | 45971-6127 | 45971-6227 | 45971-6327 | 45971-6427 | 45971-6527 | 45971-6627 | 45971-6727 | 45971-6827 | 45971-6927 | | |
| 25 | 1.532 | 45971-7127 | 45971-7227 | 45971-7327 | 45971-7427 | 45971-7527 | 45971-7627 | 45971-7727 | 45971-7827 | 45971-7927 | | |
| 35 | 2.032 | 45971-8127 | 45971-8227 | 45971-8327 | 45971-8427 | 45971-8527 | 45971-8627 | 45971-8727 | 45971-8827 | 45971-8927 | | |
| 45 | 2.532 | 45971-9127 | 45971-9227 | 45971-9327 | 45971-9427 | 45971-9527 | 45971-9627 | 45971-9727 | 45971-9827 | 45971-9927 | | |

NOTES:
 1. THIS SHEET CONTAINS THE FOLLOWING OPTIONS
 NO OF ROWS: 12
 SOLDER CHARGE: TIN / LEAD
 PACKAGING: TRAYS AND TAPE AND REEL

| | | | | | | | | | |
|--|---------------------------------------|--|--|---------------|---|---|------------------------|--|--|
| SEE SHEET 1 EC NO: UCP2010-2270 DRWN: TGREGOR I 2010/03/05 CHKD: JCOMERC I 2005/05/17 APPR: JCOMERC I 2010/03/05 DESCRIPTION REV | GENERAL TOLERANCES (UNLESS SPECIFIED) | | DIMENSION STYLE INCH ONLY | | SCALE 1:1 | DESIGN UNITS INCH | THIRD ANGLE PROJECTION | | |
| | 4 PLACES ± --- ± --- | | DRAWN BY DATE TGREGOR I 2005/05/17 | | TITLE SEARAY RECEPTACLE ASSEMBLY .050 CENTERS | | | | |
| | 3 PLACES ± --- ± .005 | | CHECKED BY DATE JCOMERC I 2005/05/17 | | | | | | |
| | 2 PLACES ± --- ± --- | | APPROVED BY DATE JCOMERC I 2010/03/05 | |  MOLEX INCORPORATED DOCUMENT NO. SD-45971-001 SHEET NO. 10 OF 10 | | | | |
| 1 PLACE ± --- ± --- | | MATERIAL NO. | | | | | | | |
| ANGULAR ± ---° | | DRAFT WHERE APPLICABLE MUST REMAIN WITHIN DIMENSIONS | | SIZE A | | THIS DRAWING CONTAINS INFORMATION THAT IS PROPRIETARY TO MOLEX INCORPORATED AND SHOULD NOT BE USED WITHOUT WRITTEN PERMISSION | | | |