

PLEASE CHECK WWW.MOLEX.COM FOR LATEST PART INFORMATION

Part Number: [0511120300](#)
Status: **Active**
Description: 2.50mm (.098") Pitch Wire-to-Wire Plug Housing, With Retainer and Optional Panel Mount, 3 Circuits

Documents:

[Drawing \(PDF\)](#) [RoHS Certificate of Compliance \(PDF\)](#)
[Product Specification PS-51111-001 \(PDF\)](#)

Agency Certification

CSA LR19980
 UL E29179

General

Product Family Crimp Housings
 Series [51112](#)
 Product Name N/A

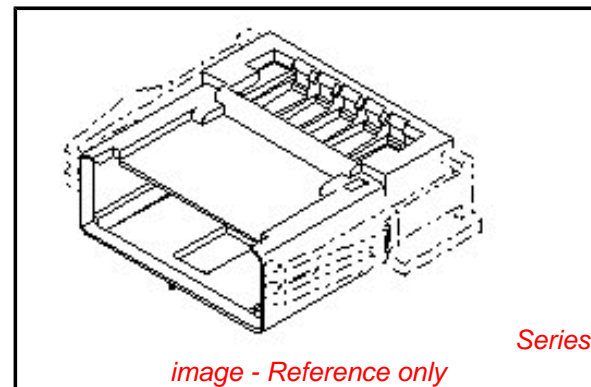
Physical

Circuits (maximum) 3
 Color - Resin Natural
 Flammability 94V-0
 Gender Male
 Glow-Wire Compliant No
 Material - Resin Polyester
 Number of Rows 1
 Packaging Type Bag
 Panel Mount No
 Pitch - Mating Interface (in) 0.098 In
 Pitch - Mating Interface (mm) 2.50 mm
 Stackable No
 Temperature Range - Operating -40°C to +105°C

Material Info

Reference - Drawing Numbers

Product Specification PS-51111-001, RPS-51111-007
 Sales Drawing SD-51112-003



EU RoHS

ELV and RoHS Compliant
REACH SVHC Contains SVHC: No
Halogen-Free Status

China RoHS



Not Halogen-Free

Need more information on product environmental compliance?

Email productcompliance@molex.com
 For a multiple part number RoHS Certificate of Compliance, [click here](#)

Please visit the [Contact Us](#) section for any non-product compliance questions.

Search Parts in this Series

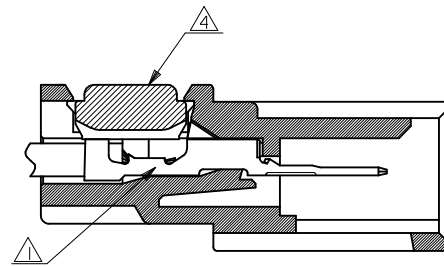
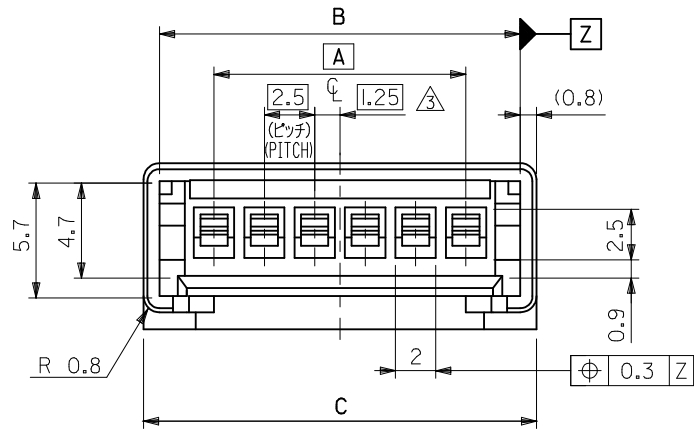
[51112Series](#)

Mates With

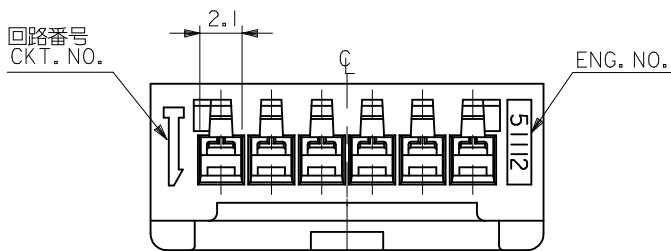
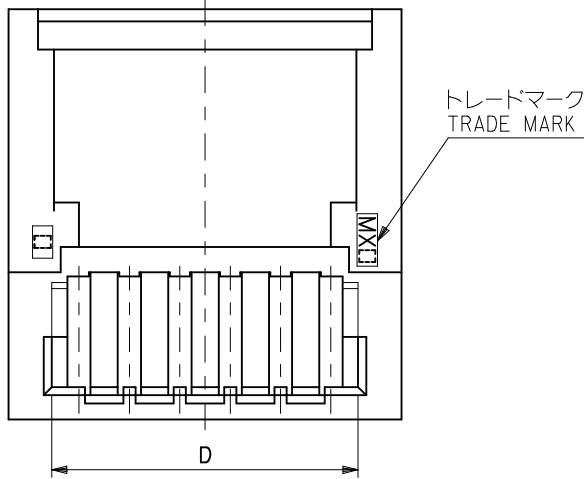
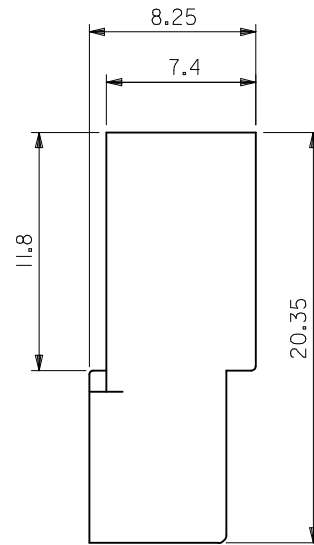
[51111](#) , [51111wr](#)

Use With

[50398](#) , [51113](#)



ターミナル及びリテーナー装着状態図
TERMINAL & RETAINER ASSEMBLY DRAWING



材料
MATERIAL PBTP, UL94V-0
(白色 WHITE)

注記 NOTES

- △ 適合ターミナル：50398シリーズ
APPLICABLE TERMINAL：50398 SERIES
- 2. 嵌合相手：51113シリーズ
MATE WITH：51113 SERIES
- △ 偶数極の製品に適用。
APPLY EVEN CIRCUIT PRODUCTS.
- △ 適合リテーナー：51113シリーズ
APPLICABLE RETAINER：51113 SERIES

37.45	42	40.4	35	51112-1500	15
29.95	34.5	32.9	27.5	↑ -1200	12
22.45	27	25.4	20	-0900	9
19.95	24.5	22.9	17.5	-0800	8
17.45	22	20.4	15	-0700	7
14.95	19.5	17.9	12.5	-0600	6
12.45	17	15.4	10	-0500	5
9.95	14.5	12.9	7.5	-0400	4
7.45	12	10.4	5	↓ -0300	3
4.95	9.5	7.9	2.5	51112-0200	2
D	C	B	A	ENG. NO.	NO. OF CKT.

REVISED EC NO: J2009-1394 DRWN: YOSHIDAM 2008/12/18 CHKD: THARUYAMA 2008/12/18 APPR: NUKITA 2009/01/15	GENERAL TOLERANCES (UNLESS SPECIFIED)		DIMENSION STYLE MM ONLY	SCALE 4:1	DESIGN UNITS METRIC	THIRD ANGLE PROJECTION
	10 UNDER	±0.2	DRAWN BY K. TOJO	DATE '94/02/02	TITLE 2.5 W/W CONN PLUG HSG WITH RETAINER	
	10 OVER 30 UNDER	±0.25	CHECKED BY S. KUNISHI	DATE '94/06/22	MOLEX INCORPORATED	
	30 OVER	±0.3	APPROVED BY M. FUKUSHIMA	DATE '94/06/22	DOCUMENT NO. SD-5112-003	SHEET NO. 1 OF 1
REV	DESCRIPTION	ANGULAR ±3 °	MATERIAL NO.	SEE TABLE THIS DRAWING CONTAINS INFORMATION THAT IS PROPRIETARY TO MOLEX INCORPORATED AND SHOULD NOT BE USED WITHOUT WRITTEN PERMISSION		
		DRAFT WHERE APPLICABLE MUST REMAIN WITHIN DIMENSIONS	SIZE A3			