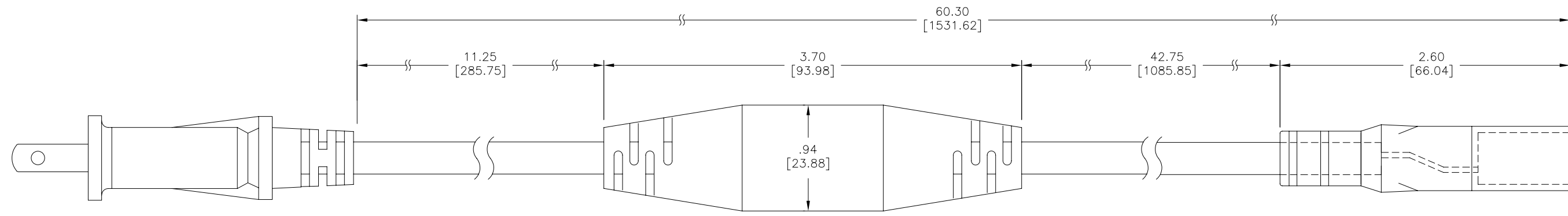
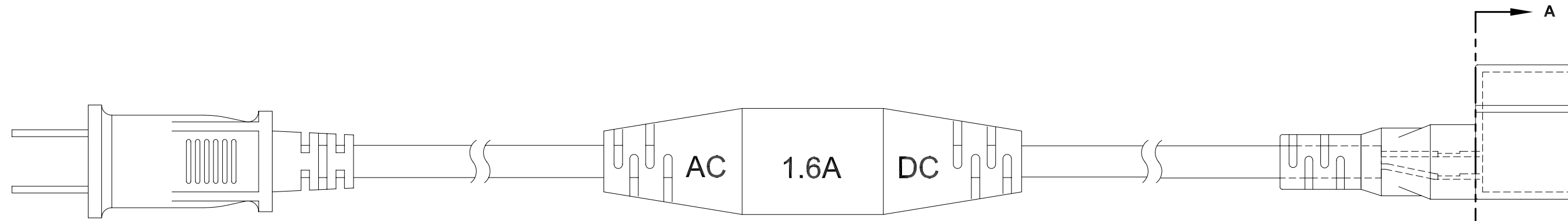


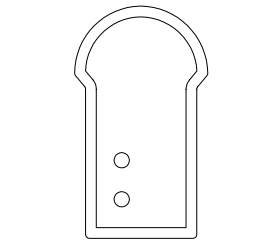
LTR	REVISION	DATE	APPD
-	RELEASED	10-26-07	



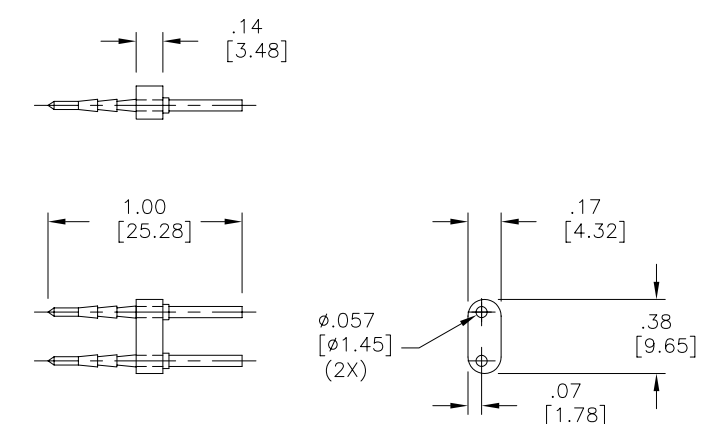
**TOP VIEW**



**SIDE VIEW**



**SECTION A-A VIEW**



**PIN CONNECTOR**



REVISION NOTIFICATION	
<input type="checkbox"/>	PMA
<input type="checkbox"/>	UL
<input type="checkbox"/>	CUSTOMER _____
<input type="checkbox"/>	OTHER

NOTES:  
 1. MATERIAL: PVC, UV PROTECTED  
 2. COLOR: WHITE / TRANSPARENT  
 INDOOR/OUTDOOR USE.

 LED TRONICS, INC. 23105 KASHIWA COURT TORRANCE, CA 90505	<b>-PROPRIETARY-</b> This document contains Proprietary information of LEDTRONICS, INC. It may not be copied, used or disclosed for any purpose without the prior express written consent of LEDTRONICS, INC.		<b>TITLE</b> RNLD03U-3PC-001			
	DWG NO RL010015-REC	SCALE 1:1	SHEET 1 OF 1	DATE 11-25-08		CUSTOMER
	CODE IDENT NO. 8Z410	DWG BY NJL	CHK BY PL 12-01-08	QA MFG	CUSTOMER	