

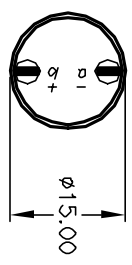
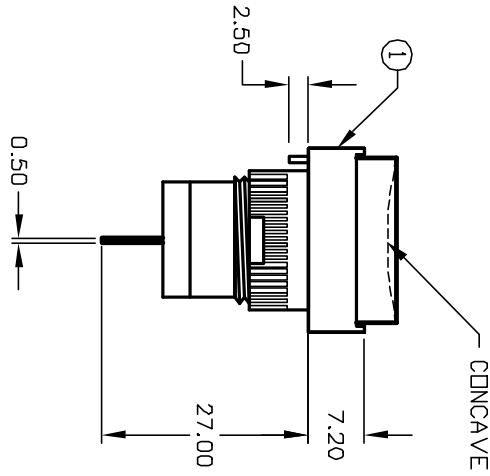
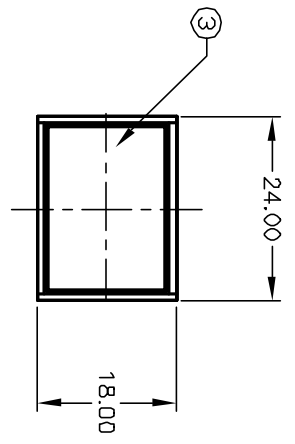
RECOMMENDED PANEL MOUNTING

SCALE 1:1

α-L-b (+)

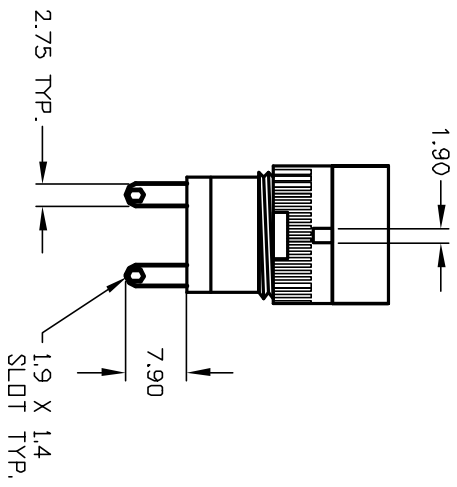
CIRCUIT: PILOT INDICATOR

- NOTES:
1. ALL DIMENSIONS IN MM
  2. GENERAL TOLERANCE: X.X=±0.4  
X.XX=±0.25
  3. RATINGS: 1A, 2A, 4A, 5A @250V AC  
6V AC/DC 40Ma (INCANDESCENT BULB)
  4. CONTACT MATERIAL: COPPER ALLOY W/Silver Plating



PARTS LIST

ITEM	QTY.	PART NO.	PART DESCRIPTION
1	1	F040001	L16 PL T1 00
2	1	F050401	50-004-01 (Incandescent bulb)
3	1	F050202	50-002-02 (GRN lens)



**E-SWITCH®**

TITLE L16 PL T10 M GRN

REV.	ECN No.	DESCRIPTION	DATE	CHKD
A	13197	RELEASE FOR PRODUCTION	6/10/03	AR

SCALE	DATE	DR	DWG	REV
1:1	6/10/03	AR	XF0255P	A

THE INFORMATION CONTAINED IN THIS DOCUMENT IS PROPRIETARY TO E-SWITCH AND IS NOT TO BE COPIED OR TRANSFERRED