

PLEASE CHECK WWW.MOLEX.COM FOR LATEST PART INFORMATION

Part Number: [0879853040](#)
Status: **Active**
Description: 2.00mm (.079") Pitch Milli-Grid™ Cable-to-Board Receptacle, Dual Row, IDT, Center Polarization Key, 40 Circuits, 0.38mm (.015") Gold (Au) Selective Plating, Metal Latch, Lead-free, Tray

Documents:

[3D Model](#) [Product Specification PS-87985-026 \(PDF\)](#)
[Drawing \(PDF\)](#) [RoHS Certificate of Compliance \(PDF\)](#)

Agency Certification

CSA LR 19980
 UL E29179

General

Product Family IDT and Solder Connectors
 Series [87985](#)
 Crimp Quality Equipment Yes
 Product Name Milli-Grid™
 Use With [87569-1030](#) Strain Relief (Optional)

Physical

Circuits (Loaded) 40
 Durability (mating cycles max) 30
 Flammability 94V-0
 Gender Female
 Glow-Wire Compliant No
 Lock to Mating Part Yes
 Material - Metal Beryllium Copper, Stainless Steel
 Number of Rows 2
 Packaging Type Tray
 Panel Mount No
 Pitch - Mating Interface (in) 0.079 In
 Pitch - Mating Interface (mm) 2.00 mm
 Polarized to Mating Part Yes
 Stackable No
 Temperature Range - Operating -40°C to +85°C
 Wire Size AWG 26, 28

Electrical

Current - Maximum per Contact 1A
 Voltage - Maximum 125V

Material Info

Reference - Drawing Numbers

Product Specification PS-87985-026
 Sales Drawing SD-87985-014

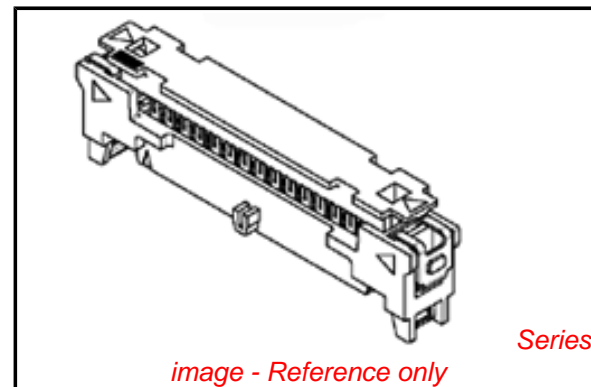


image - Reference only

EU RoHS

ELV and RoHS Compliant
REACH SVHC
 Not Reviewed
Halogen-Free Status
 Not Reviewed

China RoHS



Need more information on product environmental compliance?

Email productcompliance@molex.com
 For a multiple part number RoHS Certificate of Compliance, [click here](#)

Please visit the [Contact Us](#) section for any non-product compliance questions.

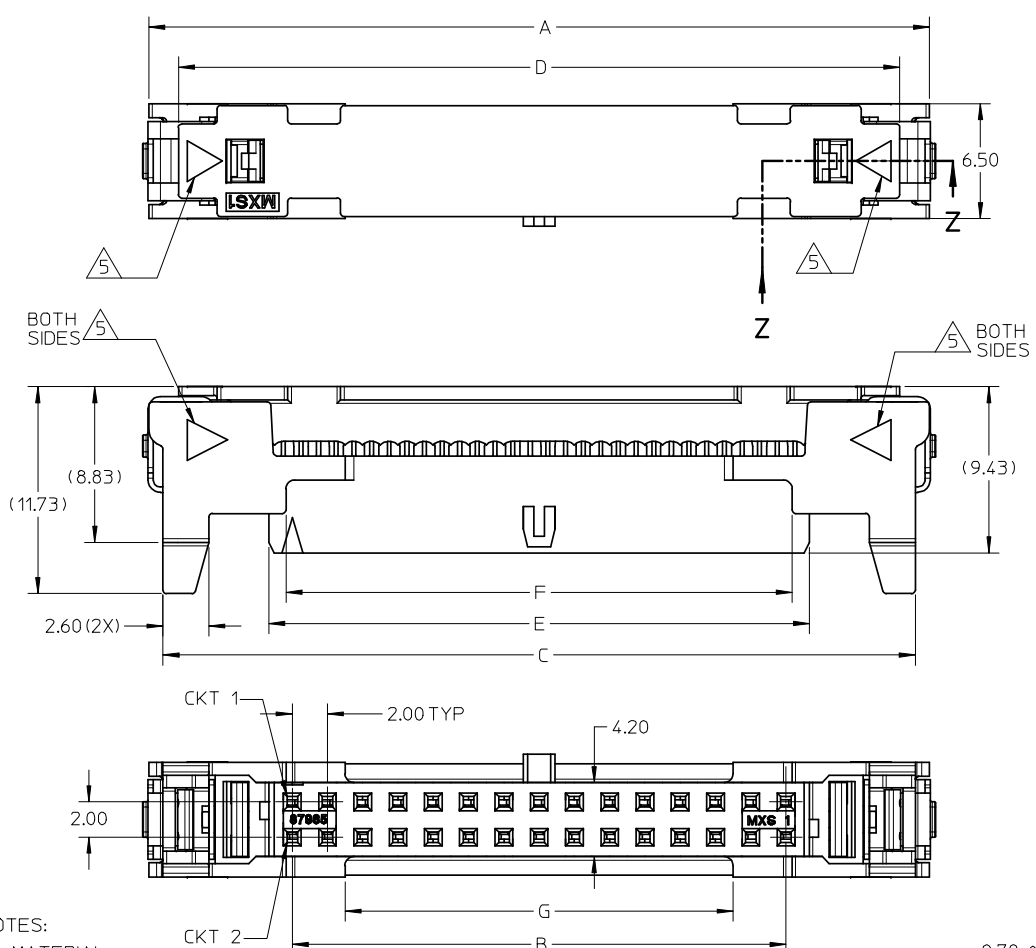
Search Parts in this Series

[87985Series](#)

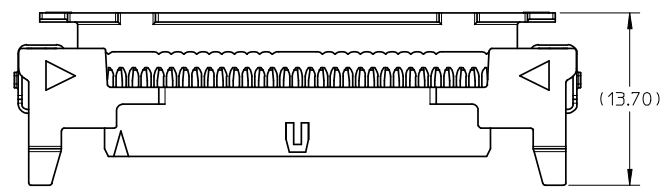
Mates With

[87981](#) Straddle Mount Milligrid Header, [87982](#) Vertical Milligrid Header, [87983](#) Surface Mount Milligrid Header, [87984](#) Right Angle Milligrid Header

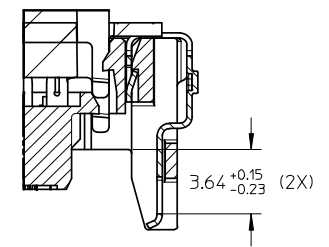
10 9 8 7 6 5 4 3 2 1



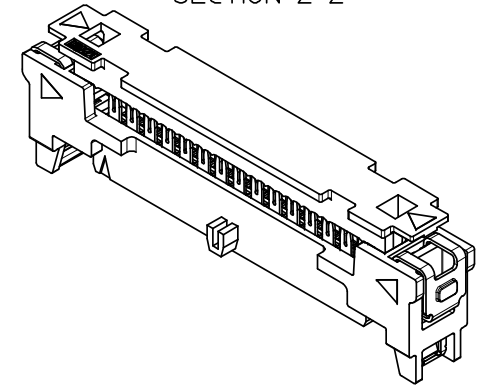
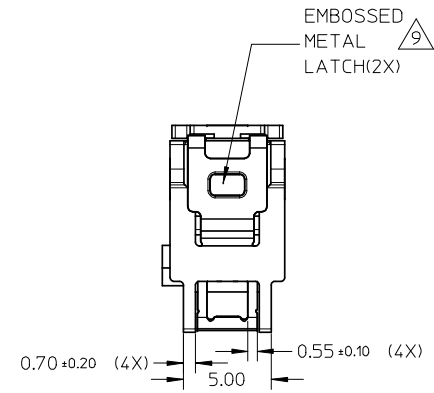
| ASSEMBLY P/N | CKT SIZE | DIMENSION | | | | | | |
|--------------|----------|-----------|-------|-------|-------|-------|-------|-------|
| | | A | B | C | D | E | F | G |
| 87985-3030 | 30 | 44.25 | 28.00 | 42.65 | 40.90 | 30.55 | 28.70 | 22.00 |
| 87985-3040 | 40 | 54.25 | 38.00 | 52.65 | 50.90 | 40.55 | 38.70 | 32.00 |
| 87985-3044 | 44 | 58.25 | 42.00 | 56.65 | 54.90 | 44.55 | 42.70 | 36.00 |
| 87985-3050 | 50 | 64.25 | 48.00 | 62.65 | 60.90 | 50.55 | 48.70 | 42.00 |



UPPER HOUSING IN OPEN POSITION



SECTION Z-Z



- NOTES:
- MATERIAL :
HOUSING : PBT, GLASS FILLED, UL94V-0, COLOR: GRAY, PANTONE CODE: COOL GRAY 8C (CLOSEST MATCH)
UPPER HOUSING: PA66, GLASS FILLED, UL94V-0, COLOR: GRAY, PANTONE CODE: COOL GRAY 8C (CLOSEST MATCH)
TERMINAL : COPPER ALLOY.
 - PLATING:
0.38μM GOLD IN CONTACT AREA AND 1.88μM TIN IN IDT AREA OVER 1.25μM NICKEL OVERALL
 - FOR ILLUSTRATION PURPOSES, 30 CIRCUIT SIZE WAFER IS SHOWN.
 - THIS IS A LEAD FREE PRODUCT.
 - BLUE COLOR PRINT, PANTONE CODE 300C
 - PRODUCT SPECIFICATION : PS-87985-026
 - PRODUCTS ARE PACKED IN TRAY.
 - PRODUCTS ARE MATED WITH 87981, 87982, 87983, 87984 SERIES.
 - LATCHES ARE NOT TO BE DEPRESSED DURING MATING.

| | | | | | | | | | |
|--|-------------------------------|---------------------------------------|-------|----------------------------|----------------------|---|------------------------------|---|--|
| REMOVE SERIES NO. EC NO: S2008-0476 DRWN:JTAN02 CHKD:BOKOK APPR:KCLING | QUALITY SYMBOLS ▽=0 ◻=0 | GENERAL TOLERANCES (UNLESS SPECIFIED) | | DIMENSION STYLE MM ONLY | | SCALE NTS | DESIGN UNITS METRIC | THIRD ANGLE PROJECTION | |
| | | mm | INCH | DRAWN BY YLQIAO | DATE 2005/07/01 | TITLE MGRID, 2.00 IDT RECEPT. W/EMBOSSSED METAL LATCH | | | |
| REV B | DESCRIPTION | 4 PLACES | ± --- | ± --- | CHECKED BY BOKOK | DATE 2005/07/13 | MOLEX INCORPORATED | | |
| | | 3 PLACES | ± --- | ± --- | APPROVED BY PTLIM | DATE 2005/07/13 | DOCUMENT NO. SD-87985-014 | | |
| DRAFT WHERE APPLICABLE MUST REMAIN WITHIN DIMENSIONS | | ANGULAR ± 3 ° | | SEE TABLE | | SHEET NO. 1 OF 1 | | THIS DRAWING CONTAINS INFORMATION THAT IS PROPRIETARY TO MOLEX INCORPORATED AND SHOULD NOT BE USED WITHOUT WRITTEN PERMISSION | |

9 8 7 6 5 4 3 2 1