

**PLEASE CHECK WWW.MOLEX.COM FOR LATEST PART INFORMATION**

**Part Number:** **0194330013**  
**Status:** **Active**  
**Overview:** mx150l sealed connector system  
**Description:** MX150L™ 2 Circuit Plug for 10-12 AWG Wire

**Documents:**

[3D Model](#) [Product Specification PS-19432-001 \(PDF\)](#)  
[Drawing \(PDF\)](#) [RoHS Certificate of Compliance \(PDF\)](#)

**Agency Certification**

CSA LR18689  
 UL E152602

**General**

Product Family Crimp Housings  
 Series 19433  
 Comments Mat Seal Color is Yellow, Polarized to Mating Part  
 Overview mx150l sealed connector system  
 Product Literature Order No 987650-2181  
 Product Name MX150L™

**Physical**

Circuits (maximum) 2  
 Circuits Detail 1x1  
 Flammability 94V-0  
 Gender Male  
 Glow-Wire Compliant No  
 Keying to Mating Part N/A  
 Lock to Mating Part Yes  
 Number of Rows 1  
 Packaging Type Bag  
 Panel Mount No  
 Pitch - Mating Interface (in) 0.230 In  
 Pitch - Mating Interface (mm) 5.84 mm  
 Polarized to Mating Part Yes  
 Stackable No  
 Temperature Range - Operating -40°C to +125°C

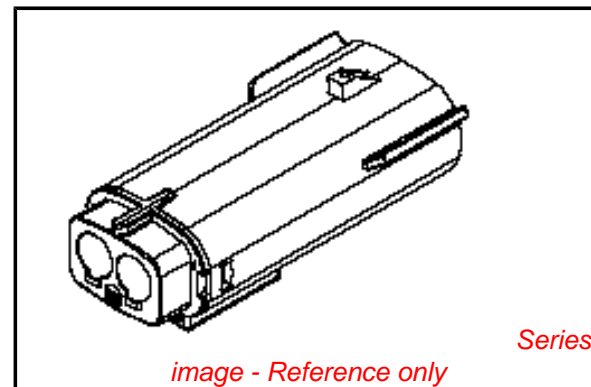
**Electrical**

Current - Maximum per Contact 18A

**Material Info**

**Reference - Drawing Numbers**

Packaging Specification PK-19433-001  
 Product Specification PS-19432-001  
 Sales Drawing SD-19433-001



**EU RoHS**

**ELV and RoHS  
 Compliant**  
**REACH SVHC**  
 Not Reviewed  
**Halogen-Free  
 Status**  
**Not Reviewed**

**China RoHS**



**Need more information on product  
 environmental compliance?**

Email [productcompliance@molex.com](mailto:productcompliance@molex.com)  
 For a multiple part number RoHS Certificate of  
 Compliance, [click here](#)

Please visit the [Contact Us](#) section for any  
 non-product compliance questions.

**Search Parts in this Series**

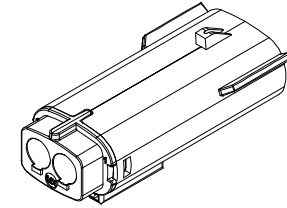
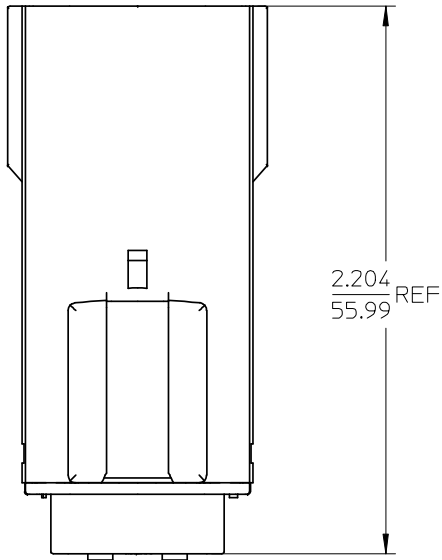
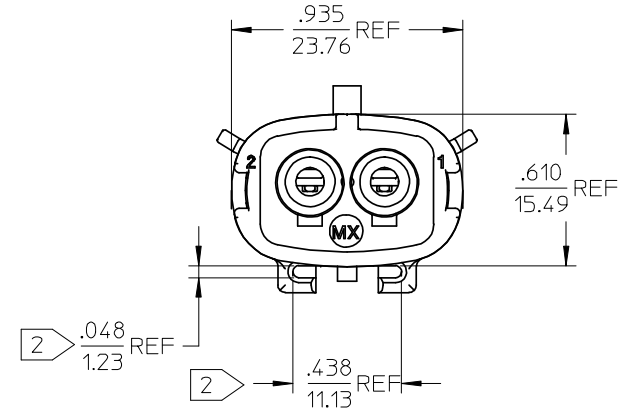
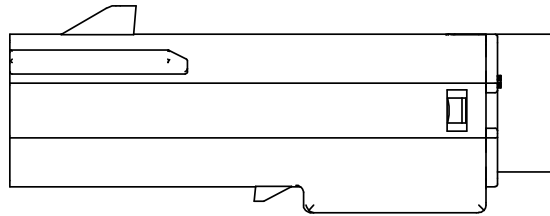
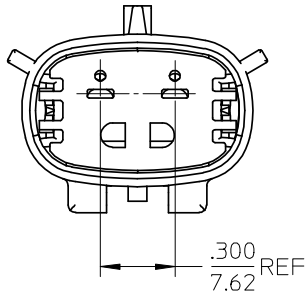
[19433Series](#)

**Mates With**

[19432-0013 Female Receptacle](#)

**Use With**

[19431 Male Terminal](#)



|                 |             |
|-----------------|-------------|
| 194330013       | 10-12       |
| 194330014       | 8           |
| MATERIAL NUMBER | UL WIRE AWG |

| <b>PRODUCT RELEASE</b><br>EC NO: ETC2005-0048<br>DRW: JPAWLICK 2004/10/29<br>CHKD: JPAWLICK 2004/10/29<br>APPR: RDEROSS 2004/10/29 | QUALITY SYMBOLS<br>▽=0<br>▽=0 | GENERAL TOLERANCES (UNLESS SPECIFIED)<br><table border="1"> <tr> <th></th> <th>mm</th> <th>INCH</th> </tr> <tr> <td>4 PLACES</td> <td>± .---</td> <td>± .---</td> </tr> <tr> <td>3 PLACES</td> <td>± .---</td> <td>± .015</td> </tr> <tr> <td>2 PLACES</td> <td>± 0.38</td> <td>± .---</td> </tr> <tr> <td>1 PLACE</td> <td>± .---</td> <td>± .---</td> </tr> </table> |                  | mm                                     | INCH                         | 4 PLACES            | ± .--- | ± .--- | 3 PLACES | ± .--- | ± .015 | 2 PLACES | ± 0.38 | ± .--- | 1 PLACE | ± .--- | ± .--- | DIMENSION STYLE<br>IN/MM | SCALE<br>1:1 | DESIGN UNITS<br>INCH | THIRD ANGLE PROJECTION |
|--|-------------------------------|--|------------------|--|------------------------------|---------------------|--------|--------|----------|--------|--------|----------|--------|--------|---------|--------|--------|--------------------------|--------------|----------------------|------------------------|
|  |                               | mm   | INCH             |  |                              |                     |        |        |          |        |        |          |        |        |         |        |        |                          |              |                      |                        |
|  | 4 PLACES                      | ± .---   | ± .---           |  |                              |                     |        |        |          |        |        |          |        |        |         |        |        |                          |              |                      |                        |
|  | 3 PLACES                      | ± .---   | ± .015           |  |                              |                     |        |        |          |        |        |          |        |        |         |        |        |                          |              |                      |                        |
| 2 PLACES   | ± 0.38                        | ± .---   |                  |  |                              |                     |        |        |          |        |        |          |        |        |         |        |        |                          |              |                      |                        |
| 1 PLACE  | ± .---                        | ± .---   |                  |  |                              |                     |        |        |          |        |        |          |        |        |         |        |        |                          |              |                      |                        |
| DRAWN BY<br>B. RUPERT  | DATE<br>04/09/29              | CHECKED BY<br>JPAWLICK   | DATE<br>04/09/29 | TITLE<br>2 WAY PLUG ASSEMBLY<br>MX250L |                              |                     |        |        |          |        |        |          |        |        |         |        |        |                          |              |                      |                        |
| APPROVED BY<br>R. DEROSS   | DATE<br>04/09/29              | MATERIAL NO.<br>SEE CHART  |                  |  | DOCUMENT NO.<br>SD-19433-001 | SHEET NO.<br>1 OF 1 |        |        |          |        |        |          |        |        |         |        |        |                          |              |                      |                        |
| DRAFT WHERE APPLICABLE<br>MUST REMAIN<br>WITHIN DIMENSIONS   |                               | THIS DRAWING CONTAINS INFORMATION THAT IS PROPRIETARY TO MOLEX INCORPORATED AND SHOULD NOT BE USED WITHOUT WRITTEN PERMISSION  |                  |  |                              |                     |        |        |          |        |        |          |        |        |         |        |        |                          |              |                      |                        |

- NOTES:
- ASSEMBLY PACKAGED PER PK-19433-001
  - USE CONNECTOR WITH MALE CRIMP TERMINAL: SERIES 19431.