

PLEASE CHECK WWW.MOLEX.COM FOR LATEST PART INFORMATION

Part Number: [0025022024](#)
Status: **Active**
Description: 2.54mm (.100") Pitch C-Grid® Header, Dual Row, Shrouded, with PC Slot and Guide Ear, 24 Circuits, Tn (Sn) Plating

Documents:

3D Model	Product Specification PS-70204 (PDF)
Packaging Specification (PDF)	RoHS Certificate of Compliance (PDF)
Drawing (PDF)	

Agency Certification

CSA	LR19980
UL	E29179

General

Product Family	PCB Headers
Series	70204
Application	Board-to-Board
Product Name	C-Grid®

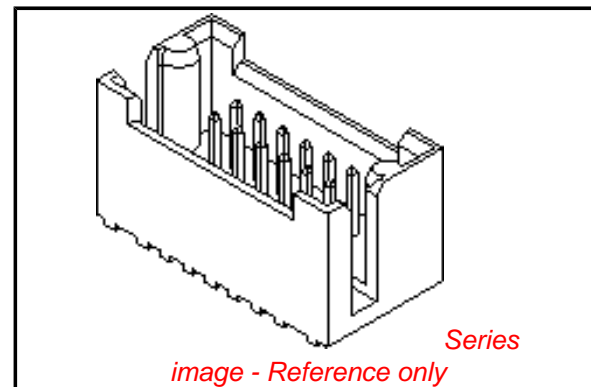
Physical

Breakaway	No
Circuits (Loaded)	24
Circuits (maximum)	24
Durability (mating cycles max)	25
Flammability	94V-0
Glow-Wire Compliant	No
Guide to Mating Part	Yes
Lock to Mating Part	None
Material - Metal	Brass, Phosphor Bronze
Material - Plating Mating	Tin
Material - Plating Termination	Tin
Number of Rows	2
Orientation	Vertical
PC Tail Length (in)	0.110 In
PC Tail Length (mm)	2.79 mm
PCB Locator	No
PCB Retention	None
Packaging Type	Tray
Pitch - Mating Interface (in)	0.100 In
Pitch - Mating Interface (mm)	2.54 mm
Plating min: Mating (µin)	150
Plating min: Mating (µm)	3.81
Plating min: Termination (µin)	150
Plating min: Termination (µm)	3.81
Polarized to Mating Part	Yes
Polarized to PCB	No
Shrouded	Fully
Stackable	No
Temperature Range - Operating	-40°C to +105°C
Termination Interface: Style	Through Hole

Electrical

Current - Maximum per Contact	3A
Voltage - Maximum	250V

Solder Process Data



EU RoHS

**ELV and RoHS
Compliant**
**REACH SVHC
Contains SVHC: No**
**Halogen-Free
Status**

China RoHS



Not Reviewed

**Need more information on product
environmental compliance?**

Email productcompliance@molex.com
 For a multiple part number RoHS Certificate of
 Compliance, [click here](#)

Please visit the [Contact Us](#) section for any
 non-product compliance questions.

Search Parts in this Series

[70204Series](#)

Mates With

[71973](#)

Duration at Max. Process Temperature (seconds)	5
Lead-free Process Capability	Wave Capable (TH only)
Max. Cycles at Max. Process Temperature	1
Process Temperature max. C	235

Material Info

Old Part Number	70204-0395
-----------------	------------

Reference - Drawing Numbers

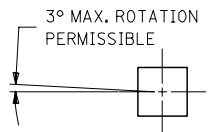
Product Specification	PS-70204
Sales Drawing	SDA-70204-0385-0448

This document was generated on 03/31/2010

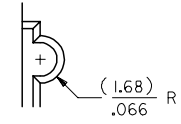
PLEASE CHECK WWW.MOLEX.COM FOR LATEST PART INFORMATION

CKT. SIZE	PART NUMBER	ENG. NUMBER SDA-70204-	DIM. "A"		DIM. "B"		DIM. "C"	
			MM	IN.	MM	IN.	MM	IN.
			08	25-02-2008	0387	7,62	.300	17,78
10	25-02-2010	0388	10,16	.400	20,32	.800	22,86	.900
12	25-02-2012	0389	12,70	.500	22,86	.900	25,40	1.000
14	25-02-2014	0390	15,24	.600	25,40	1.000	32,51	1.100
16	25-02-2016	0391	17,78	.700	27,94	1.100	30,48	1.200
18	25-02-2018	0392	20,32	.800	30,48	1.200	33,02	1.300
20	25-02-2020	0393	22,86	.900	33,02	1.300	35,56	1.400
22	25-02-2022	0394	25,40	1.000	35,56	1.400	38,10	1.500
24	25-02-2024	0395	27,94	1.100	38,10	1.500	40,64	1.600
26	25-02-2026	0396	30,48	1.200	40,64	1.600	43,10	1.700
28	25-02-2028	0397	33,02	1.300	43,10	1.700	45,72	1.800
30	25-02-2030	0398	35,56	1.400	45,72	1.800	48,26	1.900
32	25-02-2032	0399	38,10	1.500	48,26	1.900	50,80	2.000
34	25-02-2034	0400	40,64	1.600	50,80	2.000	53,34	2.100
36	25-02-2036	0401	43,10	1.700	53,34	2.100	55,88	2.200
38	25-02-2038	0402	45,72	1.800	55,88	2.200	58,42	2.300
40	25-02-2040	0403	48,26	1.900	58,42	2.300	60,96	2.400

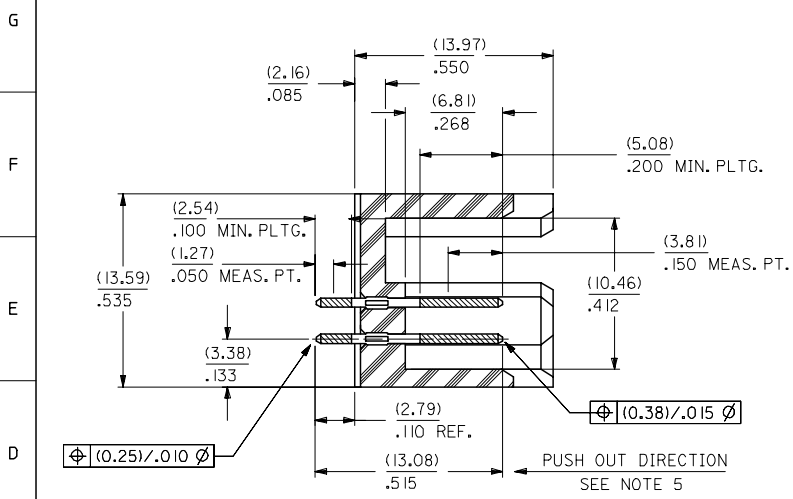
CKT. SIZE	PART NUMBER	ENG. NUMBER SDA-70204-	DIM. "A"		DIM. "B"		DIM. "C"	
			MM	IN.	MM	IN.	MM	IN.
			42	25-02-2042	0404	50,80	2.000	60,96
44	25-02-2044	0405	53,34	2.100	63,50	2.500	66,04	2.600
46	25-02-2046	0406	55,88	2.200	66,04	2.600	68,58	2.700
48	25-02-2048	0407	58,42	2.300	68,58	2.700	71,12	2.800
50	25-02-2050	0408	60,96	2.400	71,12	2.800	73,66	2.900
52	25-02-2052	0409	63,50	2.500	73,66	2.900	76,20	3.000
54	25-02-2054	0410	66,04	2.600	76,20	3.000	78,74	3.100
56	25-02-2056	0411	68,58	2.700	78,74	3.100	81,28	3.200
58	25-02-2058	0412	71,12	2.800	81,28	3.200	83,82	3.300
60	25-02-2060	0413	73,66	2.900	83,82	3.300	86,36	3.400
62	25-02-2062	0414	76,20	3.000	86,36	3.400	88,90	3.500
64	25-02-2064	0415	78,74	3.100	88,90	3.500	91,44	3.600
66	25-02-2066	0416	81,28	3.200	91,44	3.600	93,98	3.700
68	25-02-2068	0417	83,82	3.300	93,98	3.700	96,52	3.800
70	25-02-2070	0418	86,36	3.400	96,52	3.800	99,06	3.900
72	25-02-2072	0419	88,90	3.500	99,06	3.900	101,60	4.000



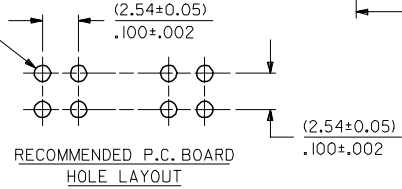
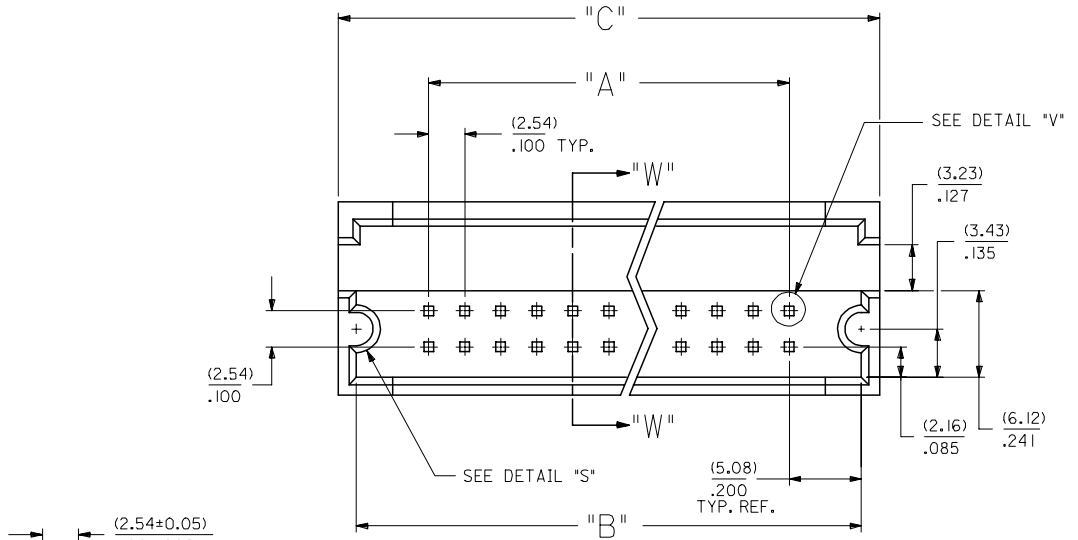
DETAIL "V"
SCALE = 20:1



DETAIL "S"



SECTION W-W



RECOMMENDED P.C. BOARD HOLE LAYOUT

NOTES:

- 1) WAFER MATERIAL: GLASS FILLED NYLON COLOR, BLACK.
- 2) PIN MATERIAL: PHOSPHOR BRONZE ALLOY
- 3) PIN PLATING: (OVERALL)
.000150 MINIMUM TIN PLATE
OVER .000050 MINIMUM NICKEL PLATE
- THE PRIMARY SHIPPING CARTON WILL BE LABELED "COMPLIANT TO RoHS DIRECTIVE 2002/95/EC AND ELV ANNEX II OF DIRECTIVE 2000/53/EC". CARTONS WITHOUT THIS LABEL MAY CONTAIN PRODUCT WITH LEAD.
- 4) PINS MUST MEET SOLDERABILITY SPEC. NO. 152.
- 5) PIN PUSH-OUT FORCE (1.81 KG.)/4 LBS MIN.
- 6) REFER TO P.S. NO. 70204.
- 7) STANDARD PACKAGING PER: PK-70873-0070.

REMOVE 0420-0448 FC NO: UCP2007-0113 DRAWN: JORGAN 2006/08/07 CHKD: MS BARRA 2006/08/16 APPR: SMILLER 2006/08/18	QUALITY SYMBOLS ▽=0 ▽=0	GENERAL TOLERANCES (UNLESS SPECIFIED)		DIMENSION STYLE MM/IN		SCALE 4:1	DESIGN UNITS INCH	THIRD ANGLE PROJECTION
		4 PLACES ± --- ± ---	3 PLACES ± --- ± .010	2 PLACES ± 0.25 ± ---	1 PLACE ± --- ± ---	ANGULAR ±1/2°	DRAWN BY JAS	DATE 1986/05/20
DRAFT WHERE APPLICABLE MUST REMAIN WITHIN DIMENSIONS		SEE TABLE		MATERIAL NO. WAZ		DOCUMENT NO. SDA-70204-0385-0448		SHEET NO. 1 OF 1
THIS DRAWING CONTAINS INFORMATION THAT IS PROPRIETARY TO MOLEX INCORPORATED AND SHOULD NOT BE USED WITHOUT WRITTEN PERMISSION								