

PLEASE CHECK WWW.MOLEX.COM FOR LATEST PART INFORMATION

Part Number: [0357110200](#)
Status: **Active**
Description: 2.79mm (.110") Slip-In Tab, Quick Disconnect, 0.50mm (.020") Tab Thickness, Wire Range 16-20 AWG (1.31-0.52mm²), Unplated

Documents:

[Drawing \(PDF\)](#) [Product Specification PS-35957-001 \(PDF\)](#)
[Product Specification PS-35711-001 \(PDF\)](#) [RoHS Certificate of Compliance \(PDF\)](#)

General

Product Family	Quick Disconnects
Series	35711
Crimp Quality Equipment	Yes
Product Name	Slip-On
Type	Quick Disconnect

Physical

Barrel Type	Open
Gender	Male
Glow-Wire Compliant	No
Insulation	None
Lock to Mating Part	Yes
Material - Metal	Brass
Material - Plating Mating	Tin
Material - Plating Termination	Tin
Orientation	Straight
Packaging Type	Reel
Plating min: Mating (µin)	40
Plating min: Mating (µm)	1
Plating min: Termination (µin)	40
Plating min: Termination (µm)	1
Polarized to Mating Part	No
Tab Thickness	0.51mm (.020")
Tab Width	2.79mm (.110")
Temperature Range - Operating	-40°C to +105°C
Termination Interface: Style	Crimp or Compression
Wire Insulation Diameter	1.50-3.20mm (.060-.125") max.
Wire Size AWG	16, 18, 20
Wire Size mm ²	0.50 - 1.30

Electrical

Voltage - Maximum	Per Wire Specification
-------------------	------------------------

Material Info

Reference - Drawing Numbers

Product Specification	PS-35711-001, PS-35957-001
Sales Drawing	SD-35711-02*0

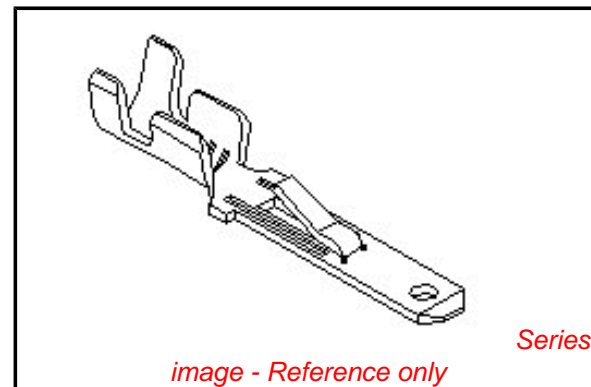


image - Reference only

EU RoHS

ELV and RoHS Compliant
REACH SVHC
Contains SVHC: No
Halogen-Free Status

China RoHS



Need more information on product environmental compliance?

Email productcompliance@molex.com
 For a multiple part number RoHS Certificate of Compliance, [click here](#)

Please visit the [Contact Us](#) section for any non-product compliance questions.

Search Parts in this Series
[35711Series](#)

SD 35711-02-0

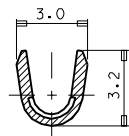
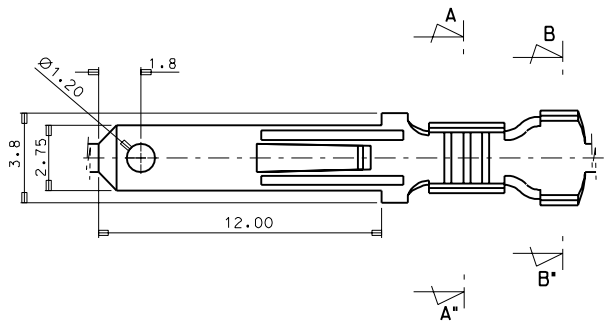
ENG. NO

EDP. NO.

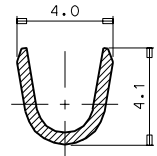
SIMILAR ITEM

PROJECT NO.

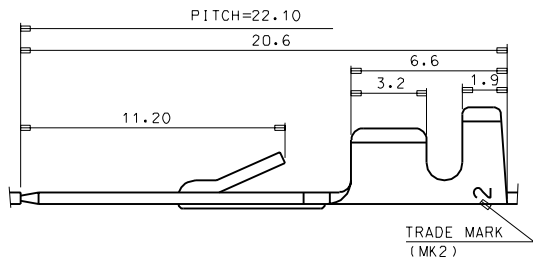
DO NOT SCALE DRAWING
DIMENSION IN METRIC



SECTION A-A



SECTION B-B



- NOTES
1. MATERIAL: BRASS, 0.5 THICKNESS
 2. FINISH: 35711-0200: UNPLATED
35711-0210: POST-TIN PLATED
 3. RECOMMENDED LENGTH OF WIRE STRIP IS 4.5-5.0mm

ASS'Y PART		QTY/REEL OR PACK	SURFACE AREA	MATERIAL	SEE NOTES	WIRE RANGE	GENERAL TOLERANCES		
DESCRIPTION	ENG. NO.	10,000 QTY/REEL	MM ²			AWG: #20-#16	DIM. : ±0.30		
						MM ² : 0.52-1.31 <th>ANGLE : ±0.20</th>	ANGLE : ±0.20		
DIMENSION CLASSIFICATION <input checked="" type="checkbox"/> : CRITICAL <input checked="" type="checkbox"/> : MAJOR <input type="checkbox"/> : MINOR () : REFERENCE								REVISE ONLY ON CAD SYSTEM	
WIRE CRIMP WIDTH LTR REVISION RECORD		INS. CRIMP WIDTH ECN		DRAWN BY N.Y. YANG		INSULATION RANGE 1.8-2.3		TITLE: .110 SLIP-IN TAB	
DR./CHK/DATE 93-014 / 93.7.22		APPL FEED 22.1		APP'D BY B.K. CHOI		ENG. NO. SD 35711-02-0		I.O.F. 1 REV A	