

PLEASE CHECK WWW.MOLEX.COM FOR LATEST PART INFORMATION

Part Number: [0190670059](#)
Status: **Active**
Description: NylaKrimp™ Funnel Entry Ring Tongue Terminal for 6 AWG Wire, Stud #11

Documents:

[Drawing \(PDF\)](#) [RoHS Certificate of Compliance \(PDF\)](#)

Agency Certification

CSA LR18689
 UL E32244

General

Product Family Ring and Spade Terminals
 Series [19067](#)
 Crimp Quality Equipment Yes
 Mil-Spec N/A
 Product Name NylaKrimp™
 Type Ring

Physical

Barrel Type Closed - Brazed
 Flammability 94V-0
 Insulation Nylon (PA)
 Material - Plating Mating Tin
 Packaging Type Bag
 Plating min: Mating (µin) 100
 Plating min: Mating (µm) 2.5
 Plating min: Termination (µin) 100
 Plating min: Termination (µm) 2.5
 Stud Size 7/16" (M11)
 Termination Interface: Style Crimp or Compression
 Wire Insulation Diameter 10.87mm (.428") max.
 Wire Size AWG 6

Material Info

Old Part Number E-957-76

Reference - Drawing Numbers

Sales Drawing SD-19067-013



EU RoHS

ELV and RoHS Compliant
REACH SVHC Contains SVHC: No
Halogen-Free Status
Not Reviewed

China RoHS



Need more information on product environmental compliance?

Email productcompliance@molex.com
 For a multiple part number RoHS Certificate of Compliance, [click here](#)

Please visit the [Contact Us](#) section for any non-product compliance questions.

Search Parts in this Series

[19067Series](#)

Application Tooling | [FAQ](#)

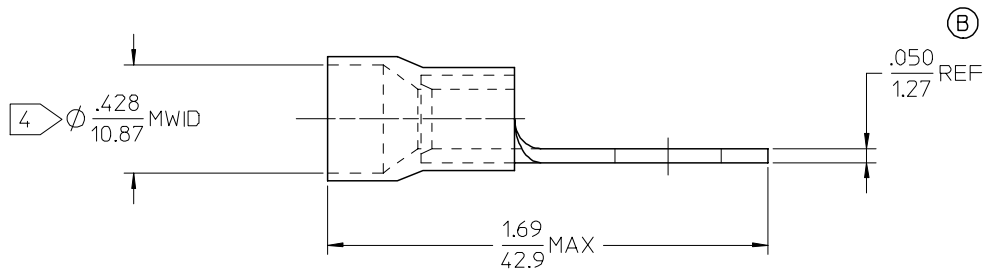
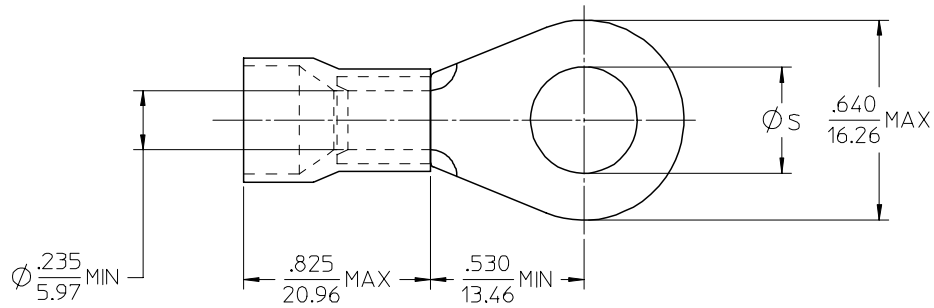
Tooling specifications and manuals are found by selecting the products below. Crimp Height Specifications are then contained in the Application Tooling Specification document.

Global

Description	Product #
Manual Putt Pump Hydraulic System, Die set required	0192860117
Die Set (large) for the HHLS Hydraulic Crimper	0192890004
Putt Pump Dieless Head System	0192860065
Hand Crimp Tool	0640013900

PLEASE CHECK WWW.MOLEX.COM FOR LATEST PART INFORMATION

MATERIAL NO.	ENG. NO.	STUD SIZE	$\varnothing S \pm .005/0.13$
190670043	E-957-08	8	.173/4.39
190670045	E-957-10	10	.198/5.03
190670047	E-957-14	1/4	.265/6.73
190670052	E-957-38	3/8	.390/9.91
190670055	E-957-56	5/16	.328/8.33
190670059	E-957-76	7/16	.453/11.51



NOTE(S):

1. TERMINAL MATERIAL: COPPER ALLOY.
2. TERMINAL FINISH: ELECTRO TIN PLATE.
3. INSULATION MATERIAL: NYLON, COLOR CODED BLUE.

MWID = MAXIMUM WIRE INSULATION DIAMETER.

(B) 5. ALL COMPONENTS ARE ROHS COMPLIANT.

REDWN & RDC MATL THKNS EC NO: ETC2007-0158 DRW: DRWNEHLE 2006/10/20 CHKD: JMACNEIL 2006/10/20 APPR: JMACNEIL 2006/10/20	QUALITY SYMBOLS	GENERAL TOLERANCES (UNLESS SPECIFIED)	DIMENSION STYLE	SCALE	DESIGN UNITS	THIRD ANGLE PROJECTION															
	$\nabla=0$ $\nabla=0$	<table border="1"> <thead> <tr> <th></th> <th>mm</th> <th>INCH</th> </tr> </thead> <tbody> <tr> <td>4 PLACES</td> <td>±----</td> <td>±----</td> </tr> <tr> <td>3 PLACES</td> <td>±----</td> <td>±----</td> </tr> <tr> <td>2 PLACES</td> <td>±----</td> <td>±----</td> </tr> <tr> <td>1 PLACE</td> <td>±----</td> <td>±----</td> </tr> </tbody> </table>		mm	INCH	4 PLACES	±----	±----	3 PLACES	±----	±----	2 PLACES	±----	±----	1 PLACE	±----	±----	IN/MM	4:1	INCH	
		mm	INCH																		
	4 PLACES	±----	±----																		
3 PLACES	±----	±----																			
2 PLACES	±----	±----																			
1 PLACE	±----	±----																			
<table border="1"> <thead> <tr> <th>DRAWN BY</th> <th>DATE</th> </tr> </thead> <tbody> <tr> <td>EHILE</td> <td>2006/10/16</td> </tr> <tr> <th>CHECKED BY</th> <th>DATE</th> </tr> <tr> <td>JMACNEIL</td> <td>2006/10/16</td> </tr> <tr> <th>APPROVED BY</th> <th>DATE</th> </tr> <tr> <td>JMACNEIL</td> <td>2006/10/16</td> </tr> </tbody> </table>	DRAWN BY	DATE	EHILE	2006/10/16	CHECKED BY	DATE	JMACNEIL	2006/10/16	APPROVED BY	DATE	JMACNEIL	2006/10/16	TITLE		RING TONGUE TERMINAL, FUNNEL ENTRY, 6 AWG, NYLAKRIMP						
DRAWN BY	DATE																				
EHILE	2006/10/16																				
CHECKED BY	DATE																				
JMACNEIL	2006/10/16																				
APPROVED BY	DATE																				
JMACNEIL	2006/10/16																				
<table border="1"> <thead> <tr> <th>REVISION</th> <th>DESCRIPTION</th> </tr> </thead> <tbody> <tr> <td>B</td> <td></td> </tr> </tbody> </table>	REVISION	DESCRIPTION	B		DRAFT WHERE APPLICABLE MUST REMAIN WITHIN DIMENSIONS		MATERIAL NO.	DOCUMENT NO.	SHEET NO.												
REVISION	DESCRIPTION																				
B																					
		SEE CHART		SD-19067-013	1 OF 1																
			THIS DRAWING CONTAINS INFORMATION THAT IS PROPRIETARY TO MOLEX INCORPORATED AND SHOULD NOT BE USED WITHOUT WRITTEN PERMISSION																		