

**PLEASE CHECK WWW.MOLEX.COM FOR LATEST PART INFORMATION**

**Part Number:** [5034800600](#)  
**Status:** **Active**  
**Description:** 0.50mm (.020") Pitch Easy-On™ BackFlip™ FPC Connector, 1.00mm (.039") Height, Right Angle, SMT, Dual Contact Style, 6 Circuits

**Documents:**

[3D Model](#) [Product Specification PS-503480-001 \(PDF\)](#)  
[Drawing \(PDF\)](#) [RoHS Certificate of Compliance \(PDF\)](#)

**General**

Product Family FFC/FPC Connectors  
 Series [503480](#)  
 Product Name BackFlip™, Easy-On™

**Physical**

Circuits (Loaded) 6  
 Color - Resin Black, White  
 Contact Position Dual  
 Durability (mating cycles max) 10  
 Entry Angle 90° Angle  
 Mated Height (in) 0.039 In  
 Mated Height (mm) 1.00 mm  
 Material - Metal Phosphor Bronze  
 Material - Plating Mating Gold  
 Material - Plating Termination Gold, Tin  
 Number of Rows 1  
 Orientation Right Angle  
 PCB Locator No  
 PCB Retention Yes  
 Packaging Type Embossed Tape on Reel  
 Pitch - Mating Interface (in) 0.020 In  
 Pitch - Mating Interface (mm) 0.50 mm  
 Polarized to PCB Yes  
 Stackable No  
 Temperature Range - Operating -40°C to +85°C  
 Termination Interface: Style Surface Mount  
 Wire/Cable Type FFC/FPC

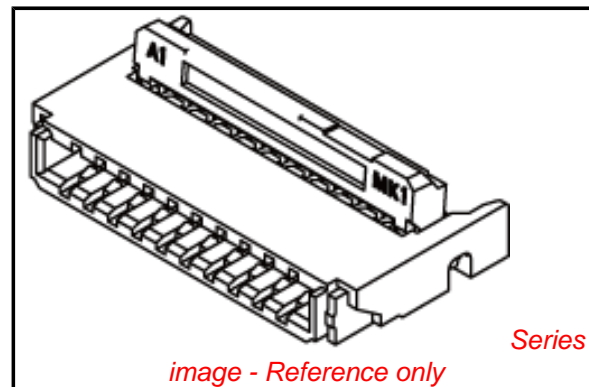
**Electrical**

Current - Maximum per Contact 0.5A  
 Voltage - Maximum 50V AC (RMS)/DC

**Material Info**

**Reference - Drawing Numbers**

Packaging Specification SPK-503480-001  
 Product Specification PS-503480-001, RPS-503480-001, RPS-503480-002, RPS-503480-003  
 Sales Drawing SD-503480-001, SD-503480-002



*image - Reference only*

**EU RoHS**

**ELV and RoHS  
 Compliant**  
**REACH SVHC  
 Contains SVHC: No**  
**Halogen-Free  
 Status  
 Not Reviewed**

**China RoHS**

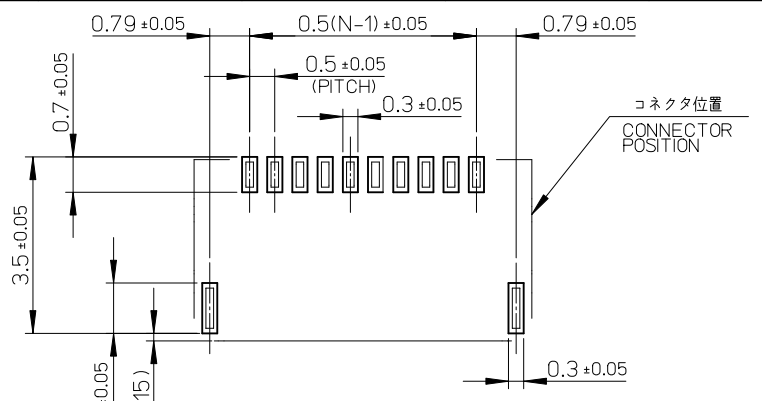
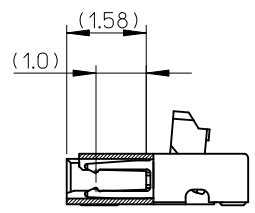
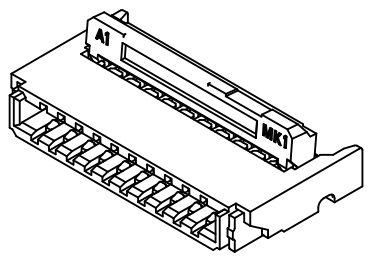
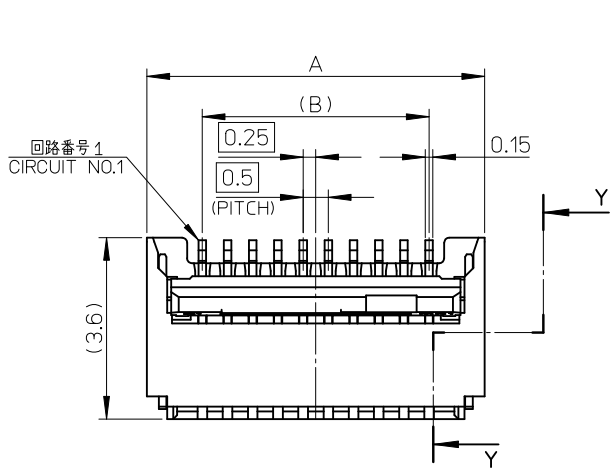


**Need more information on product  
 environmental compliance?**

Email [productcompliance@molex.com](mailto:productcompliance@molex.com)  
 For a multiple part number RoHS Certificate of Compliance, [click here](#)

Please visit the [Contact Us](#) section for any non-product compliance questions.

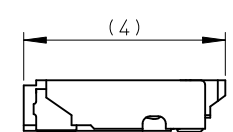
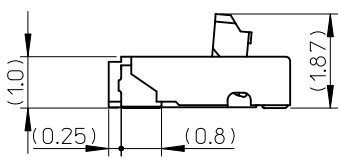
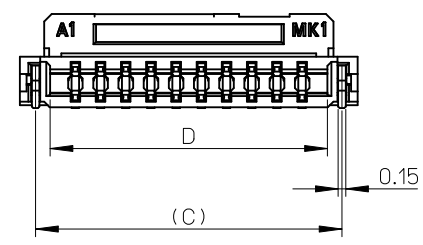
**Search Parts in this Series**  
[503480Series](#)



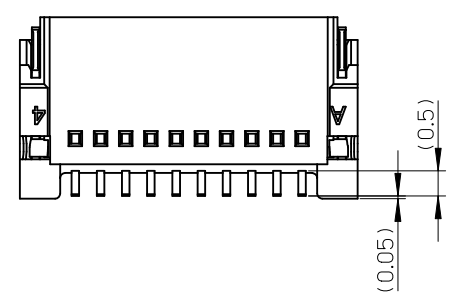
参考基板レイアウト (マウント面)  
P.W. BOARD PATTERN DIMENSION (REF.)  
(MOUNT AREA)

N: 極数  
N: CIRCUITS

メタルマスク : 0.1mm  
開口部 : TERM.(0.7X0.3)  
NAIL(1.0X0.3)  
METAL MASK THICKNESS : 0.1mm  
OPENING AREA RATIO : TERM.(0.7X0.3)  
NAIL(1.0X0.3)



アクチュエータが閉じた状態  
ACTUATOR CLOSED CONDITION



16.5	17.08	15.5	17.7	503480-3200	32
11.5	12.08	10.5	12.7	503480-2200	22
10.5	11.08	9.5	11.7	503480-2000	20
9.5	10.08	8.5	10.7	503480-1800	18
9.0	9.58	8.0	10.2	503480-1700	17
8.5	9.08	7.5	9.7	503480-1600	16
7.5	8.08	6.5	8.7	503480-1400	14
6.5	7.08	5.5	7.7	503480-1200	12
5.5	6.08	4.5	6.7	503480-1000	10
4.5	5.08	3.5	5.7	503480-0800	8
3.5	4.08	2.5	4.7	503480-0600	6
2.5	3.08	1.5	3.7	503480-0400	4
D	C	B	A	EMBOSSED PACKAGE	極数
				オーダー番号 ORDER NO.	CIRCUIT

CONNECTOR SERIES No. 503480-\*\*09

REVISED EC NO: J2010-2472 DRWN: THIRAYAMA 2010/04/29 CHKD: NMATSUURA 2010/04/29 APPR: KMORIKAWA 2010/05/12	GENERAL TOLERANCES (UNLESS SPECIFIED)		DIMENSION STYLE MM ONLY		SCALE 10:1	DESIGN UNITS METRIC	THIRD ANGLE PROJECTION
	10 UNDER	±0.2	DRAWN BY THIRAYAMA	DATE 2009/12/11	TITLE 0.5 FPC CONN. E/O BACKFLIP H=1.0MM ASSEMBLY		
	10 OVER 30 UNDER	±0.25	CHECKED BY NMATSUURA	DATE 2009/12/11	MOLEX INCORPORATED		
	30 OVER	±0.3	APPROVED BY KMORIKAWA	DATE 2009/12/11			
ANGULAR ±1 °	DRAFT WHERE APPLICABLE MUST REMAIN WITHIN DIMENSIONS	SEE CHART		DOCUMENT NO. SD-503480-001	SHEET NO. 1 OF 2		
SIZE A3	THIS DRAWING CONTAINS INFORMATION THAT IS PROPRIETARY TO MOLEX INCORPORATED AND SHOULD NOT BE USED WITHOUT WRITTEN PERMISSION						

NOTES

1. 部品構成

**PART COMPOSITION**  
 ハウジング・・・材質：液晶ポリマー（LCP）、ガラス充填、UL94V-0、ナチュラル（白）  
**HOUSING MATERIAL: LIQUID CRYSTAL POLYMER(LCP), GLASS FILLED, UL94V-0, NATURAL(WHITE)**  
 ターミナル・・・材質：燐青銅  
**TERMINAL MATERIAL: PHOSPHOR BRONZE**  
 コンタクト部：部分金メッキ(0.1μm以上)  
 テール部：部分金メッキ  
**CONTACT AREA: SEPARATED GOLD PLATING (0.1 MICROMETER MINIMUM)**  
 SOLDER TAIL AREA: SEPARATED GOLD PLATING  
**UNDERPLATE: NICKEL OVERALL (1.0 MICROMETER MINIMUM)**  
 アクチュエータ・・・材質：ポリアミド（PA）、ガラス充填、UL94 HB、黒色  
**ACTUATOR MATERIAL: POLYAMIDE(PA), GLASS FILLED, UL94 HB, BLACK**  
 ネイル・・・材質：燐青銅  
**NAIL MATERIAL: PHOSPHOR BRONZE**  
 テール部：錫メッキ(1.0μm以上)  
 下地：ニッケルメッキ(1.0μm以上)  
**SOLDER TAIL AREA: TIN OVERALL(1.0 MICROMETER MINIMUM)**  
**UNDERPLATE: NICKEL OVERALL(1.0 MICROMETER MINIMUM)**

2. 基板実装前にアクチュエータを操作しないで下さい。  
**PLEASE DO NOT OPERATE THE ACTUATOR BEFORE MOUNTING.**

3. 必ずFPCを挿入してからアクチュエータを操作して下さい。  
**PLEASE OPERATE THE ACTUATOR AFTER INSERTING THE FPC INTO THE CONNECTOR.**

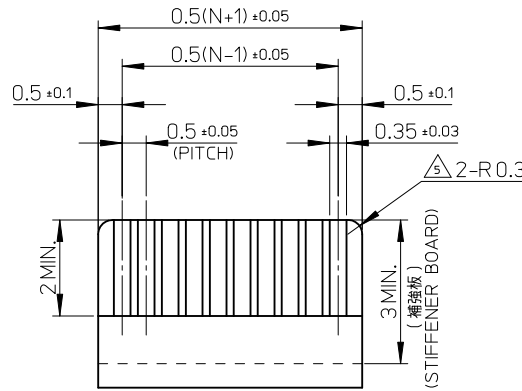
4. FPCについて  
**ABOUT FPC**  
 補強フィルム材質はポリイミドを推奨します。ベースフィルムは25μmを推奨します。  
 接着剤は熱硬化接着剤を推奨します。  
 尚、接着剤の接点部への付着は導通不良の原因になりますので、染み出しが無い様、お願い致します。  
**RECOMMENDED STIFFENER MATERIAL: POLYIMIDE**  
**RECOMMENDED BASE FILM THICKNESS: 25 MICROMETER**  
**RECOMMENDED ADHESIVE: THERMOSETTING ADHESIVE**  
**NOTE: PLEASE PUT APPROPRIATE AMOUNT OF ADHESIVE ON ADHEREND BECAUSE THERE IS A POSSIBILITY THAT THE EXTRA ADHESIVE CAUSES THE DEFECT IN ELECTRICAL CONTINUITY.**  
 打抜き方向は導体側から補強板側を推奨致します。  
 導体部については軟銅箔35μmを推奨致します。  
**RECOMMENDED PUNCHER DIRECTION: FROM CONDUCTOR SIDE TO STIFFENER FILM SIDE.**  
**RECOMMENDED CONDUCTOR SPECIFICATION: THICKNESS OF SOFT COPPER FOIL: 35MICROMETER**

△ R0.3は、FPC導体部にかからないこと。  
**R0.3 MUST NOT BE OVERLAPPED TO PATTERN OF FPC.**

6. ELV及びRoHS適合品  
**ELV AND ROHS COMPLIANT**

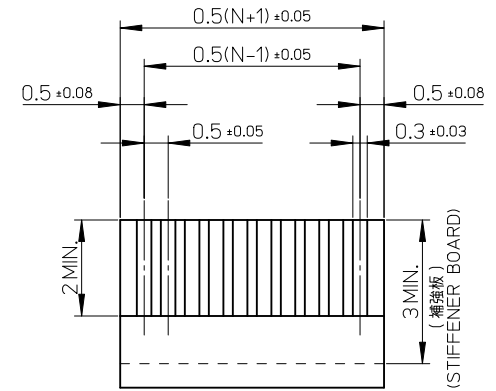
7. 平坦度：0.1以下  
**COPLANARITY : 0.1 MAXIMUM**

8. 製造上の都合により機能を阻害しない部位の形状を変更する可能性があります。  
**PLEASE RECOGNIZE A POSSIBILITY TO CHANGE THE SHAPE OF THE PART THAT DOES NOT OBSTRUCT A FUNCTION, BY CIRCUMSTANCES IN OUR PRODUCTION.**



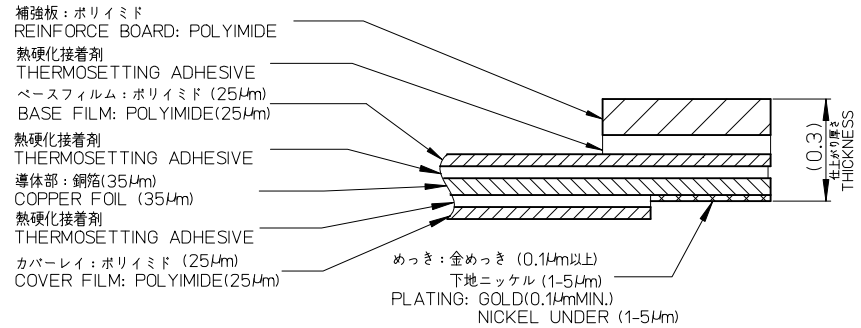
適合FPC推奨寸法  
**APPLICABLE FPC RECOMMENDED DIMENSION**  
 N:極数  
 N:CIRCUITS

(仕上がり厚さ:0.3±0.05):30極以下に適用  
**(THICKNESS:0.3±0.05):30 OR LESS CIRCUITS**  
 (仕上がり厚さ:0.3±0.03):31極以上に適用  
**(THICKNESS:0.3±0.03):31 OR OVER CIRCUITS**



適合FFC推奨寸法  
**APPLICABLE FFC RECOMMENDED DIMENSION**  
 N:極数  
 N:CIRCUITS

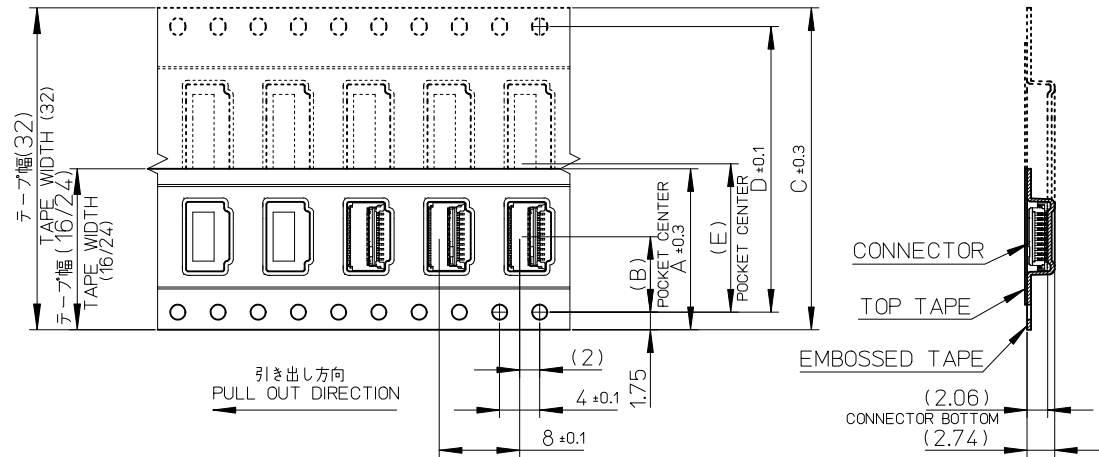
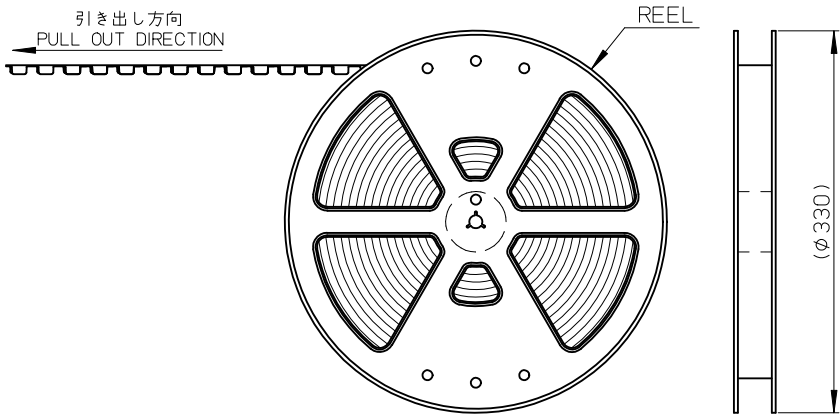
(仕上がり厚さ:0.3±0.05):30極以下に適用  
**(THICKNESS:0.3±0.05):30 OR LESS CIRCUITS**  
 (仕上がり厚さ:0.3±0.03):31極以上に適用  
**(THICKNESS:0.3±0.03):31 OR OVER CIRCUITS**



FPC構成推奨仕様  
**STRUCTURE OF FPC**

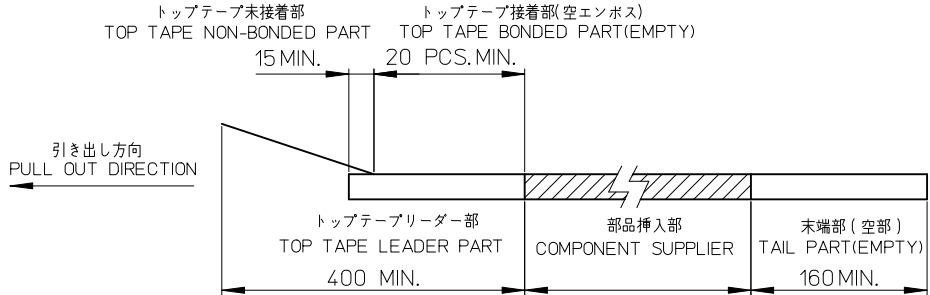
SEE SHEET 1 EC NO: J2010-2172 DRWN: THIRAYAMA 2010/04/29 CHKD: MATSUURA 2010/04/29 APPR: KMORIKAWA 2010/05/12	GENERAL TOLERANCES (UNLESS SPECIFIED)		DIMENSION STYLE MM ONLY	SCALE 10:1	DESIGN UNITS METRIC	THIRD ANGLE PROJECTION
	10 UNDER	±0.2	DRAWN BY THIRAYAMA	DATE 2009/12/11	TITLE 0.5 FPC CONN. E/O BACKFLIP H=1.0MM ASSEMBLY	
	10 OVER 30 UNDER	±0.25	CHECKED BY NMATSUURA	DATE 2009/12/11	MOLEX INCORPORATED	
	30 OVER	±0.3	APPROVED BY KMORIKAWA	DATE 2009/12/11		
ANGULAR	±1°	MATERIAL NO. SEE SHEET 1	DOCUMENT NO. SD-503480-001	SHEET NO. 2 OF 2		
DRAFT WHERE APPLICABLE MUST REMAIN WITHIN DIMENSIONS	SIZE A3	THIS DRAWING CONTAINS INFORMATION THAT IS PROPRIETARY TO MOLEX INCORPORATED AND SHOULD NOT BE USED WITHOUT WRITTEN PERMISSION				

10 9 8 7 6 5 4 3 2 1



NOTES

- 1. 製品(503480-\*\*09)の詳細寸法については、SD-503480-001をご参照下さい。  
IN THE PACKAGE, PART NO.503480-\*\*09 DETAILED DIMENSIONS. REFER TO SD-503480-001.
- 2. 梱包数量 : 3000個/リール  
NUMBER OF CONNECTORS : 3000PCS/REEL
- 3. リードテープの長さ  
LEAD TAPE LENGTH



- 4. 材料  
キャリアテープ : PET  
トップテープ : PET, OTHER  
リール : PS<リサイクル材を含む>
- MATERIAL CARRIER TAPE : PET  
TOP TAPE : PET, OTHER  
REEL : PS <RECYCLE MATERIAL CONTAINED>

エンボステープ内の製品の向き  
DIRECTION OF CONNECTOR IN EMBOSSED TAPE

14.2	28.4	32	-	-	32	503480-3200	32
-	-	-	11.5	24	24	503480-2200	22
-	-	-	-	-	-	503480-2000	20
-	-	-	-	-	-	503480-1800	18
-	-	-	-	-	-	503480-1700	17
-	-	-	-	-	-	503480-1600	16
-	-	-	-	-	-	503480-1400	14
-	-	-	-	-	-	503480-1200	12
-	-	-	7.5	16	16	503480-1000	10
-	-	-	-	-	-	503480-0800	8
-	-	-	-	-	-	503480-0600	6
-	-	-	-	-	-	503480-0400	4
E	D	C	B	A	テープ幅 TAPE WIDTH	オーダー番号 ORDER NO.	極数 CIRCUIT

REVISED EC NO: J2010-2472 DRWN: THIRAYAMA 2010/03/17 CHKD: NMATSUURA 2010/04/29 APPR: KMORIKAWA 2010/05/12	GENERAL TOLERANCES (UNLESS SPECIFIED)		DIMENSION STYLE MM ONLY		SCALE 2:1	DESIGN UNITS METRIC	THIRD ANGLE PROJECTION	
	10 UNDER	± 0.2	DRAWN BY THIRAYAMA		DATE 2009/12/11		TITLE 0.5 FPC CONN. E/O EMBOSSED TAPE PACKAGE	
	10 OVER 30 UNDER	± 0.25	CHECKED BY NMATSUURA		DATE 2009/12/11		MOLEX INCORPORATED	
	30 OVER	± 0.3	APPROVED BY KMORIKAWA		DATE 2009/12/11		DOCUMENT NO. SD-503480-002	
REV	DESCRIPTION	ANGULAR ±3 ° DRAFT WHERE APPLICABLE MUST REMAIN WITHIN DIMENSIONS		MATERIAL NO. SEE CHART		SHEET NO. 1 OF 1		
SIZE A3		THIS DRAWING CONTAINS INFORMATION THAT IS PROPRIETARY TO MOLEX INCORPORATED AND SHOULD NOT BE USED WITHOUT WRITTEN PERMISSION						