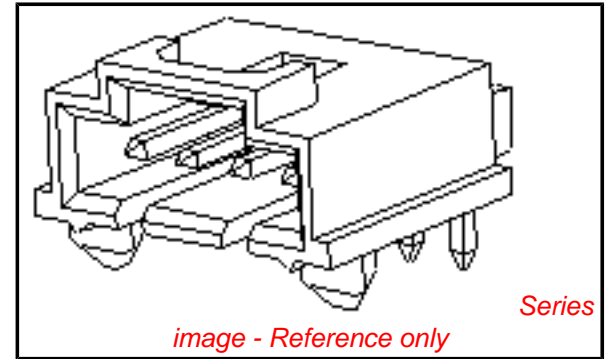


PLEASE CHECK WWW.MOLEX.COM FOR LATEST PART INFORMATION

Part Number: **0705750003**
Status: **Active**
Overview: [cgrid_sl_products](#)
Description: 2.54mm (.100") Pitch SL™ Header, Single Row, Right Angle, .180" Pocket, Shrouded, with Press-fit Plastic Peg, 4 Circuits, Tin (Sn) Plating

Documents:

| | |
|---|--|
| 3D Model | Product Specification PS-70400 (PDF) |
| Drawing (PDF) | Product Specification PS-70541 (PDF) |
| Packaging Specification (PDF) | RoHS Certificate of Compliance (PDF) |



Agency Certification

| | |
|-----|---------|
| CSA | LR19980 |
| UL | E29179 |

General

| | |
|----------------|-----------------------------------|
| Product Family | PCB Headers |
| Series | 70575 |
| Application | Wire-to-Board |
| Overview | cgrid_sl_products |
| Product Name | SL™ |

Physical

| | |
|--------------------------------|--------------------------------|
| Breakaway | No |
| Circuits (Loaded) | 4 |
| Circuits (maximum) | 4 |
| Color - Resin | Black |
| Durability (mating cycles max) | 25 |
| Flammability | 94V-0 |
| Glow-Wire Compliant | No |
| Guide to Mating Part | Yes |
| Lock to Mating Part | Yes |
| Material - Metal | Brass, Phosphor Bronze |
| Material - Plating Mating | Tin |
| Material - Plating Termination | Tin |
| Material - Resin | High Temperature Thermoplastic |
| Number of Rows | 1 |
| Orientation | Right Angle |
| PC Tail Length (in) | 0.130 In |
| PC Tail Length (mm) | 3.30 mm |
| PCB Locator | Yes |
| PCB Retention | Yes |
| PCB Thickness Recommended (in) | 0.062 In |
| PCB Thickness Recommended (mm) | 1.60 mm |
| Packaging Type | Tube |
| Pitch - Mating Interface (in) | 0.100 In |
| Pitch - Mating Interface (mm) | 2.54 mm |
| Plating min: Mating (µin) | 150 |
| Plating min: Mating (µm) | 3.75 |
| Plating min: Termination (µin) | 150 |
| Plating min: Termination (µm) | 3.75 |
| Polarized to Mating Part | Yes |
| Shrouded | Fully |
| Stackable | No |
| Surface Mount Compatible (SMC) | Yes |
| Temperature Range - Operating | -40°C to +105°C |

EU RoHS

ELV and RoHS Compliant
REACH SVHC
 Not Reviewed
Halogen-Free Status
 Not Reviewed

China RoHS



Need more information on product environmental compliance?

Email productcompliance@molex.com
 For a multiple part number RoHS Certificate of Compliance, [click here](#)

Please visit the [Contact Us](#) section for any non-product compliance questions.

Search Parts in this Series

[70575Series](#)

Mates With

[70004](#)

Termination Interface: Style

Through Hole

Electrical

Current - Maximum per Contact

3A

Voltage - Maximum

250V

Solder Process Data

Lead-free Process Capability

Wave Capable (TH only)

Material Info

Reference - Drawing Numbers

Packaging Specification

PK-70873-0017

Product Specification

PS-70400, PS-70541

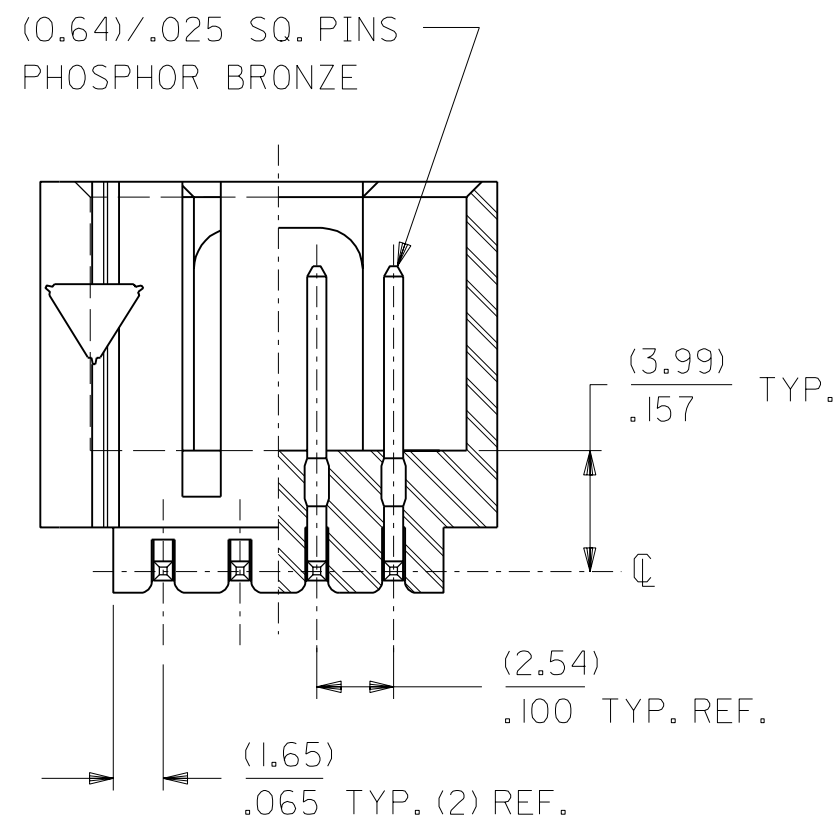
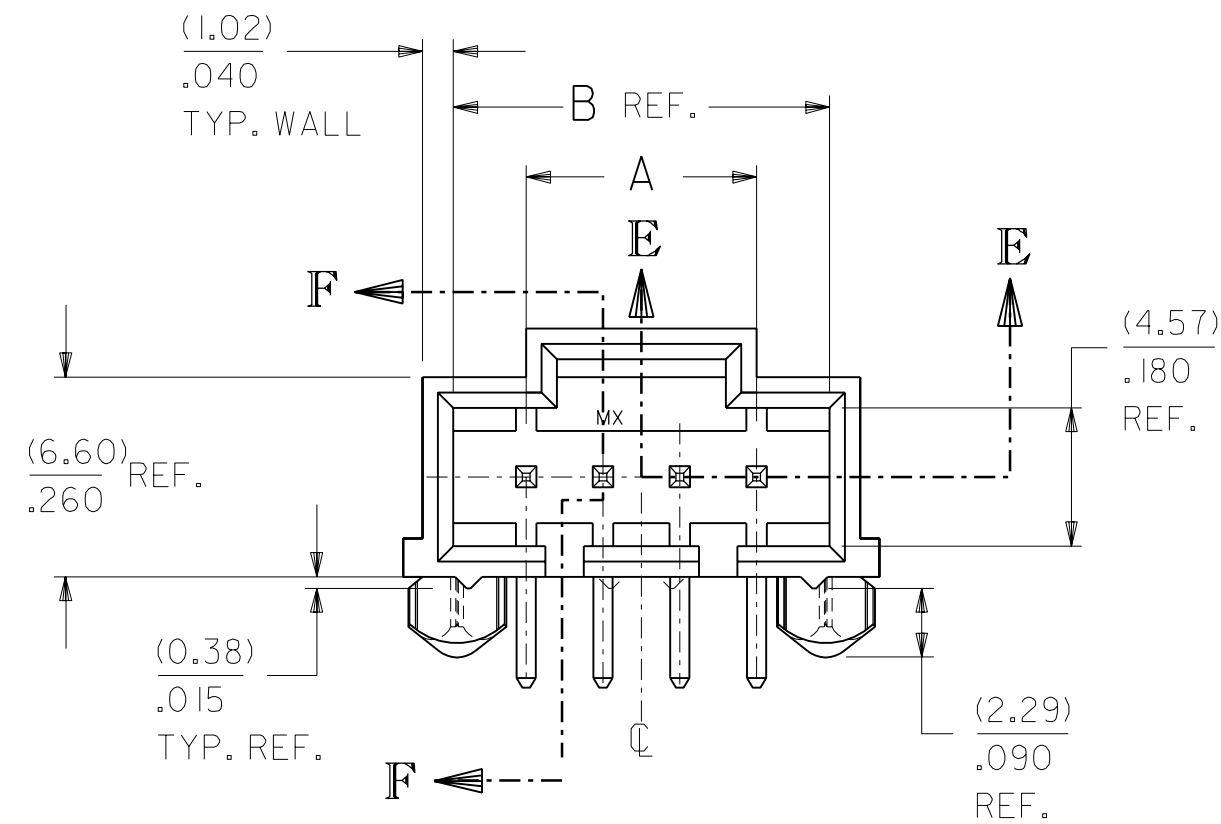
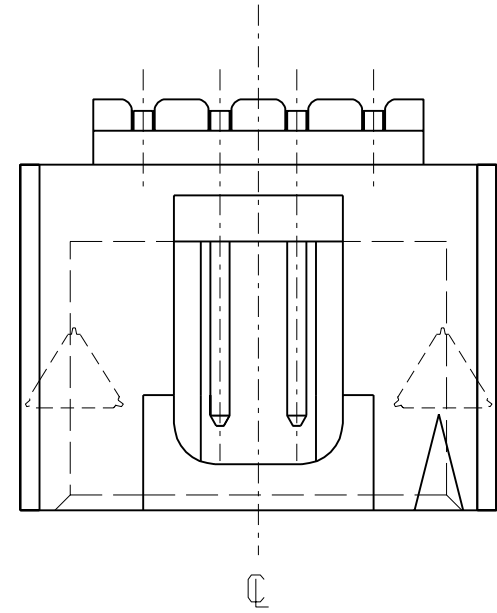
Sales Drawing

SDA-70575-****

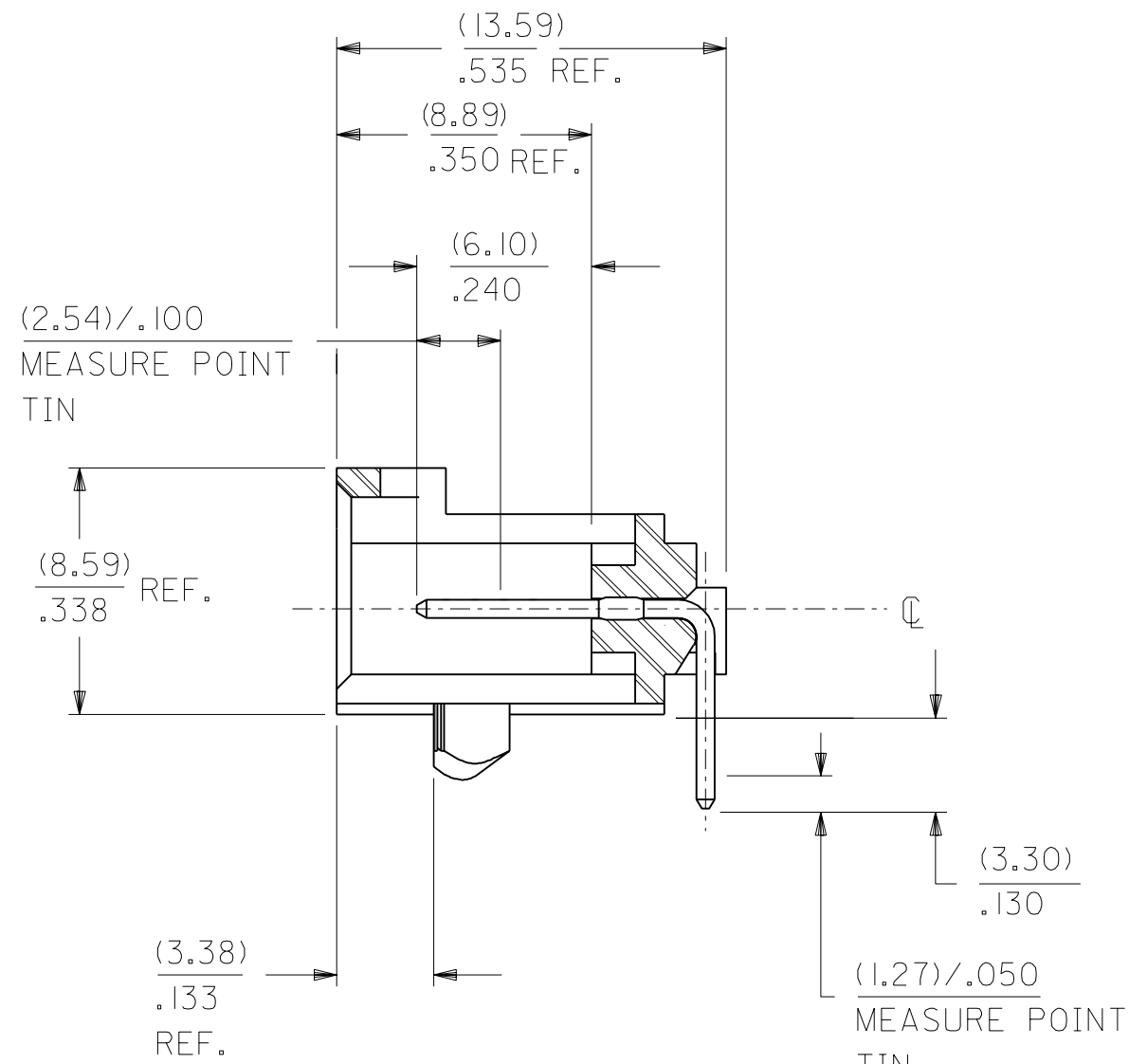
This document was generated on 05/28/2010

PLEASE CHECK WWW.MOLEX.COM FOR LATEST PART INFORMATION

OPTION "E"



SECTION E-E



SECTION F-F

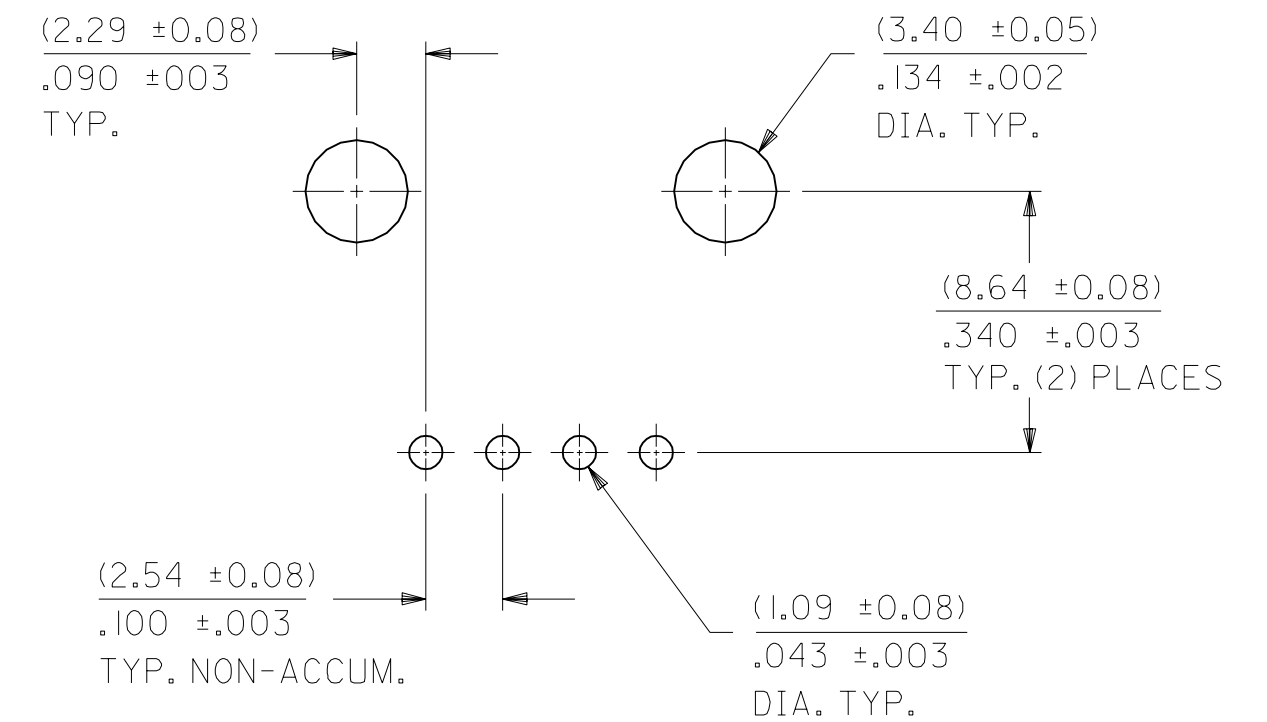
NOTES

- 1) MATERIAL: G.F. THERMOPLASTIC, 94V-0, COLOR-BLACK.
- 2) HEADER TO BE USED WITH NO. 70004 INTERIM CLIP, VERSION "A".
- 3) REFER TO PRODUCT SPEC: P.S.-70541.
- 4) STANDARD PACKAGING PER PK-70873-0017. OPTIONAL PACKAGING MAY BE AVAILABLE. (SEE DRAWING PK-70575-**** FOR ORDER NUMBERS)

- TIN - .000150 MINIMUM TIN PLATE OVER .000050 MINIMUM NICKEL PLATE.
- 15 GOLD - .000015 MINIMUM GOLD PLATE IN SELECT AREA, .000075 MINIMUM TIN PLATE IN SELECT AREA, OVER .000050 MINIMUM NICKEL PLATE OVERALL.
- 30 GOLD - .000030 MINIMUM GOLD PLATE IN SELECT AREA, .000075 MINIMUM TIN PLATE IN SELECT AREA, OVER .000050 MINIMUM NICKEL PLATE OVERALL.

(SEE SH.2 FOR OPTIONAL PLATINGS)

| CKT. SIZE | "A" | | "B" REF. | |
|-----------|-------|-------|----------|-------|
| | MM | IN. | MM | IN. |
| 4 | 7.62 | .300 | 12.45 | .490 |
| 5 | 10.16 | .400 | 14.99 | .590 |
| 6 | 12.70 | .500 | 17.53 | .690 |
| 7 | 15.24 | .600 | 20.07 | .790 |
| 8 | 17.78 | .700 | 22.61 | .890 |
| 9 | 20.32 | .800 | 25.15 | .990 |
| 10 | 22.86 | .900 | 27.69 | 1.090 |
| 11 | 25.40 | 1.000 | 30.23 | 1.190 |
| 12 | 27.94 | 1.100 | 32.77 | 1.290 |
| 13 | 30.48 | 1.200 | 35.31 | 1.390 |
| 14 | 33.02 | 1.300 | 37.85 | 1.490 |
| 15 | 35.56 | 1.400 | 40.39 | 1.590 |
| 16 | 38.10 | 1.500 | 42.93 | 1.690 |
| 17 | 40.64 | 1.600 | 45.47 | 1.790 |
| 18 | 43.18 | 1.700 | 48.01 | 1.890 |
| 19 | 45.72 | 1.800 | 50.55 | 1.990 |
| 20 | 48.26 | 1.900 | 53.09 | 2.090 |
| 21 | 50.80 | 2.000 | 55.63 | 2.190 |
| 22 | 53.34 | 2.100 | 58.17 | 2.290 |
| 23 | 55.88 | 2.200 | 60.71 | 2.390 |
| 24 | 58.42 | 2.300 | 63.25 | 2.490 |
| 25 | 60.96 | 2.400 | 65.79 | 2.590 |



RECOMMENDED P.C. BOARD LAYOUT

(FOR USE WITH (1.57) .062 THICK BOARD)

*THE PRIMARY SHIPPING CARTON WILL BE LABELED "COMPLIANT TO RoHS DIRECTIVE 2002/95/EC AND ELV ANNEX II OF DIRECTIVE 2000/53/EC". CARTONS WITHOUT THIS LABEL MAY CONTAIN PRODUCT WITH LEAD. PLATING PER E.S.-88-***

| | | |
|----------|---|------|
| | 2 | B |
| | 1 | B |
| MFG. SH. | | REV. |

UNLESS OTHERWISE SPECIFIED TOLERANCES: ANGULAR ± 1/2°

| | INCH | METRIC |
|---------|--------|--------|
| 3 PLACE | ± .010 | --- |
| 2 PLACE | ± .014 | ± 0.25 |
| 1 PLACE | --- | ± 0.35 |

DRAFT WHERE APPLICABLE MUST REMAIN WITHIN DIMENSIONS

DRWG. BY: AAB CHK'D. BY: AAB
APP'D. BY: WAZ SCALE: 4 : 1

▽ = 0 ▼ = 0 REVISE ONLY ON CAD SYSTEM

TITLE: SALES ASSEMBLY HEADER - RIGHT ANGLE .100 CENTERS W/P.C.B. PEGS

MOLEX INCORPORATED SHEET NO. DATE
LITSL,ILL. 60532 U.S.A. 1 OF 2 05/13/93

PART NO. DRWG. NO.
SEE CHART SDA-70575-****

FILE NAME: S70575X1 DIV. SIZE
DGN DA C

THIS DRAWING CONTAINS INFORMATION THAT IS PROPRIETARY TO MOLEX INC. AND SHOULD NOT BE USED WITHOUT WRITTEN PERMISSION.

| LTR. | REVISIONS | LTR. | REVISIONS |
|------|-----------|------|-----------|
| | | | |

B LEAD FREE UCP2004-1769 RWHITE 04/03/31

A RELEASED U30638 5/13/93 MGB

| | | | | | | | | | | | | | | | |
|---|--------------------------------|----------------------------------|----|----|---|---|---|---|-----------------------|----------------|---|------------------------|----------------|--|--|
| | 13 | 12 | 11 | 10 | 9 | 8 | 7 | 6 | 70575 | 4 | 3 | 2 | 1 | | |
| J | ENGINEERING NUMBER A-70575- | MANUFACTURE RELEASE STATUS | | | | | | | CONNECTOR END PLATING | | | P.C. BOARD END PLATING | | | |
| | | | | | | | | | TYPE | H MEAS. | | TYPE | K MEAS. | | |
| | -0003-0024 | R.F.M. | | | | | | | TIN | (2,54) .100 | | TIN | (1,27) .050 | | |
| | -0038-0059 | R.F.M. | | | | | | | 15 GOLD | (2,54) .100 | | TIN | (1,27) .050 | | |
| I | -0073-0094 | R.F.M. | | | | | | | 30 GOLD | (2,54) .100 | | TIN | (1,27) .050 | | |
| | -0108-0129 | | | | | | | | | | | | | | |
| | -0143-0164 | R.F.M. | | | | | | | 50 GOLD | (2,54) .100 | | TIN | (1,27) .050 | | |
| H | | | | | | | | | | | | | | | |

| | | | | | | | | | | | | | | | | |
|---|------|-------------|--------------|-------------|--------------|-------------|--------------|------------|--------------|-------------|--------------|------------|------------|------------|------------|------|
| G | CKTS | EDP NUMBER | ENG NUMBER | EDP NUMBER | ENG NUMBER | EDP NUMBER | ENG NUMBER | EDP NUMBER | ENG NUMBER | EDP NUMBER | ENG NUMBER | EDP NUMBER | ENG NUMBER | EDP NUMBER | ENG NUMBER | CKTS |
| | 02 | N.A. | N.A. | N.A. | N.A. | N.A. | N.A. | N.A. | N.A. | N.A. | N.A. | N.A. | N.A. | N.A. | N.A. | 02 |
| | 03 | N.A. | N.A. | N.A. | N.A. | N.A. | N.A. | N.A. | N.A. | N.A. | N.A. | N.A. | N.A. | N.A. | N.A. | 03 |
| | 04 | 705-75-0003 | A-70575-0003 | 705-75-0038 | A-70575-0038 | 705-75-0073 | A-70575-0073 | | A-70575-0108 | 705-75-0143 | A-70575-0143 | | | | | 04 |
| | 05 | 705-75-0004 | A-70575-0004 | 705-75-0039 | A-70575-0039 | 705-75-0074 | A-70575-0074 | | A-70575-0109 | 705-75-0144 | A-70575-0144 | | | | | 05 |
| | 06 | 705-75-0005 | A-70575-0005 | 705-75-0040 | A-70575-0040 | 705-75-0075 | A-70575-0075 | | A-70575-0110 | 705-75-0145 | A-70575-0145 | | | | | 06 |
| F | 07 | 705-75-0006 | A-70575-0006 | 705-75-0041 | A-70575-0041 | 705-75-0076 | A-70575-0076 | | A-70575-0111 | 705-75-0146 | A-70575-0146 | | | | | 07 |
| | 08 | 705-75-0007 | A-70575-0007 | 705-75-0042 | A-70575-0042 | 705-75-0077 | A-70575-0077 | | A-70575-0112 | 705-75-0147 | A-70575-0147 | | | | | 08 |
| | 09 | 705-75-0008 | A-70575-0008 | 705-75-0043 | A-70575-0043 | 705-75-0078 | A-70575-0078 | | A-70575-0113 | 705-75-0148 | A-70575-0148 | | | | | 09 |
| | 10 | 705-75-0009 | A-70575-0009 | 705-75-0044 | A-70575-0044 | 705-75-0079 | A-70575-0079 | | A-70575-0114 | 705-75-0149 | A-70575-0149 | | | | | 10 |
| | 11 | 705-75-0010 | A-70575-0010 | 705-75-0045 | A-70575-0045 | 705-75-0080 | A-70575-0080 | | A-70575-0115 | 705-75-0150 | A-70575-0150 | | | | | 11 |
| | 12 | 705-75-0011 | A-70575-0011 | 705-75-0046 | A-70575-0046 | 705-75-0081 | A-70575-0081 | | A-70575-0116 | 705-75-0151 | A-70575-0151 | | | | | 12 |
| | 13 | 705-75-0012 | A-70575-0012 | 705-75-0047 | A-70575-0047 | 705-75-0082 | A-70575-0082 | | A-70575-0117 | 705-75-0152 | A-70575-0152 | | | | | 13 |
| E | 14 | 705-75-0013 | A-70575-0013 | 705-75-0048 | A-70575-0048 | 705-75-0083 | A-70575-0083 | | A-70575-0118 | 705-75-0153 | A-70575-0153 | | | | | 14 |
| | 15 | 705-75-0014 | A-70575-0014 | 705-75-0049 | A-70575-0049 | 705-75-0084 | A-70575-0084 | | A-70575-0119 | 705-75-0154 | A-70575-0154 | | | | | 15 |
| | 16 | 705-75-0015 | A-70575-0015 | 705-75-0050 | A-70575-0050 | 705-75-0085 | A-70575-0085 | | A-70575-0120 | 705-75-0155 | A-70575-0155 | | | | | 16 |
| | 17 | 705-75-0016 | A-70575-0016 | 705-75-0051 | A-70575-0051 | 705-75-0086 | A-70575-0086 | | A-70575-0121 | 705-75-0156 | A-70575-0156 | | | | | 17 |
| | 18 | 705-75-0017 | A-70575-0017 | 705-75-0052 | A-70575-0052 | 705-75-0087 | A-70575-0087 | | A-70575-0122 | 705-75-0157 | A-70575-0157 | | | | | 18 |
| | 19 | 705-75-0018 | A-70575-0018 | 705-75-0053 | A-70575-0053 | 705-75-0088 | A-70575-0088 | | A-70575-0123 | 705-75-0158 | A-70575-0158 | | | | | 19 |
| D | 20 | 705-75-0019 | A-70575-0019 | 705-75-0054 | A-70575-0054 | 705-75-0089 | A-70575-0089 | | A-70575-0124 | 705-75-0159 | A-70575-0159 | | | | | 20 |
| | 21 | 705-75-0020 | A-70575-0020 | 705-75-0055 | A-70575-0055 | 705-75-0090 | A-70575-0090 | | A-70575-0125 | 705-75-0160 | A-70575-0160 | | | | | 21 |
| | 22 | 705-75-0021 | A-70575-0021 | 705-75-0056 | A-70575-0056 | 705-75-0091 | A-70575-0091 | | A-70575-0126 | 705-75-0161 | A-70575-0161 | | | | | 22 |
| | 23 | 705-75-0022 | A-70575-0022 | 705-75-0057 | A-70575-0057 | 705-75-0092 | A-70575-0092 | | A-70575-0127 | 705-75-0162 | A-70575-0162 | | | | | 23 |
| | 24 | 705-75-0023 | A-70575-0023 | 705-75-0058 | A-70575-0058 | 705-75-0093 | A-70575-0093 | | A-70575-0128 | 705-75-0163 | A-70575-0163 | | | | | 24 |
| | 25 | 705-75-0024 | A-70575-0024 | 705-75-0059 | A-70575-0059 | 705-75-0094 | A-70575-0094 | | A-70575-0129 | 705-75-0164 | A-70575-0164 | | | | | 25 |

OPTIONAL PLATINGS
50 GOLD - .000050 MIN. GOLD IN SELECT AREA
.000075 MIN. TIN IN SELECT AREA
.000050 MIN. NICKEL PLATE OVER-ALL.

| | | | |
|---|-----------|---|-----------|
| DIMENSIONS SHOWN (METRIC) INCH UNLESS OTHERWISE SPECIFIED TOLERANCES ANGULAR ± 1/2° | | ▽ = 0 ▽ = 0 REVISE ONLY ON CAD SYSTEM | |
| 3 PLACE ± --- --- 2 PLACE ± --- ± --- 1 PLACE --- ± --- | | TITLE SALES ASSEMBLY HEADER - RIGHT ANGLE 100 CENTERS W/P.C.B. PEGS | |
| DRAWING WHERE APPLICABLE MUST REMAIN WITHIN DIMENSIONS | | MOLEX INCORPORATED SHEET NO. 2 DATE 05/13/93 LITSE,ILL. 60532 U.S.A. | |
| DRWG. BY: AAB CHK'D. BY: AAB | | PART NO. DRWG. NO. SDA-70575-**** | |
| APPR'D. BY: WAZ SCALE: : | | FILE NAME: 570575X2.DGN THIS DRAWING CONTAINS INFORMATION THAT IS PROPRIETARY TO MOLEX INC. AND SHOULD NOT BE USED WITHOUT WRITTEN PERMISSION | |
| LTR. | REVISIONS | LTR. | REVISIONS |