

PLEASE CHECK WWW.MOLEX.COM FOR LATEST PART INFORMATION

Part Number: [0541043531](#)
Status: **Active**
Overview: [ffc fpc smt](#)
Description: 0.50mm (.020") Pitch FFC/FPC Connector, Right Angle, SMT, ZIF, Top Contact Style, 35 Circuits, Lead-free, 0.1µm (4µ") Gold (Au) Plating

Documents:

[3D Model](#) [Product Specification PS-54104-071 \(PDF\)](#)
[Drawing \(PDF\)](#) [RoHS Certificate of Compliance \(PDF\)](#)

Agency Certification

UL E29179

General

Product Family FFC/FPC Connectors
 Series [54104](#)
 Overview [ffc fpc smt](#)
 Product Name N/A

Physical

Circuits (Loaded) 35
 Color - Resin Natural
 Contact Position Top
 Durability (mating cycles max) 20
 Entry Angle 90° Angle
 Flammability 94V-0
 Mated Height (in) 0.079 In
 Mated Height (mm) 2.00 mm
 Material - Metal Phosphor Bronze
 Material - Resin High Temperature Thermoplastic
 Number of Rows 1
 Orientation Right Angle
 PC Tail Length (in) 0.024 In
 PC Tail Length (mm) 0.60 mm
 PCB Locator No
 PCB Retention Yes
 Packaging Type Embossed Tape on Reel
 Pitch - Mating Interface (in) 0.020 In
 Pitch - Mating Interface (mm) 0.50 mm
 Polarized to PCB Yes
 Stackable No
 Surface Mount Compatible (SMC) N/A
 Temperature Range - Operating -20°C to +85°C
 Termination Interface: Style Surface Mount
 Wire/Cable Type FFC/FPC

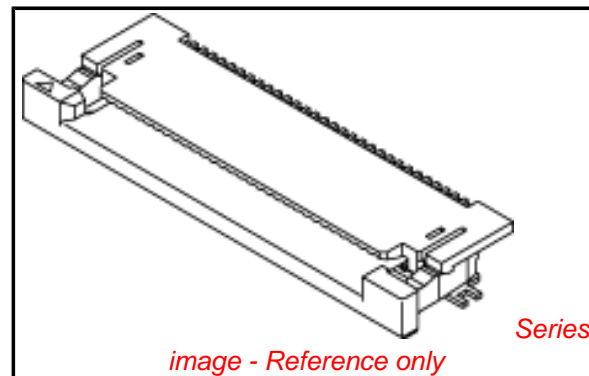
Electrical

Current - Maximum per Contact 0.5A
 Voltage - Maximum 50V

Material Info

Reference - Drawing Numbers

Packaging Specification SPK-54104-001
 Product Specification PS-54104-071, RPS-54104-077, RPS-54104-079, RPS-54104-081, RPS-54104-082, RPS-54104-083,



EU RoHS

**ELV and RoHS
Compliant**

REACH SVHC

Not Reviewed

Halogen-Free

Status

Not Reviewed

**Need more information on product
environmental compliance?**

Email productcompliance@molex.com
 For a multiple part number RoHS Certificate of Compliance, [click here](#)

Please visit the [Contact Us](#) section for any non-product compliance questions.

China RoHS



Search Parts in this Series

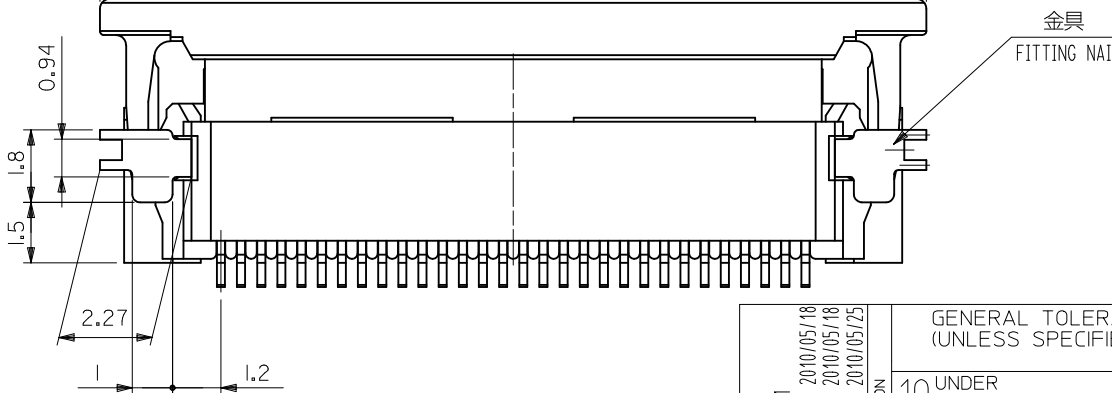
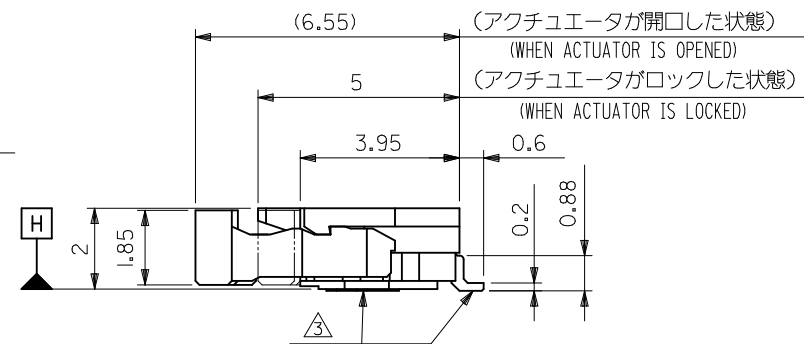
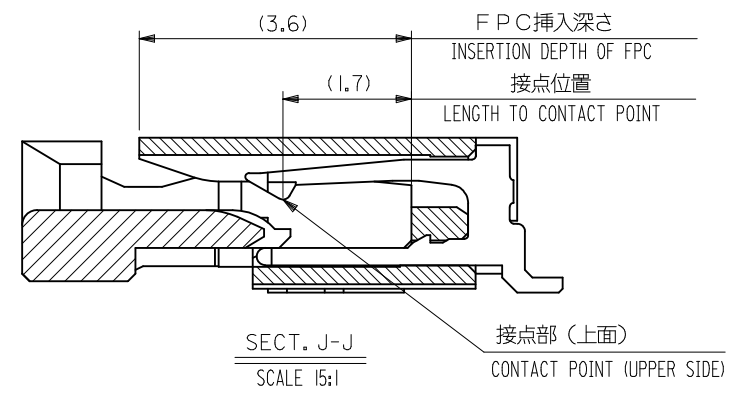
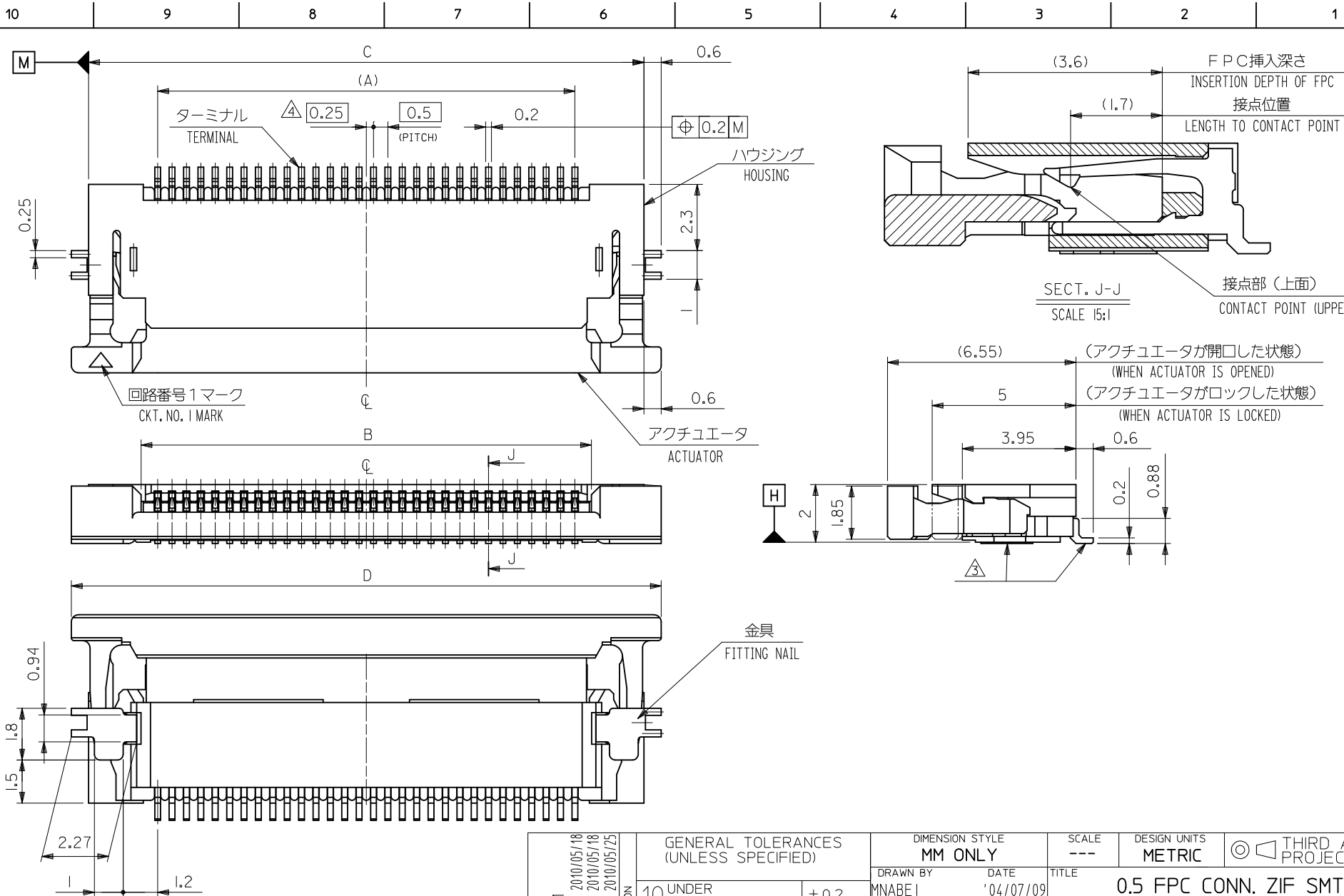
[54104Series](#)

Sales Drawing

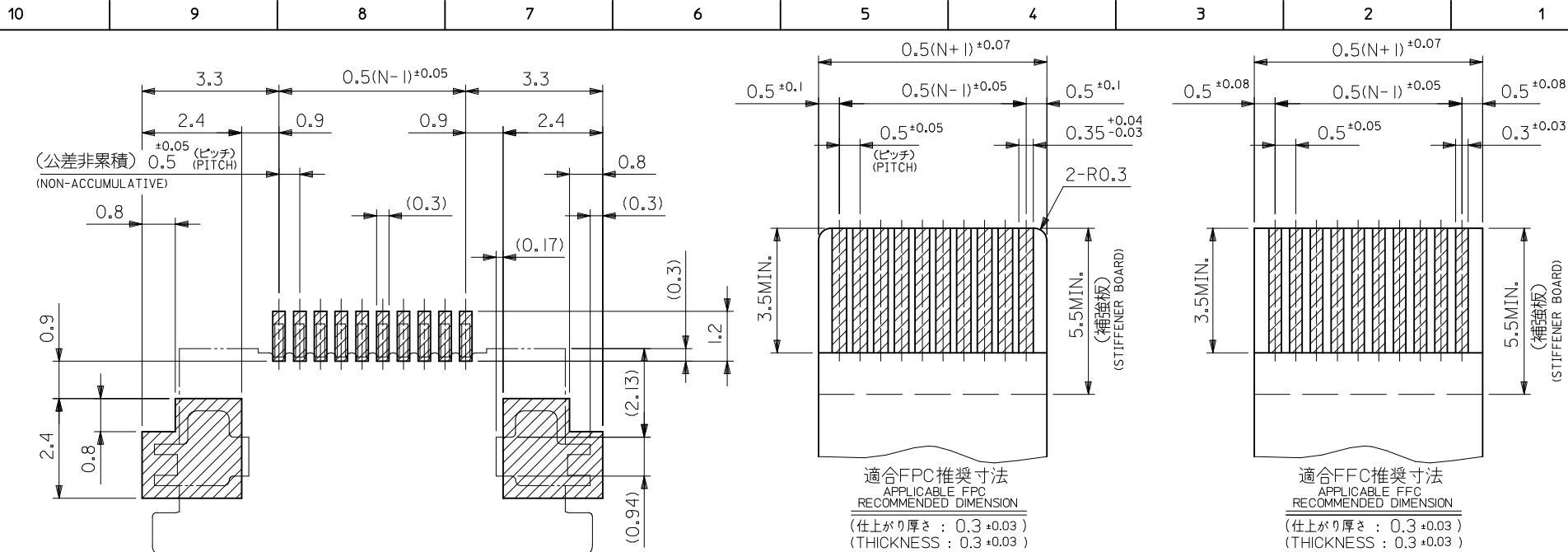
RPS-54104-084, RPS-54104-086, RPS-54104-088,
RPS-54104-089
SD-54104-077, SD-54104-078

This document was generated on 06/07/2010

PLEASE CHECK WWW.MOLEX.COM FOR LATEST PART INFORMATION



REVISED EC NO: J2010-2281 DRWN:HYOSHINO 2010/05/18 CHKD:SHIMIZUYAMA 2010/05/18 APPR:KMORIKAWA 2010/05/25	GENERAL TOLERANCES (UNLESS SPECIFIED)		DIMENSION STYLE MM ONLY		SCALE ---	DESIGN UNITS METRIC	THIRD ANGLE PROJECTION		
	10 UNDER	± 0.2	DRAWN BY MNABEI	DATE '04/07/09	TITLE 0.5 FPC CONN. ZIF SMT R/A UPPER CONTACT -LEAD FREE-				
	10 OVER 30 UNDER	± 0.25	CHECKED BY KTOJO	DATE '04/07/09	MOLEX INCORPORATED				
	30 OVER	± 0.3	APPROVED BY NUKITA	DATE '04/07/09	MATERIAL NO. SEE SHEET 2 OF 2	DOCUMENT NO. SD-54104-077	SHEET NO. 1 OF 2		
ANGULAR	$\pm 3^\circ$	DRAFT WHERE APPLICABLE MUST REMAIN WITHIN DIMENSIONS							
THIS DRAWING CONTAINS INFORMATION THAT IS PROPRIETARY TO MOLEX INCORPORATED AND SHOULD NOT BE USED WITHOUT WRITTEN PERMISSION									



金メッキFPC/FFCについて：打抜き方向は導体側から補強板側を推奨いたします。
 RECOMMENDED PUNCHER DIRECTION: FROM CONDUCTOR SIDE TO STIFFNER BOARD SIDE.

参照基板レイアウト
 RECOMMENDED P.C.BOARD
 PATTERN DIMENSION(REF.)
 (マウント面)
 (MOUNTING SIDE)

コネクタ位置
 CONNECTOR POSITION

注記 NOTES

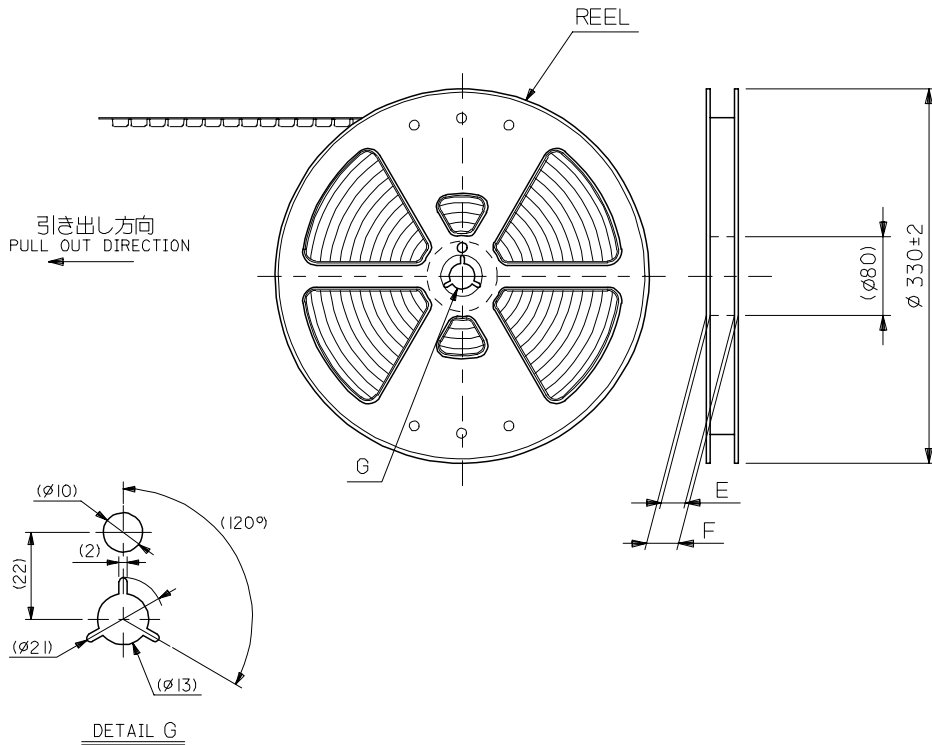
1. 使用材料 MATERIAL
- ハウジング : 46ナイロン UL94V-0
 - HOUSING : 46NYLON
 - アクチュエータ : PPS UL94V-0
 - ACTUATOR
 - ターミナル : リン青銅(t=0.2)
 - TERMINAL : ニッケル下地 : 1.0μm MIN.
 - 金メッキ : 0.14μm MIN.
 - PHOSPHOR BRONZE
 - GOLD 0.14μm MIN.
 - OVER NICKEL 1.0μm MIN.
 - PLATING
 - 金具 : リン青銅、スズめっき(t=0.2)
 - FITTING NAIL PHOS-BRO, TIN-PLATED

2. エンボステープ梱包時は、アクチュエータがロックした状態とする。
 IN THE PACKAGE, ACTUATOR OF PART NO.54104-**-29 SHOULD BE LOCKED.
- △ ソルダータイル半田付け面のズレ量、および金具半田付け面のズレ量は、基準面 H に対し上方向 0.1MAX.、下方向 0.15MAX. とし、相互のバラつき量は 0.1MAX. とする。
 MISALIGNMENT OF SOLDER TAILS AND FITTING NAILS FROM UPPER DIRECTION: 0.1MAX., LOWER DIRECTION: 0.15MAX. OFFSET BETWEEN UPPER AND LOWER 0.1MAX.
- △ 偶数極に適用。
 APPLY FOR EVEN CURCUIT.
- △ バタケンはく離止め用金具
 FITTING NAIL FOR PREVENTION OF PEELING OF P.C.B. PATTERN.
6. 本製品は54104-**-39のターミナル部分金メッキ品である。
7. ELV AND RoHS適合品
 ELV AND RoHS COMPLIANT

30.5	29.3	25.65	24.5	54104-5031	50
28.5	27.3	23.65	22.5	54104-4631	46
28.0	26.8	23.15	22.0	54104-4531	45
27.5	26.3	22.65	21.5	54104-4431	44
27.0	25.8	22.15	21.0	54104-4331	43
25.5	24.3	20.65	19.5	54104-4031	40
24.5	23.3	19.65	18.5	54104-3831	38
23.5	22.3	18.65	17.5	54104-3631	36
23.0	21.8	18.15	17.0	54104-3531	35
22.5	21.3	17.65	16.5	54104-3431	34
22.0	20.8	17.15	16.0	54104-3331	33
21.5	20.3	16.65	15.5	54104-3231	32
20.5	19.3	15.65	14.5	54104-3031	30
D	C	B	A	EMBOSSED PACKAGE オーダー番号:ORDER NO.	CKT.

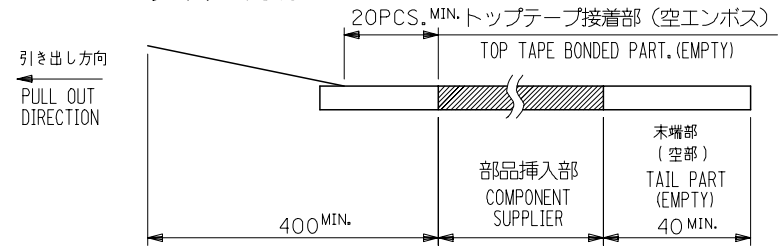
CONNECTOR SERIES NO. : 54104-**-29

REVISED EC NO: J2010-2281 DRWN:HYOSHINO 2010/05/18 CHKD:HSHIROYAMA 2010/05/18 APPR:KMORIKAWA 2010/05/25	DESCRIPTION	GENERAL TOLERANCES (UNLESS SPECIFIED)		DIMENSION STYLE		SCALE	DESIGN UNITS		
				MM ONLY		---	METRIC		
		10 UNDER ±0.2		DRAWN BY MNABEI		DATE '04/07/09		TITLE	
		10 OVER 30 UNDER ±0.25		CHECKED BY KTOJO		DATE '04/07/09		0.5 FPC CONN. ZIF SMT R/A UPPER CONTACT -LEAD FREE-	
30 OVER ±0.3		APPROVED BY NUKITA		DATE '04/07/09		MOLEX INCORPORATED			
ANGULAR ±3 °		MATERIAL NO.		SEE TABLE		DOCUMENT NO.			
DRAFT WHERE APPLICABLE MUST REMAIN WITHIN DIMENSIONS		SIZE A3		THIS DRAWING CONTAINS INFORMATION THAT IS PROPRIETARY TO MOLEX INCORPORATED AND SHOULD NOT BE USED WITHOUT WRITTEN PERMISSION		SD-54104-077			



NOTES

1. 梱包数量：1500個/リール
NUMBER OF CONNECTORS : 1500PCS/REEL
2. リードテープ長さ LEAD TAPE LENGTH

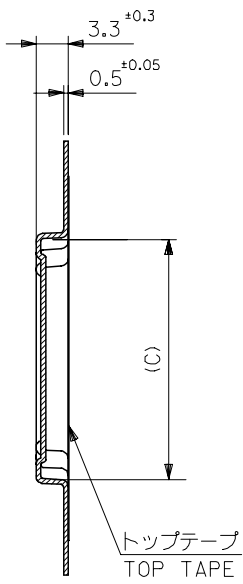


3. 材料 (MATERIAL)
 キャリアテープ (CARRIER TAPE) : ポリプロピレン (POLYPROPYLENE)
 トップテープ (TOPTAPE) : PET , PE , PEF
 リール (REEL) : ポリスチレン (POLYSTYLENE)
4. 本製品は 54104-**-96 のターミナル部分金メッキ品である。

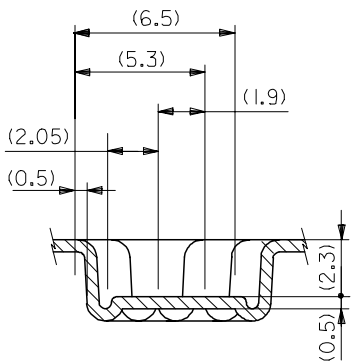
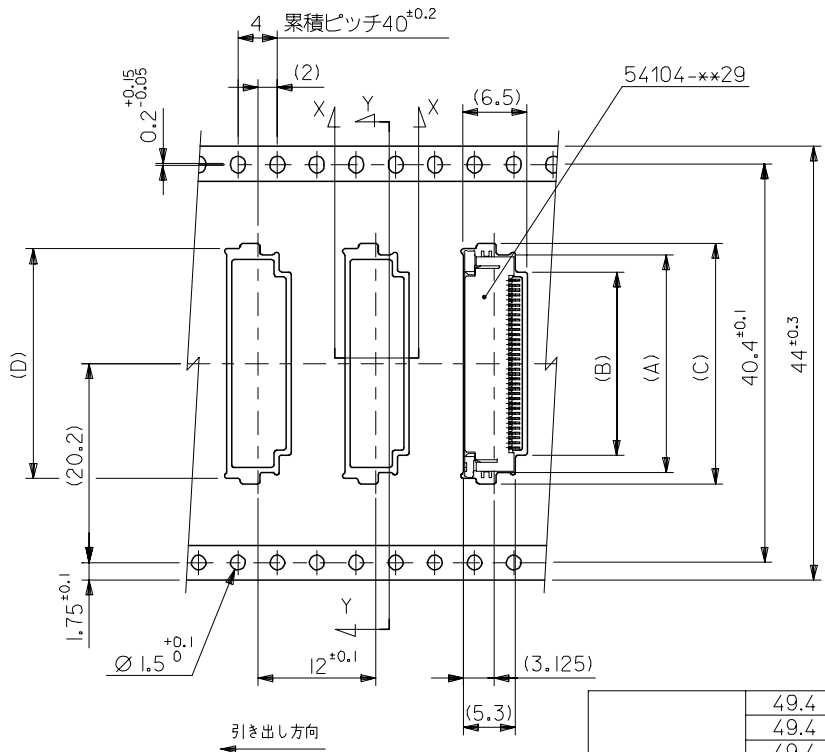
REVISED EC NO: J2007-2009 DRWN: YAMADA01 2007/01/23 CHKD: TOYODA 2007/01/25 APPR: NUKITA 2007/01/25	GENERAL TOLERANCES (UNLESS SPECIFIED)		DIMENSION STYLE MM ONLY		SCALE 2:1	DESIGN UNITS METRIC	THIRD ANGLE PROJECTION		
	10 UNDER	± 0.2	DRAWN BY MNABEI		DATE '04/07/09		TITLE EMBOSSED TAPE PACKAGE FOR 54104-**-29 -LEAD FREE-		
	10 OVER 30 UNDER	± 0.25	CHECKED BY KTOJO		DATE '04/07/09				
	30 OVER	± 0.3	APPROVED BY NUKITA		DATE '04/07/09		MOLEX INCORPORATED DOCUMENT NO. SD-54104-078 SHEET NO. 1 OF 2		
	ANGULAR	± 3 °	MATERIAL NO.		SEE CHART				
DRAFT WHERE APPLICABLE MUST REMAIN WITHIN DIMENSIONS		SIZE A3 THIS DRAWING CONTAINS INFORMATION THAT IS PROPRIETARY TO MOLEX INCORPORATED AND SHOULD NOT BE USED WITHOUT WRITTEN PERMISSION							

10 9 8 7 6 5 4 3 2 1

F
E
D
C
B
A



SECT:Y-Y



44	49.4	45.4	30.8	31.9	26.1	29.6	54104-5031	50
	49.4	45.4	28.8	29.9	24.1	27.6	54104-4631	46
	49.4	45.4	28.3	29.4	23.6	27.1	54104-4531	45
	49.4	45.4	27.8	28.9	23.1	26.6	54104-4431	44
	49.4	45.4	27.3	28.4	22.6	26.1	54104-4331	43
	49.4	45.4	25.8	26.9	21.1	24.6	54104-4031	40
	49.4	45.4	24.8	25.9	20.1	23.6	54104-3831	38
	49.4	45.4	23.8	24.9	19.1	22.6	54104-3631	36
	49.4	45.4	23.3	24.4	18.6	22.1	54104-3531	35
	49.4	45.4	22.8	23.9	18.1	21.6	54104-3431	34
	49.4	45.4	22.3	23.4	17.6	21.1	54104-3331	33
	49.4	45.4	21.8	22.9	17.1	20.6	54104-3231	32
49.4	45.4	20.8	21.9	16.1	19.6	54104-3031	30	
キャリアテープ幅 CARRIER TAPE WIDTH	F	E	D	C	B	A	MATERIAL NO.	CKT.

REVISED EC NO: J2007-2009 DRWN: YAMADA01 2007/01/23 CHKDK: TOYODA 2007/01/25 APPR: NUKITA 2007/01/25	GENERAL TOLERANCES (UNLESS SPECIFIED)		DIMENSION STYLE MM ONLY		SCALE 2:1	DESIGN UNITS METRIC	THIRD ANGLE PROJECTION	
	10 UNDER	±0.2	DRAWN BY	DATE	TITLE			
	10 OVER 30 UNDER	±0.25	CHECKED BY	DATE	EMBOSSD TAPE PACKAGE FOR 54104-**-29 -LEAD FREE-			
	30 OVER	±0.3	APPROVED BY	DATE	MOLEX INCORPORATED			
ANGULAR	±3 °	DRAFT WHERE APPLICABLE MUST REMAIN WITHIN DIMENSIONS		MATERIAL NO.	SEE CHART	DOCUMENT NO.	SD-54104-078	SHEET NO. 2 OF 2
THIS DRAWING CONTAINS INFORMATION THAT IS PROPRIETARY TO MOLEX INCORPORATED AND SHOULD NOT BE USED WITHOUT WRITTEN PERMISSION								