

**PLEASE CHECK WWW.MOLEX.COM FOR LATEST PART INFORMATION**

**Part Number:** [0190070067](#)  
**Status:** **Active**  
**Description:** InsulKrimp™ Female Fully Insulated Quick Disconnect Flag for 18-22 AWG Wire, Tab 4.75mm (.187") x 0.51mm (.020"), 94 V-0 Material

**Documents:**

[Drawing \(PDF\)](#)

[Product Specification PS-19902-008 \(PDF\)](#)

[RoHS Certificate of Compliance \(PDF\)](#)

**General**

Product Family	Quick Disconnects
Series	<a href="#">19007</a>
Crimp Quality Equipment	Yes
Product Name	InsulKrimp™
Type	Quick Disconnect

**Physical**

Barrel Type	Closed
Color - Resin	Natural
Gender	Female
Glow-Wire Compliant	No
Insulation	Nylon (PA)
Lock to Mating Part	None
Material - Metal	Brass
Material - Resin	Nylon
Orientation	Flag
Packaging Type	Bag
Polarized to Mating Part	No
Tab Thickness	0.51mm (.020")
Tab Width	4.75mm (.187")
Temperature Range - Operating	-65°C to +105°C
Wire Insulation Diameter	4.47mm (.176")
Wire Size AWG	18, 20, 22
Wire Size mm²	0.35 - 0.80

**Electrical**

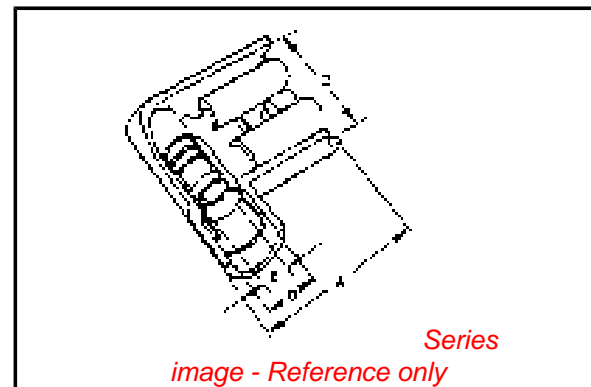
Voltage - Maximum	600V
-------------------	------

**Material Info**

Old Part Number	AA-2222V
-----------------	----------

**Reference - Drawing Numbers**

Product Specification	PS-19902-008
Sales Drawing	SD-19007-001



**EU RoHS**

**ELV and RoHS Compliant**

**REACH SVHC**

Not Reviewed

**Halogen-Free**

**Status**

**Not Reviewed**

**Need more information on product environmental compliance?**

Email [productcompliance@molex.com](mailto:productcompliance@molex.com)  
 For a multiple part number RoHS Certificate of Compliance, [click here](#)

Please visit the [Contact Us](#) section for any non-product compliance questions.

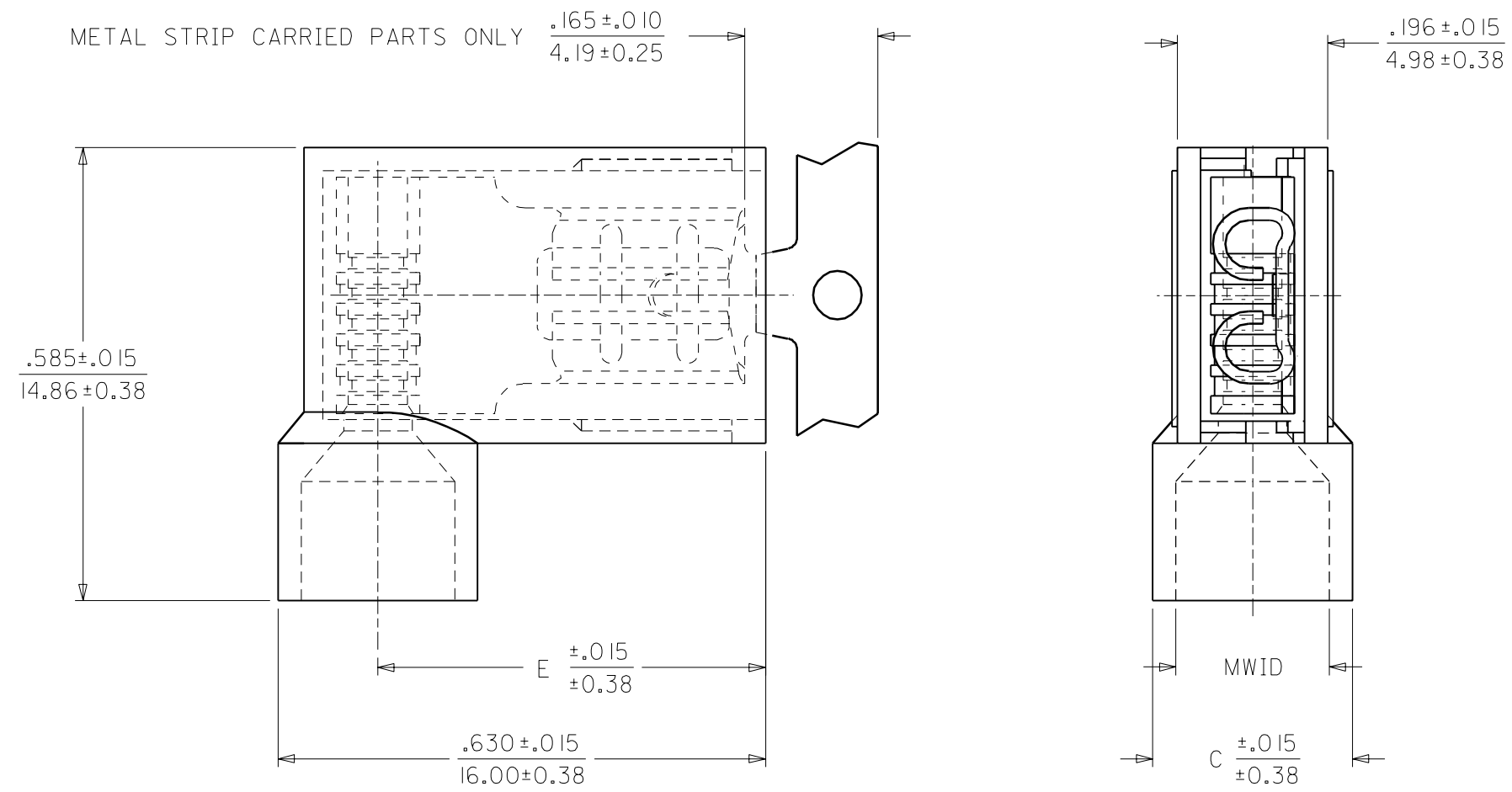
**China RoHS**



**Search Parts in this Series**

[19007Series](#)

PART NO.	CARRIER STYLE	AWG	COLOR	MWID	TAB SIZE	E	C
190070067	LOOSE	22-18	RED	.176/4.47	.187 X .020	.512/13.00	.236/5.99
190070068	TAPE	22-18	RED	.176/4.47	.187 X .020	.512/13.00	.236/5.99
190070069	STRIP	22-18	RED	.176/4.47	.187 X .020	.512/13.00	.236/5.99
190070070	LOOSE	22-18	RED	.176/4.47	.187 X .032	.512/13.00	.236/5.99
190070071	TAPE	22-18	RED	.176/4.47	.187 X .032	.512/13.00	.236/5.99
190070072	STRIP	22-18	RED	.176/4.47	.187 X .032	.512/13.00	.236/5.99
190070076	LOOSE	16-14	BLUE	.200/5.08	.187 X .020	.500/12.70	.260/6.60
190070077	TAPE	16-14	BLUE	.200/5.08	.187 X .020	.500/12.70	.260/6.60
180070078	STRIP	16-14	BLUE	.200/5.08	.187 X .020	.500/12.70	.260/6.60
190070079	LOOSE	16-14	BLUE	.200/5.08	.187 X .032	.500/12.70	.260/6.60
190070080	TAPE	16-14	BLUE	.200/5.08	.187 X .032	.500/12.70	.260/6.60
190070081	STRIP	16-14	BLUE	.200/5.08	.187 X .032	.500/12.70	.260/6.60



NOTES:  
 1. MWID = MAX. WIRE INSULATION DIA.  
 2. ALL DIMENSIONS = INCHES/MM  
 2. MATERIAL:  
 HOUSING: NYLON 6/6 94V-0 RATING  
 TERMINAL: TIN PLATED BRASS

SALES DRAWING

EC NO. ETC2001-0364 DRWN:HEB 01/06/11 CHK:RWD 01/06/11 APPR:RWD 01/06/11	QUALITY SYMBOLS MAJOR $\nabla=0$ CRITICAL $\nabla=0$	GENERAL TOLERANCES: (UNLESS SPECIFIED) mm    INCH		SCALE NO:NE DRAWN BY & DATE HEB 01/06/05	DESIGN UNITS <input type="checkbox"/> mm <input checked="" type="checkbox"/> INCH	DIMENSIONS: <input type="checkbox"/> mm <input checked="" type="checkbox"/> INCH <input type="checkbox"/> mm ONLY	SHT    REV REVISE ON CAD ONLY	
		4 PLACES $\pm 0.---$ $\pm .---$	DRAWN BY & DATE HEB 01/06/05	TITLE: FLAG FIQD, INSULKRIMP 94V-0 MATERIAL .187 X .032 & .020				
		3 PLACES $\pm 0.---$ $\pm .005$	CHECKED BY & DATE RWD 01/06/05	MOLEX INCORPORATED				
		2 PLACES $\pm 0.0.13$ $\pm .01$ 1 PLACE $\pm 0.0.25$ $\pm .---$	APPROVED BY & DATE RWD 01/06/05	CAD FILENAME E19007001.DGN	MATERIAL NO. SEE CHART	DRAWING NO. SD-19007-001	SHEET NO. 1 OF 1	
ANGULAR: $\pm 1/2^\circ$		DRAFT WHERE APPLICABLE MUST REMAIN WITHIN DIMENSIONS			THIS DRAWING CONTAINS INFORMATION THAT IS PROPRIETARY TO MOLEX INCORPORATED AND SHOULD NOT BE USED WITHOUT WRITTEN PERMISSION.			SIZE B