

SHIELDED SMD INDUCTOR DR357-3 SERIES

Features

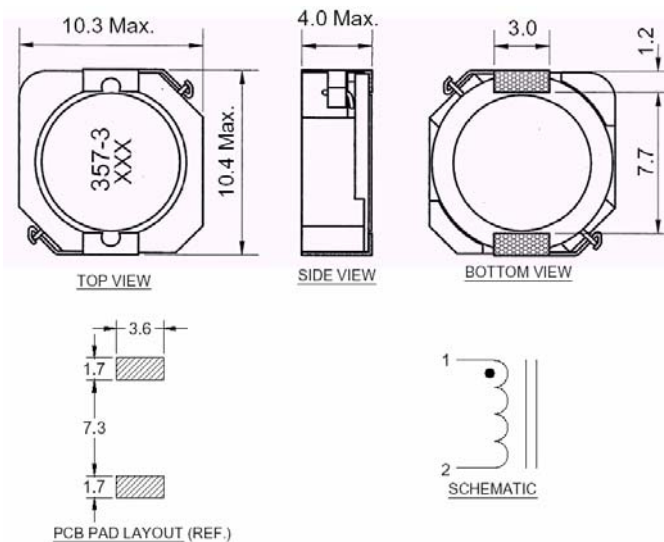
- Low Profile Surface Mount Design
- Flat Top for Pick and Place
- Inductance Range from 1.3 μ H to 330.0 μ H
- Operating Temp. -30°C to +80°C
- Tinned Leads with Leaded Solder is Available (note 6)



ELECTRICAL SPECIFICATIONS AT 25°C

| Part No. | Inductance (μ H) \pm 30% | DCR (Ω) Max. | I _{rated} (A) Max. |
|-------------|------------------------------------|--------------------------|--------------------------------|
| DR357-3-132 | 1.3 | 0.008 | 10.00 |
| DR357-3-252 | 2.5 | 0.010 | 7.50 |
| DR357-3-382 | 3.8 | 0.013 | 6.00 |
| DR357-3-522 | 5.2 | 0.022 | 5.50 |
| DR357-3-702 | 7.0 | 0.027 | 4.80 |
| DR357-3-103 | 10.0 | 0.035 | 4.40 |
| DR357-3-153 | 15.0 | 0.050 | 3.60 |
| DR357-3-223 | 22.0 | 0.073 | 2.90 |
| DR357-3-333 | 33.0 | 0.093 | 2.30 |
| DR357-3-473 | 47.0 | 0.128 | 2.10 |
| DR357-3-683 | 68.0 | 0.213 | 1.50 |
| DR357-3-104 | 100.0 | 0.304 | 1.35 |
| DR357-3-154 | 150.0 | 0.506 | 1.15 |
| DR357-3-224 | 220.0 | 0.756 | 0.92 |
| DR357-3-334 | 330.0 | 1.090 | 0.70 |

MECHANICAL OUTLINES



Notes:

1. All dimensions are shown in millimeter "mm"
2. General tolerance \pm 0.2mm, unless other specified
3. Inductance Test: 100kHz, 0.1Vrms
4. I_{rated} for an approximate 40°C temperature rise
5. I_{rated} for an approximate 35% drop maximum of the initial value
6. For non-RoHS parts, replace DR prefix with 42- (e.g. DR357-3 becomes 42-357-3)
7. Terminal finish is compliant to RoHS requirements. Solder in accordance with J-STD-020C